

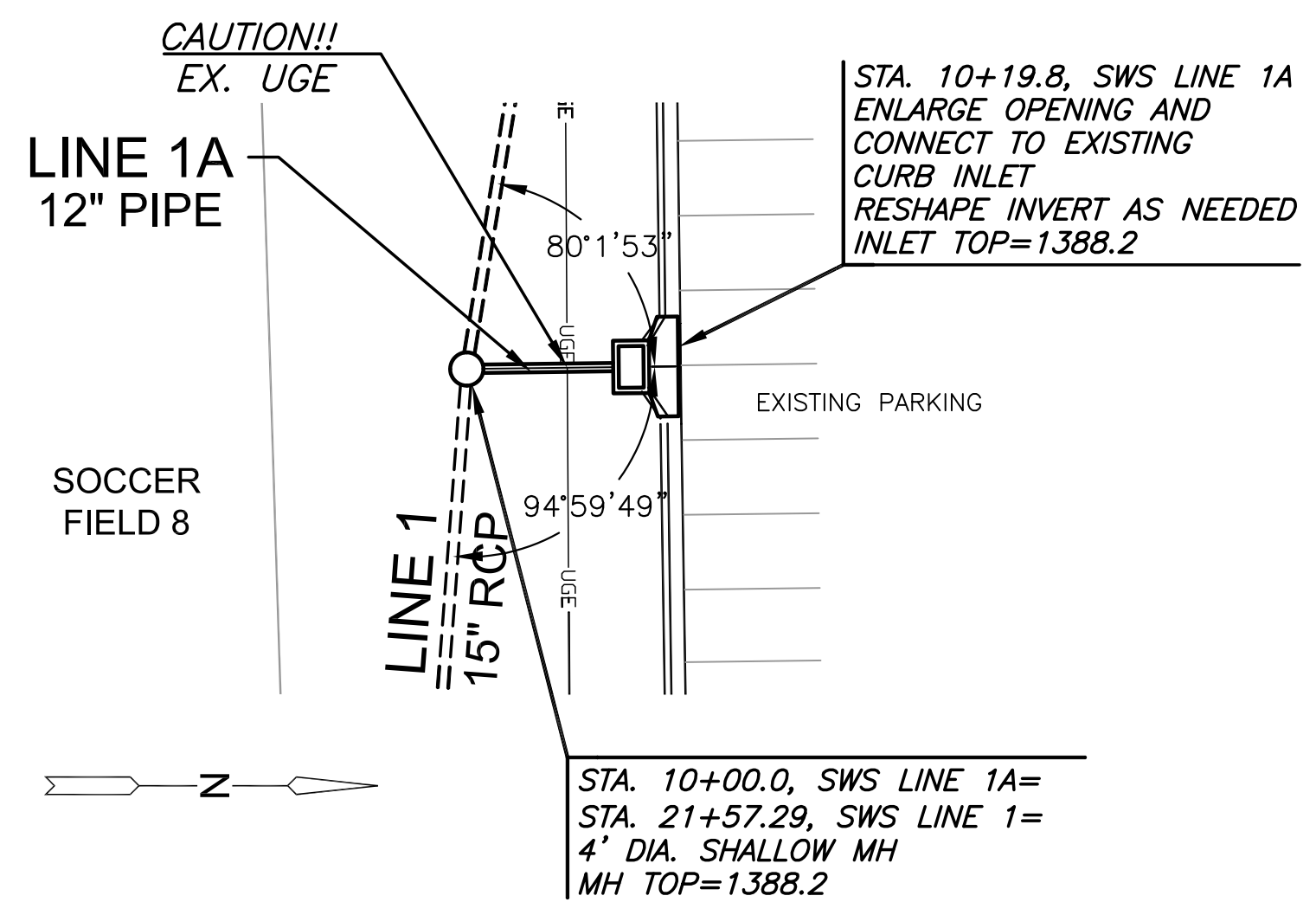


©2018 MKEC Engineering All Rights Reserved
www.mkec.com
These drawings and their contents, including, but not limited to, all concepts, designs, & ideas are the exclusive property of MKEC Engineering (MKEC), and may not be used or reproduced in any way without the express consent of MKEC.

SWS LINE 1A, 1B, & 1C

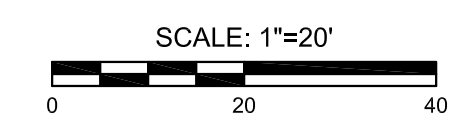
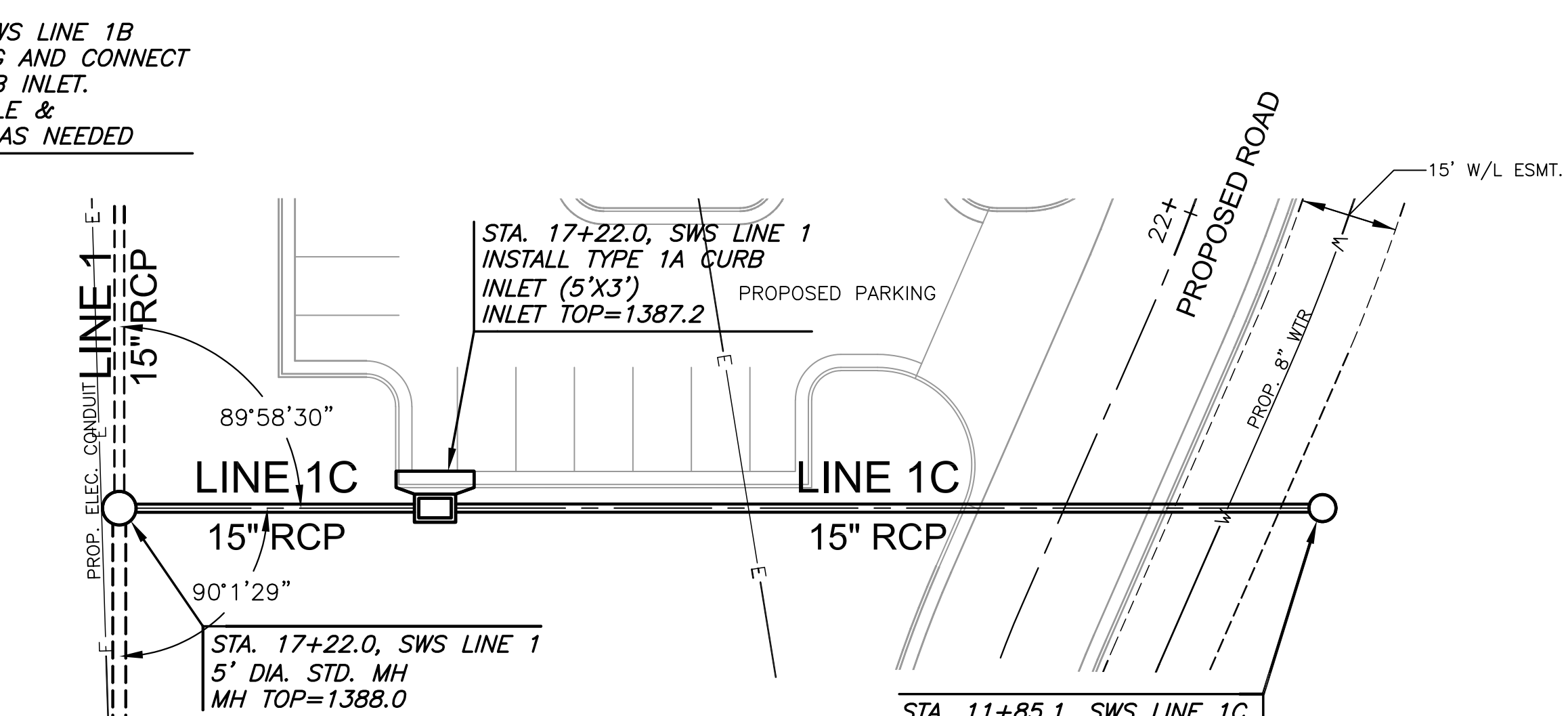
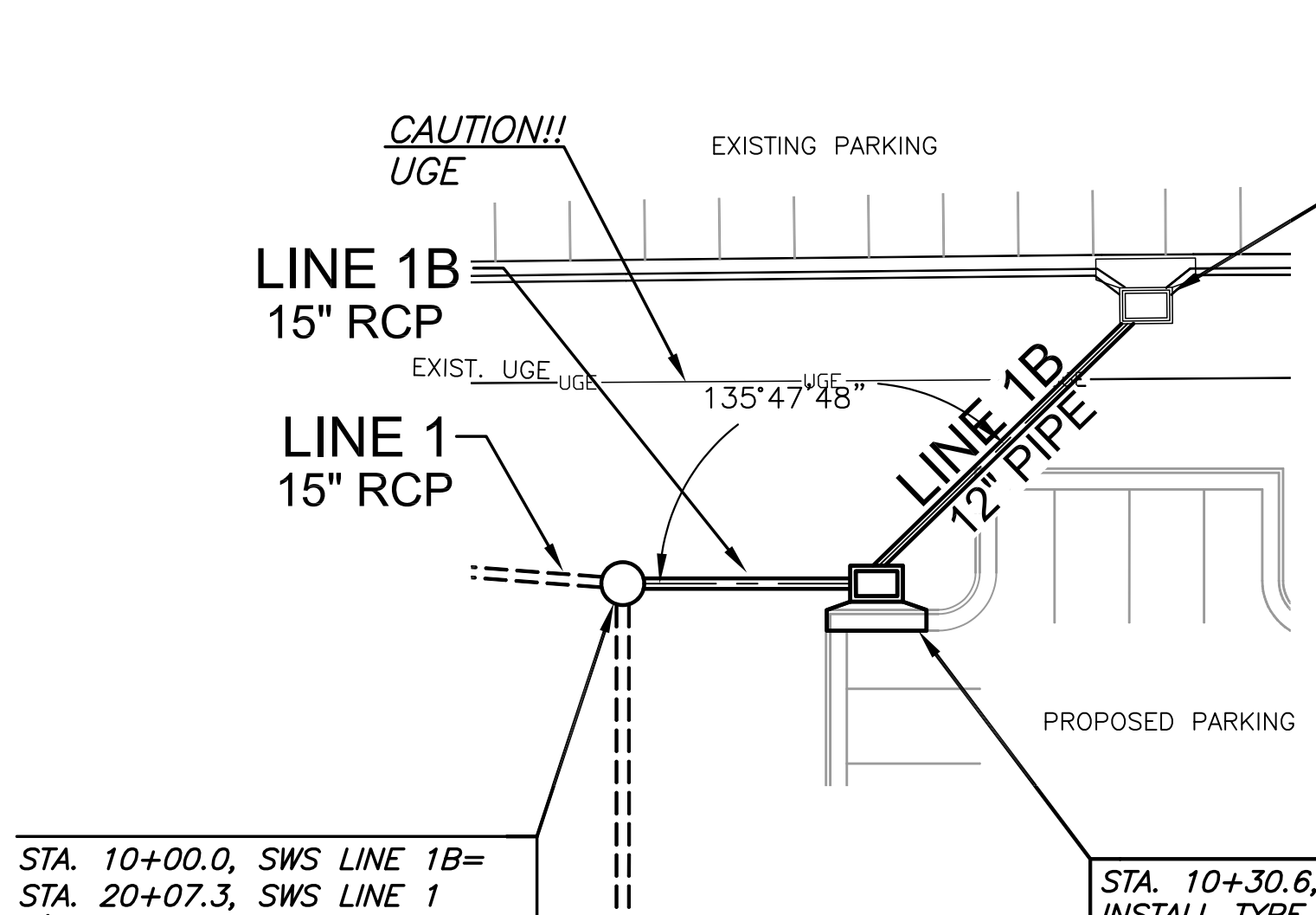
PROJECT NO.	170567
DATE	01-10-18
SCALE	1"=20'
DESIGNED	MAB
DRAWN	CRM
CHECKED	MAB
NO.	0
ISSUED FOR CONST.	1-10-18
REVISION	DATE

J:\PROJECTS\2017\1701010567_COW_STRYKER_170567_CAD\SHS\105_CIVIL\SWS\170567-06-2003.DWG
 PLOTTED: Wednesday, January 10, 2018 @ 09:04AM

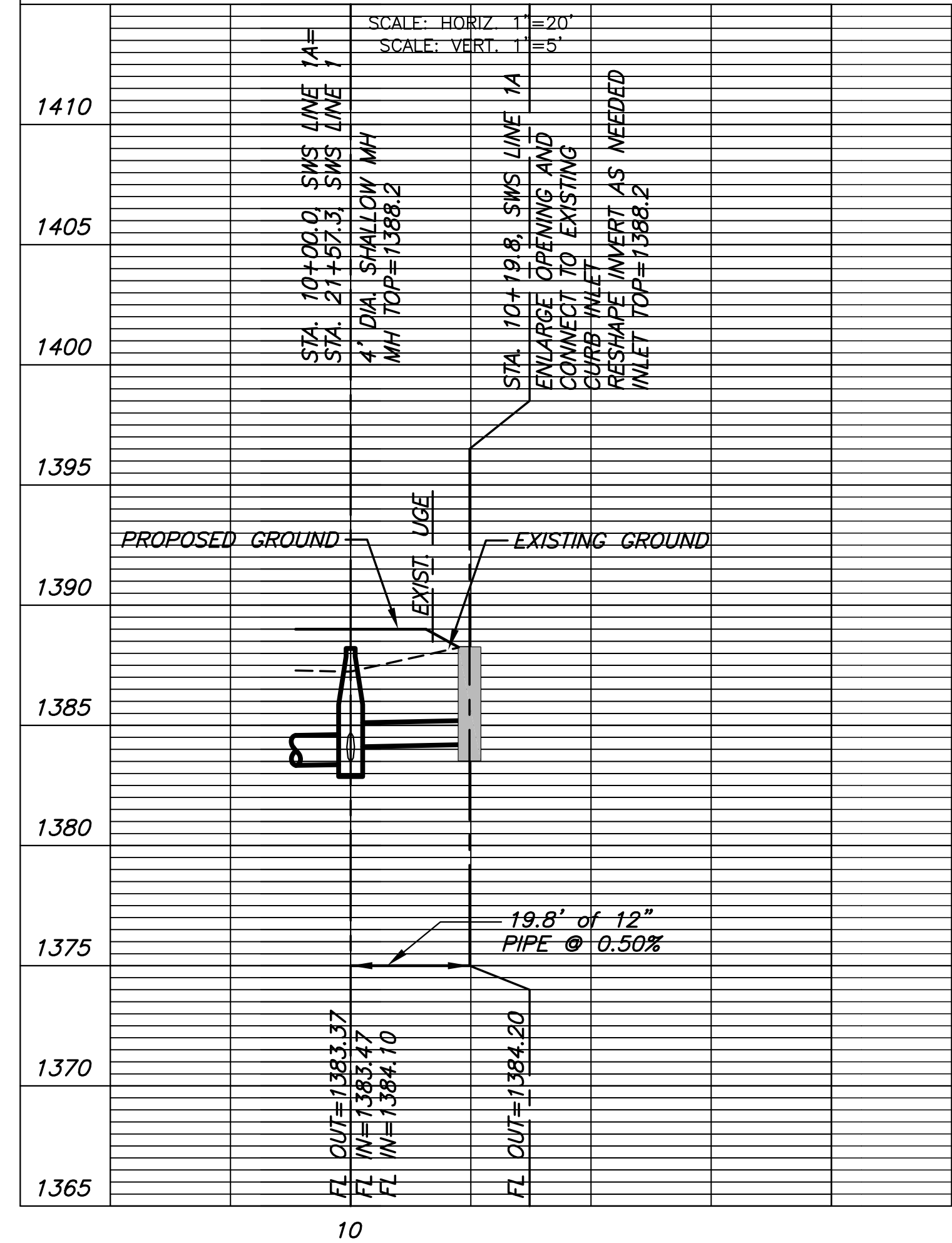


NOTES:
CONTRACTOR TO VERIFY LOCATION AND ELEVATION OF EXISTING UTILITIES LINE PRIOR TO CONSTRUCTION.

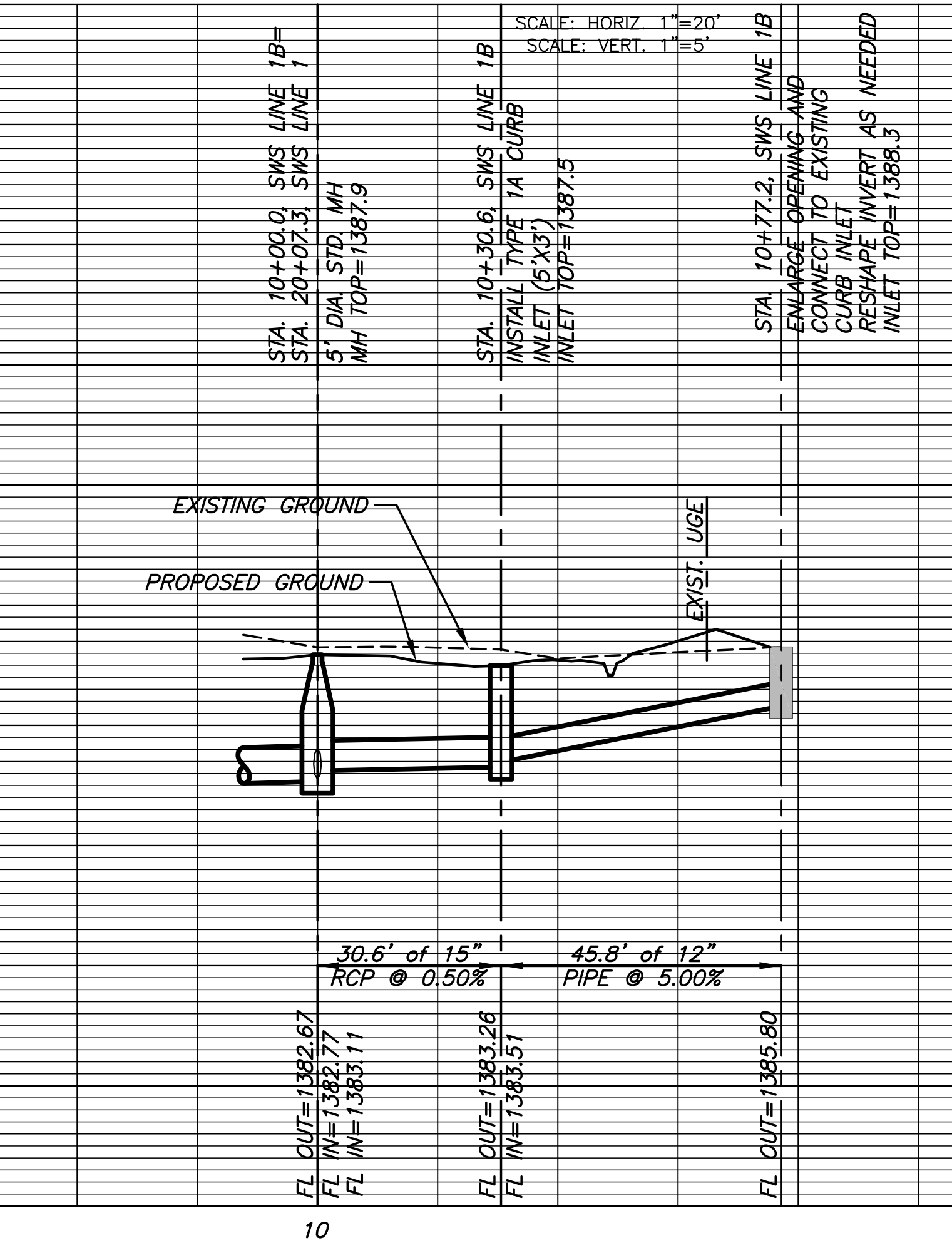
PROPOSED ELECTRICAL CONDUIT RUNS AS SHOWN ARE SCHEMATIC IN NATURE. REFERENCE ELECTRICAL SHEETS FOR INSTALLATION DETAILS.



PLAN SWS LINE 1A
PROFILE SWS LINE 1A



PLAN SWS LINE 1B
PROFILE SWS LINE 1B



PLAN SWS LINE 1C
PROFILE SWS LINE 1C

