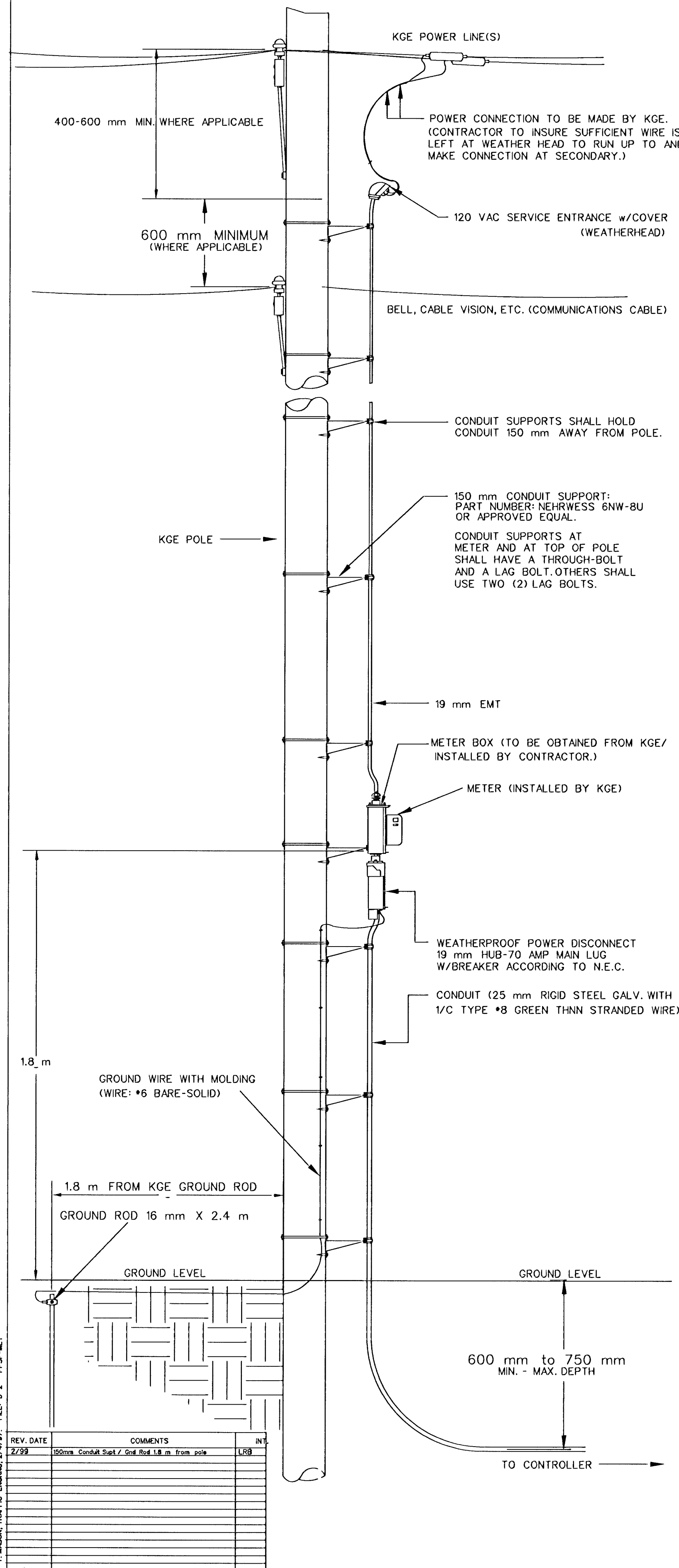
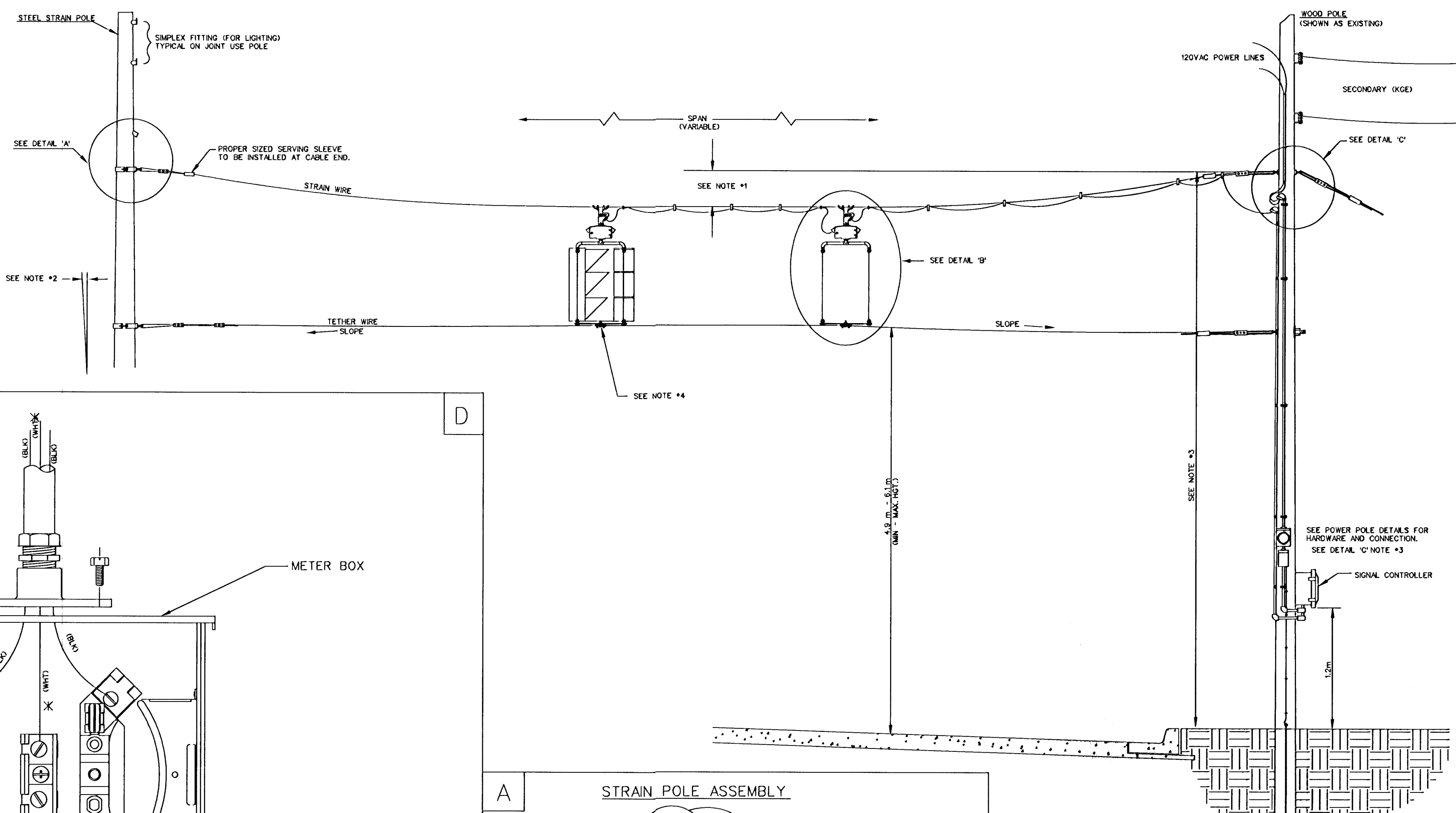


**POWER POLE DETAILS**



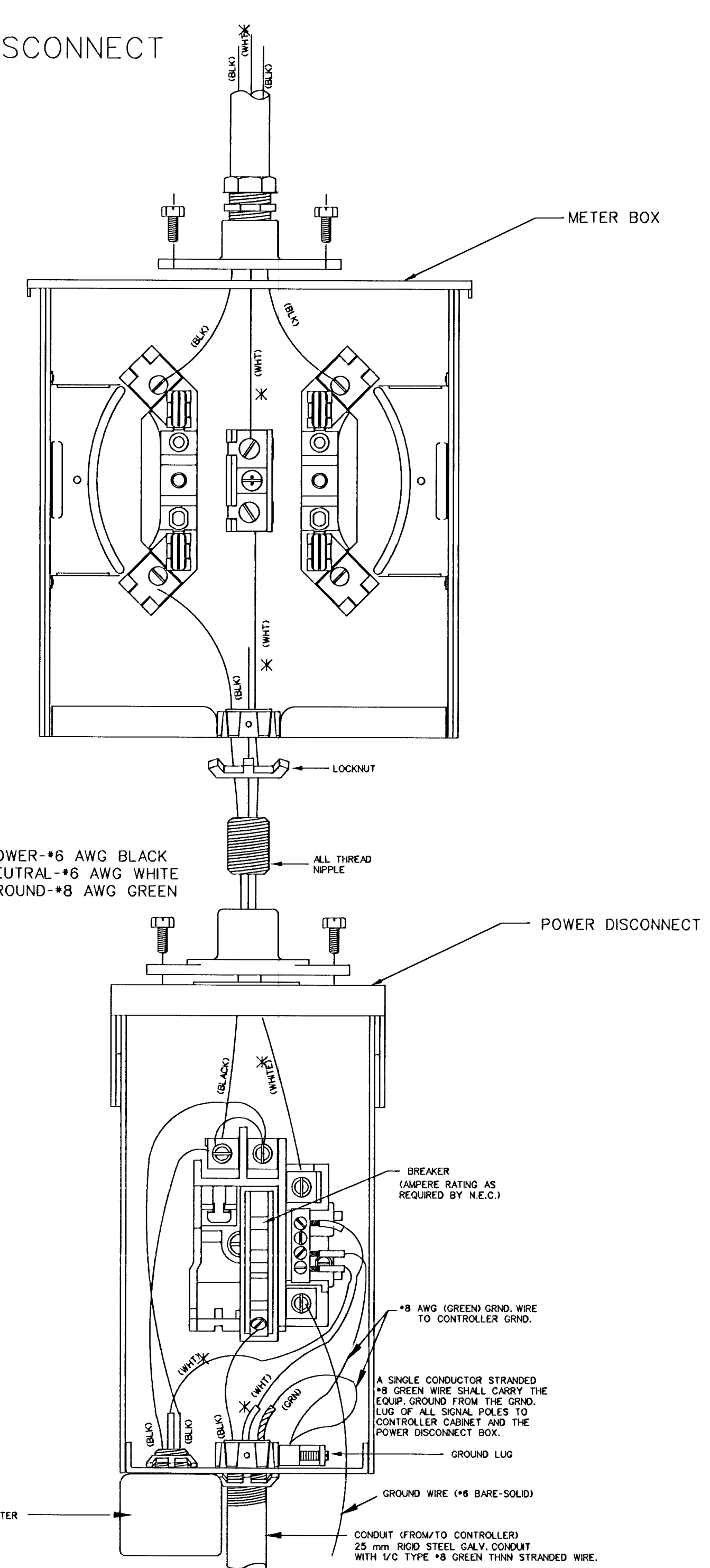
**SPANWIRE ASSEMBLY DETAILS**

1. MAX. SAG = 5% OF SPAN.
2. STANDARD BACKRAKE =  $1.5\frac{3}{4}$
3. HEIGHT OF STRAIN WIRE HOOK-UP TO BE DETERMINED BY FIELD ENGINEER. TRAFFIC SIGNAL CABLE TO BE SECURED TO STRAIN WIRE WEATHERABLE NYLON CABLE HANGERS (300 mm CTR.) DETAIL 'B'
4. TETHER CLAMP TO BE DESIGNED TO RELEASE UNDER 'HIGH WIND LOAD' TO PERMIT SIGNAL 'FREE SWING'.

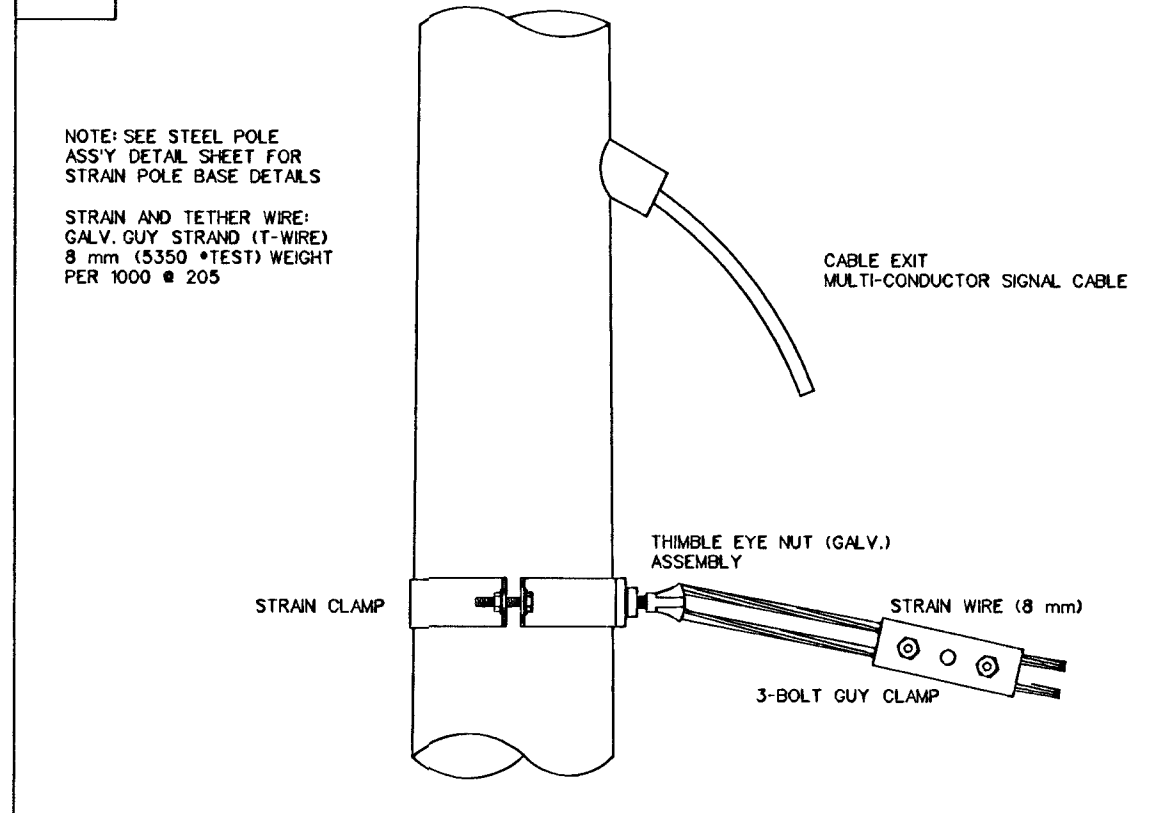


**METER BOX & POWER DISCONNECT DETAILS**

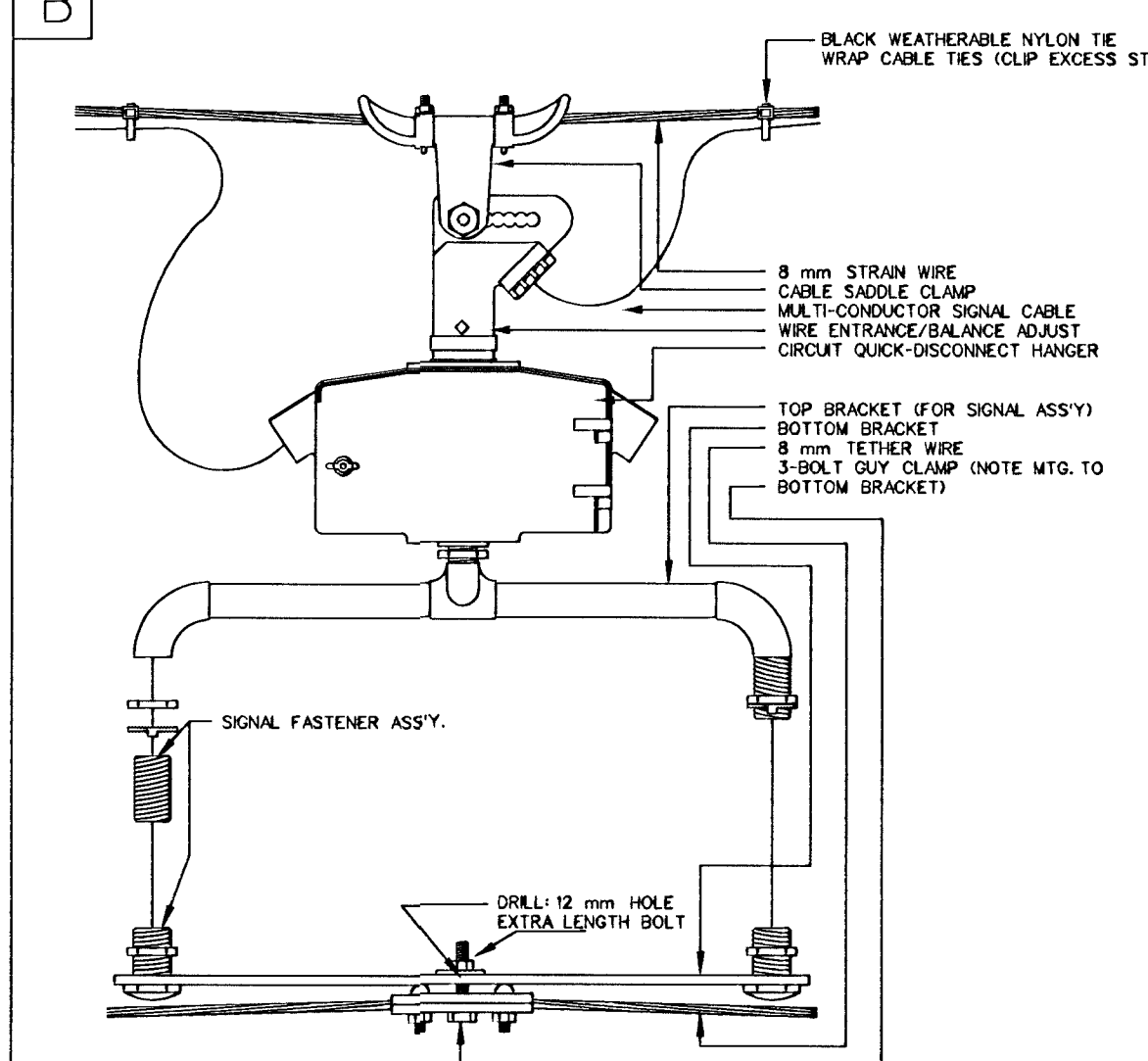
\* TO BE MARKED WITH WHITE TAPE



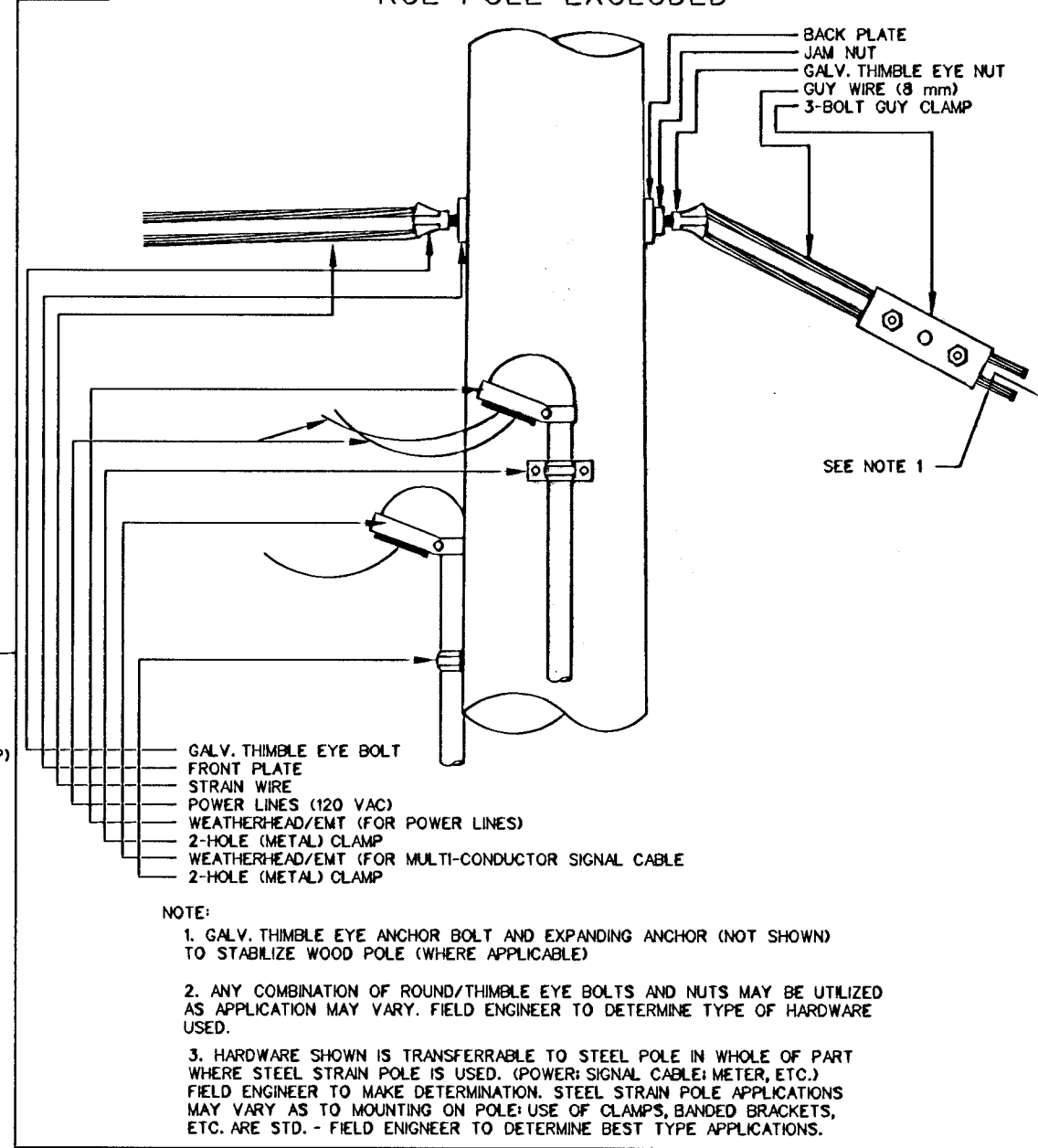
**A STRAIN POLE ASSEMBLY**



**B SIGNAL BRACKET ASSEMBLY DETAILS**



**C WOOD POLE ASSEMBLY DETAILS KGE POLE EXCLUDED**



**THE CITY OF WICHITA**

**POWER POLE AND SPAN ASSEMBLY DETAILS**

NEIL CABLE P.E. - CITY ENGINEER

PROJECT NUMBER XXX-XXXX INDEX CODE XXXXXX

CITY ENGINEER'S OFFICE  
CITY HALL - SEVENTH FLOOR  
455 NORTH MAIN STREET  
WICHITA, KANSAS 67202  
(316) 268-4501  
(316) 268-4114 FAX

DATE MAR 96 SHEET 57 OF 85