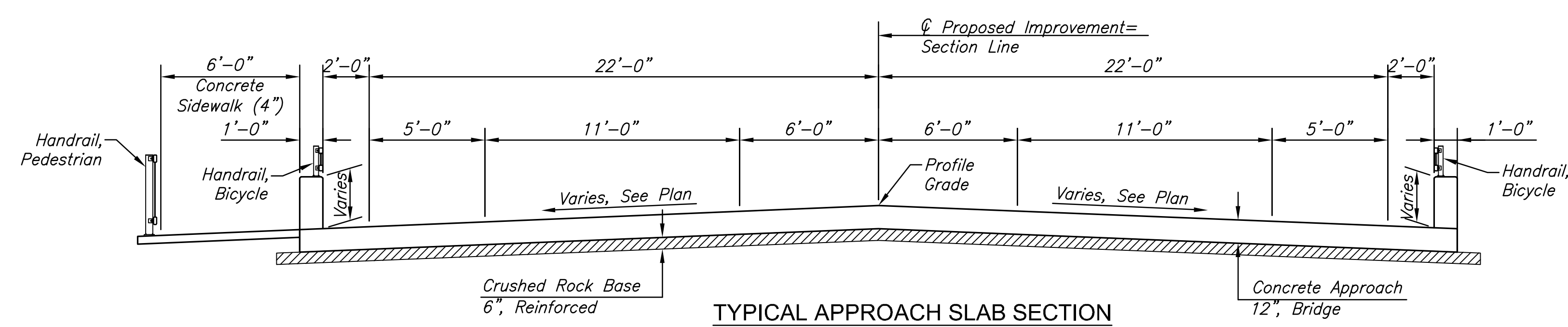
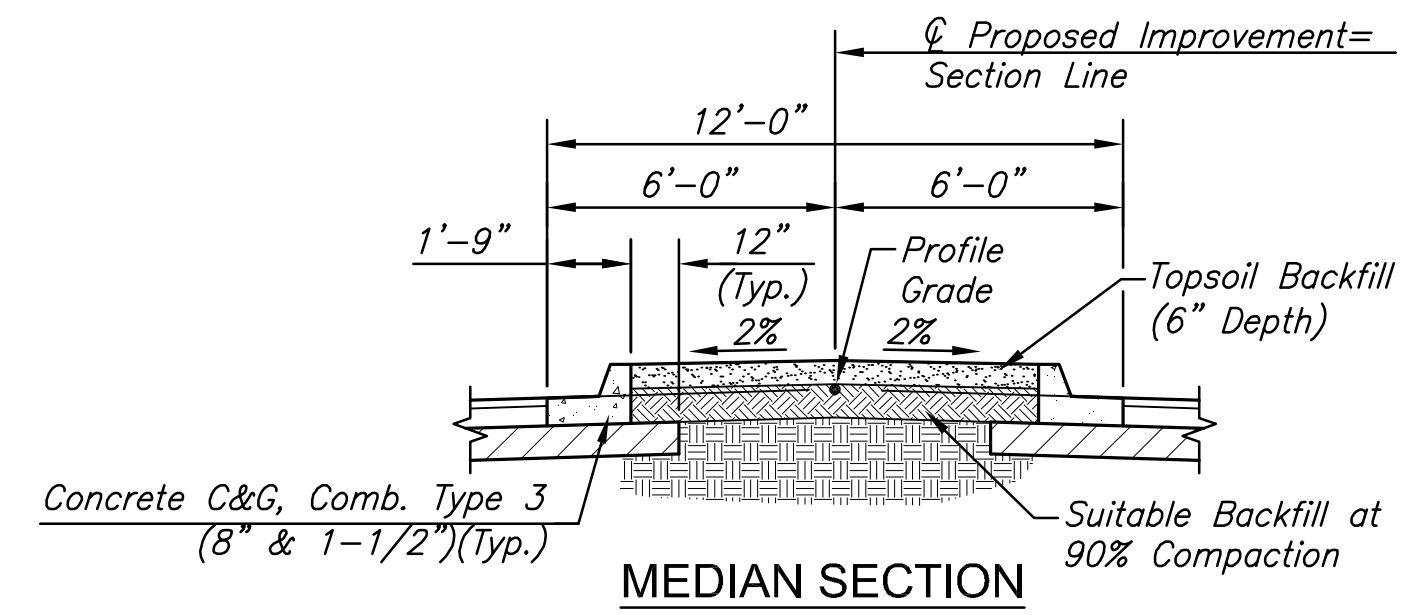


STATE	PROJECT NO.	YEAR	SHEET NO.	TOTAL SHEETS
KANSAS	87 N-0615-01	2017	4	183



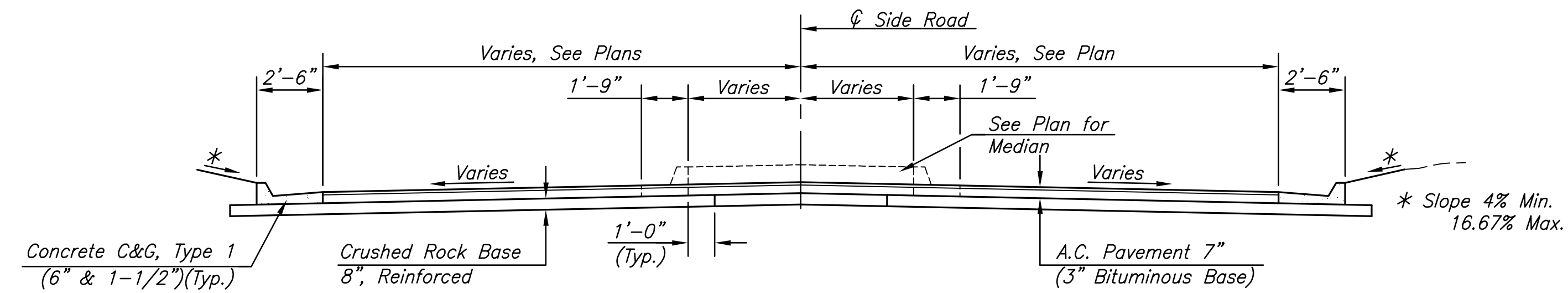
TYPICAL APPROACH SLAB SECTION

Sta. 22+77.93 to Sta. 23+27.09
Sta. 24+30.03 to Sta. 24+79.18



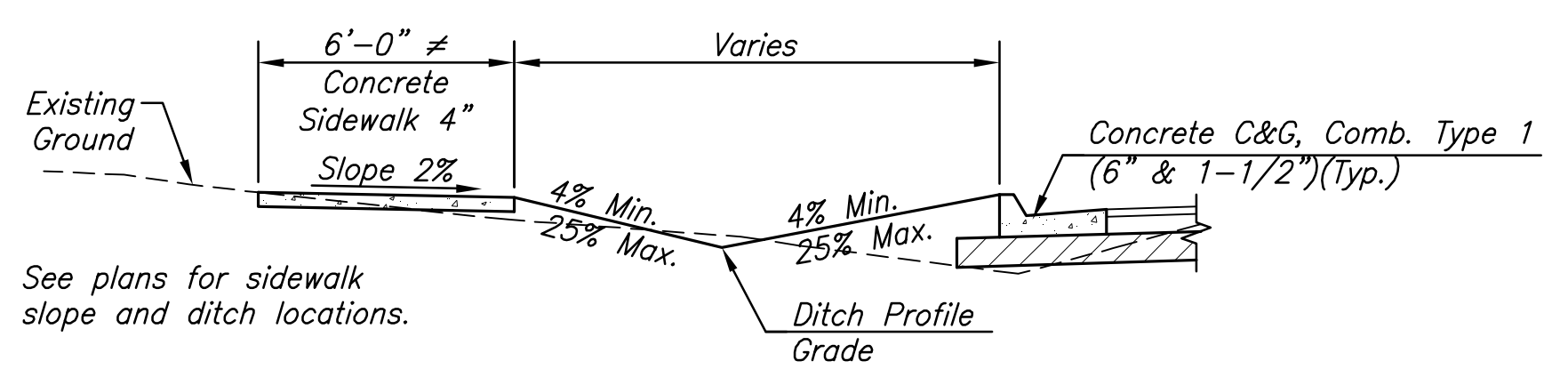
MEDIAN SECTION

Sta. 12+32.00 to Sta. 15+29.00
Sta. 17+51.00 to Sta. 18+93.00
Sta. 21+15.00 to Sta. 22+77.93
Sta. 24+79.18 to Sta. 26+96.00
Sta. 29+30.00 to Sta. 31+92.00
Sta. 35+66.00 to Sta. 36+16.00
Sta. 36+28.00 to Sta. 37+00.00
Sta. 43+20.00 to Sta. 44+57.00
Sta. 49+88.00 to Sta. 52+74.00
Sta. 55+85.00 to Sta. 57+25.00

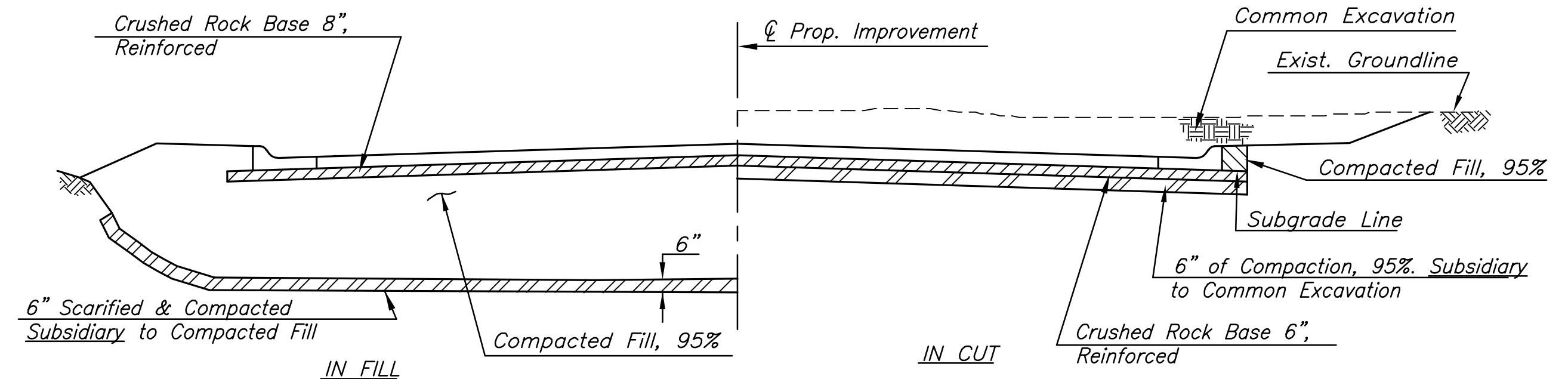


TYPICAL SECTION - SIDE ROADS

Rocky Creek Pkwy. - Sta. 33+79.62 (Median)
Reeds Cove - Sta. 48+02.39 (Median)
Shadybrook - Sta. 54+56.58 (Median)
127th Street N. Ct. - Sta. 57+63.06 (Median)



TYPICAL SECTION WITH DITCH BEHIND CURB



FOUNDATION TREATMENT AND COMPACTION OF EARTHWORK

STREET IMPROVEMENTS FOR
127TH STREET EAST
 FROM 13TH STREET NORTH TO 21ST STREET NORTH

©2017 MKEC Engineering All Rights Reserved
 These drawings and their contents, including, but not limited to, all concepts, designs, & ideas are the exclusive property of MKEC Engineering (MKEC), and may not be used or reproduced in any way without the express consent of MKEC.

TYPICAL SECTIONS

PROJECT NO.	472-85158	
DATE	11/29/17	
SCALE	NTS	
DESIGNED	DRAWN	CHECKED
JRA	WNJ	JRA

NO.	REVISION	DATE

SHEET NO.

4 OF 183

J:\PROJECTS\2017\1401040280 - COM_127THE_13TH TO 21ST\05-CIVIL\CAO\PAV\4285158.DWG
 PLOTTED: Wednesday, November 29, 2017 @ 02:10PM