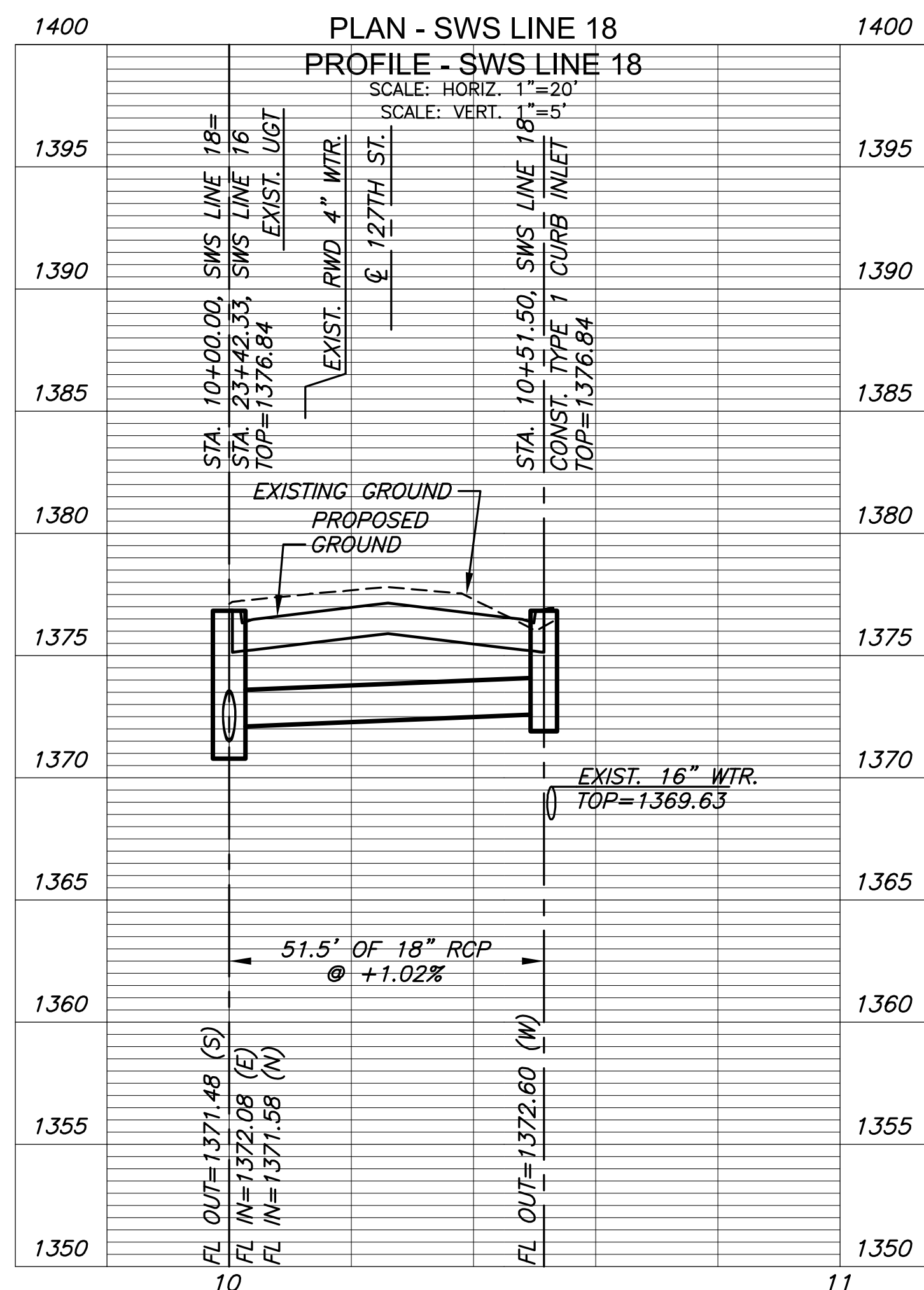
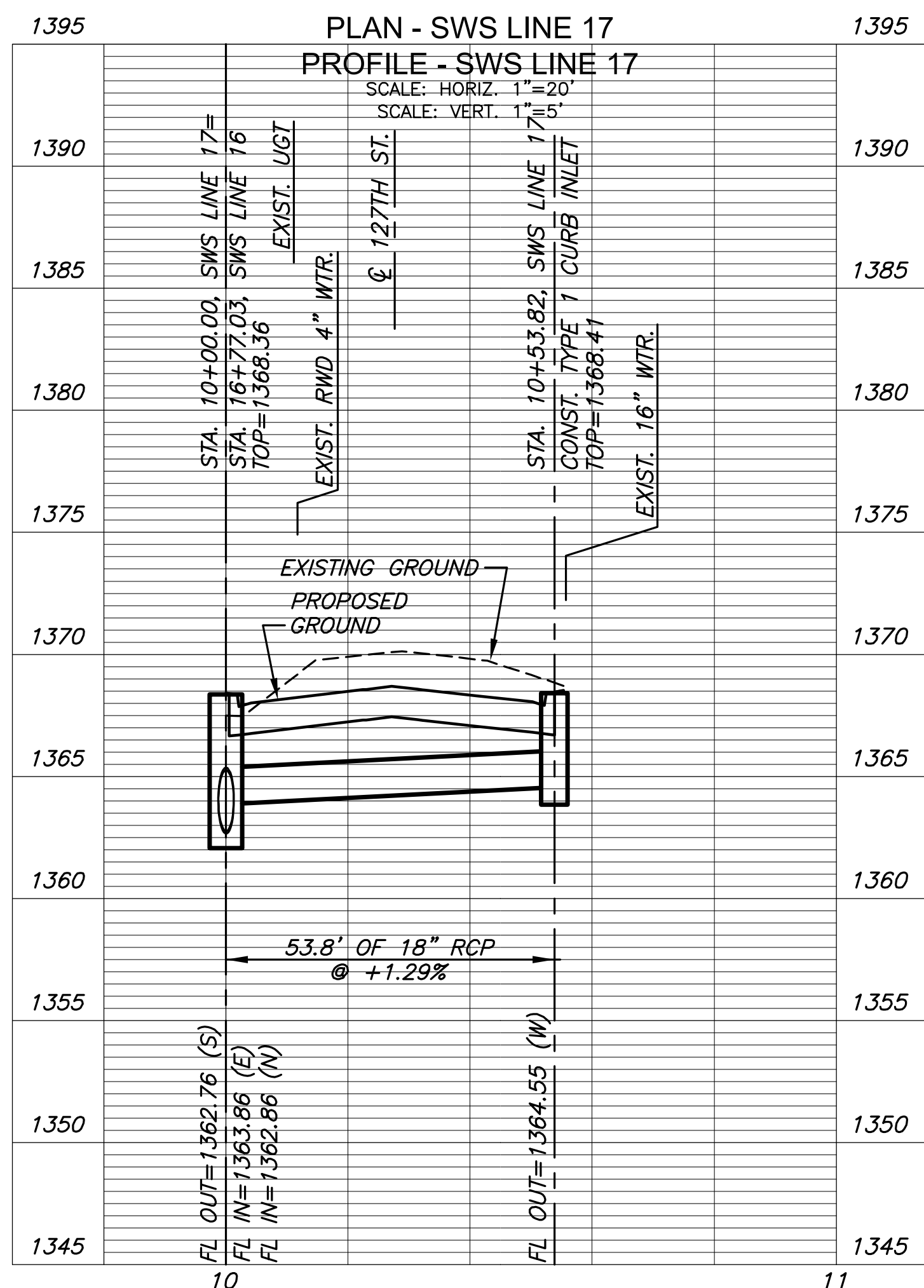
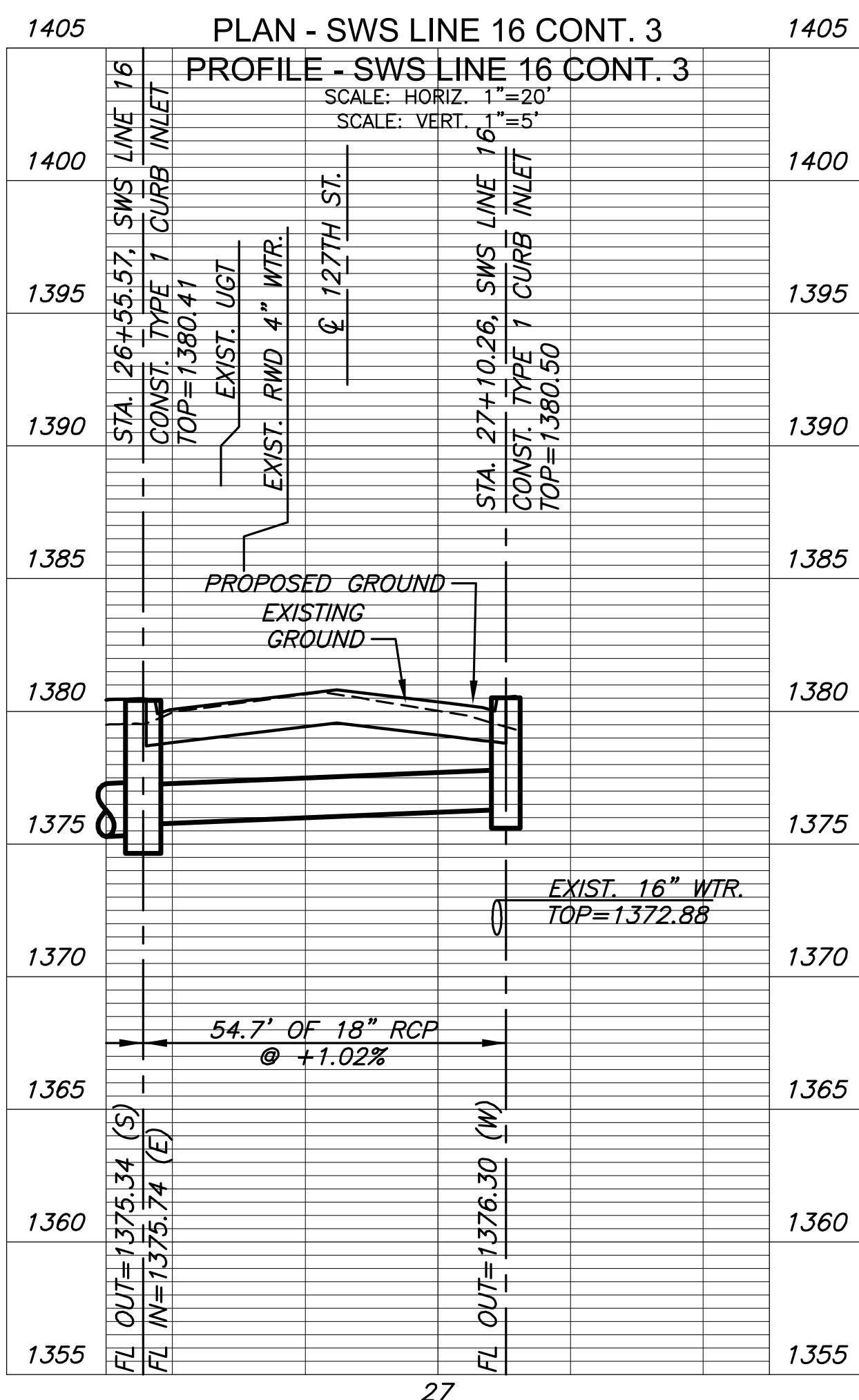
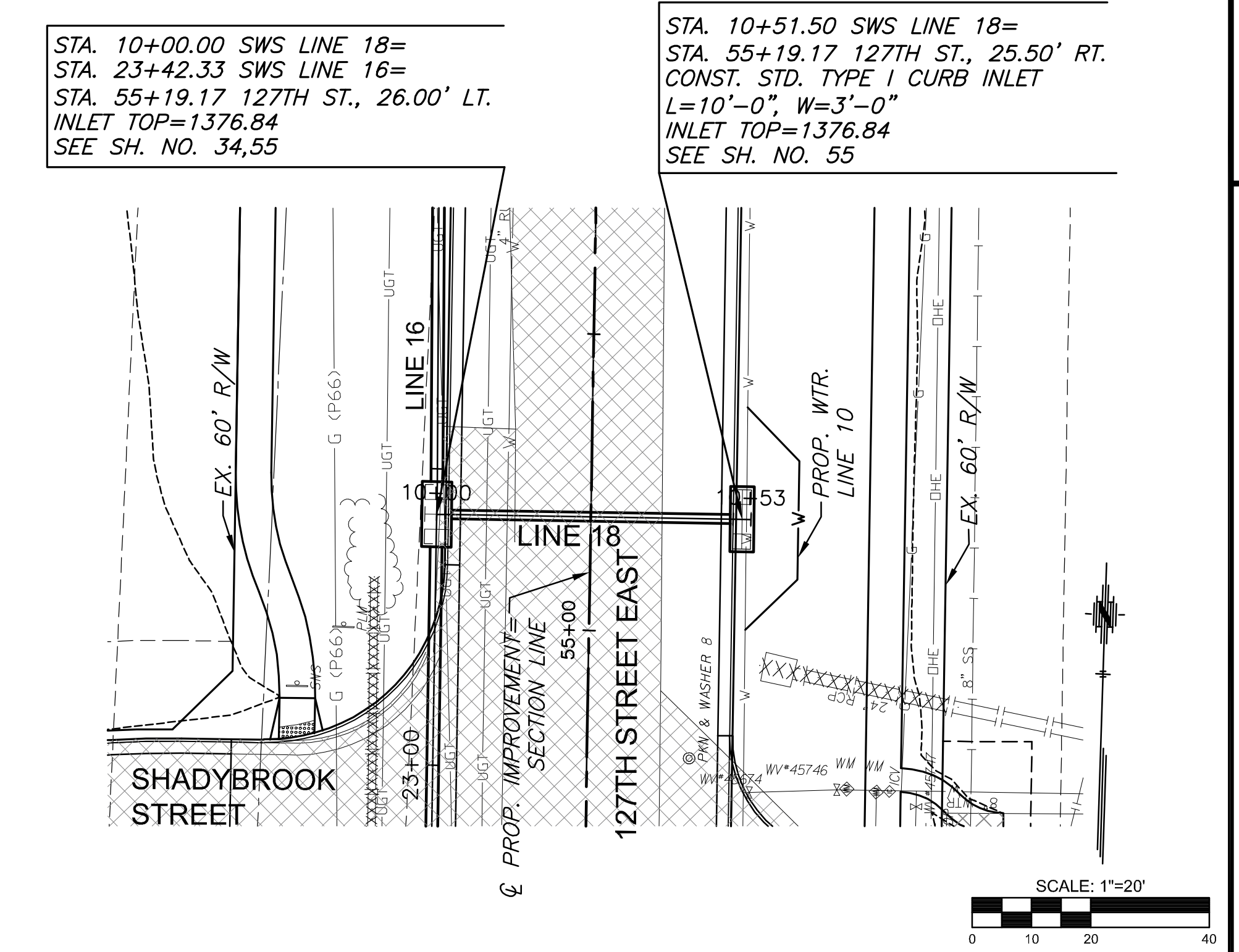
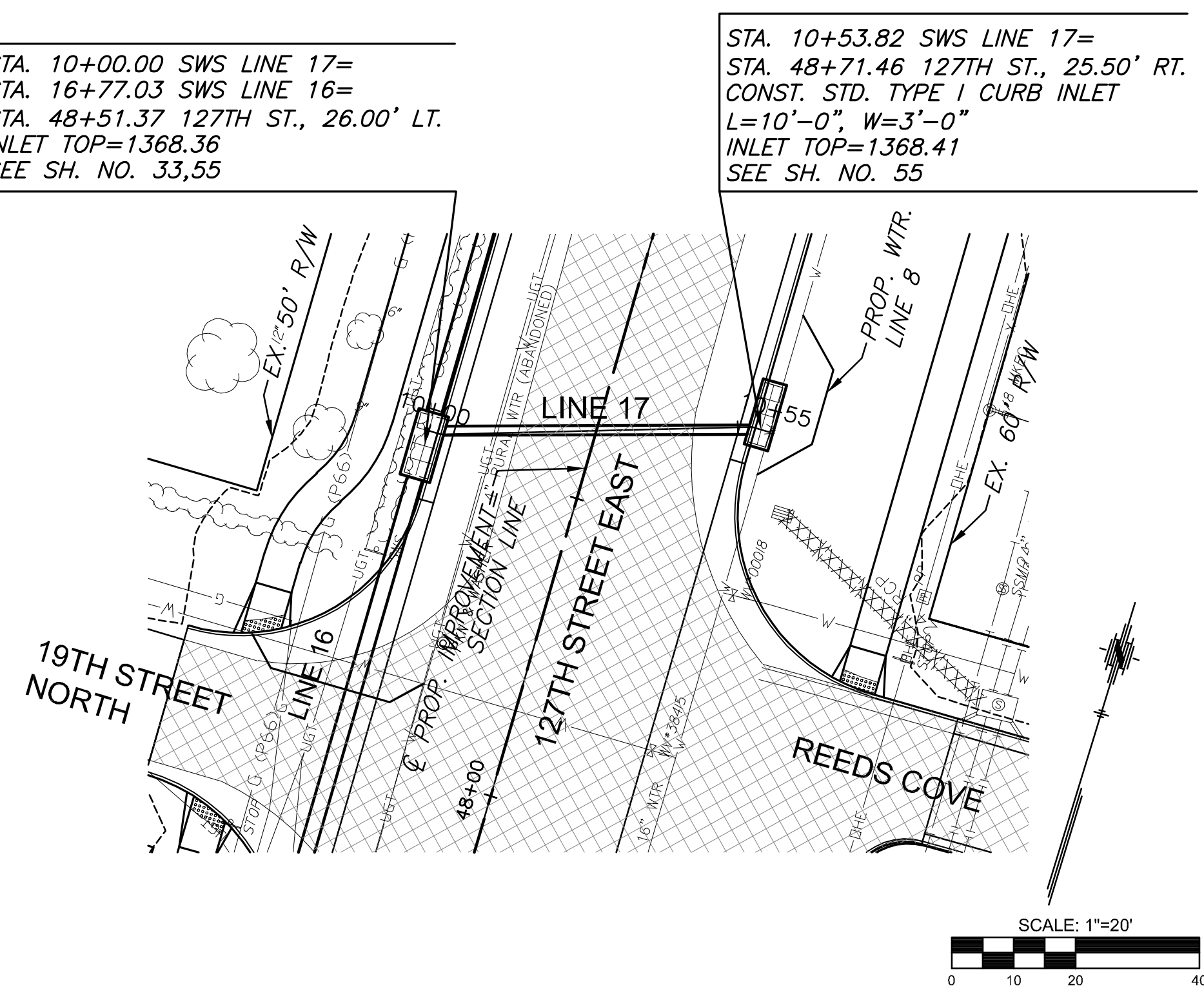
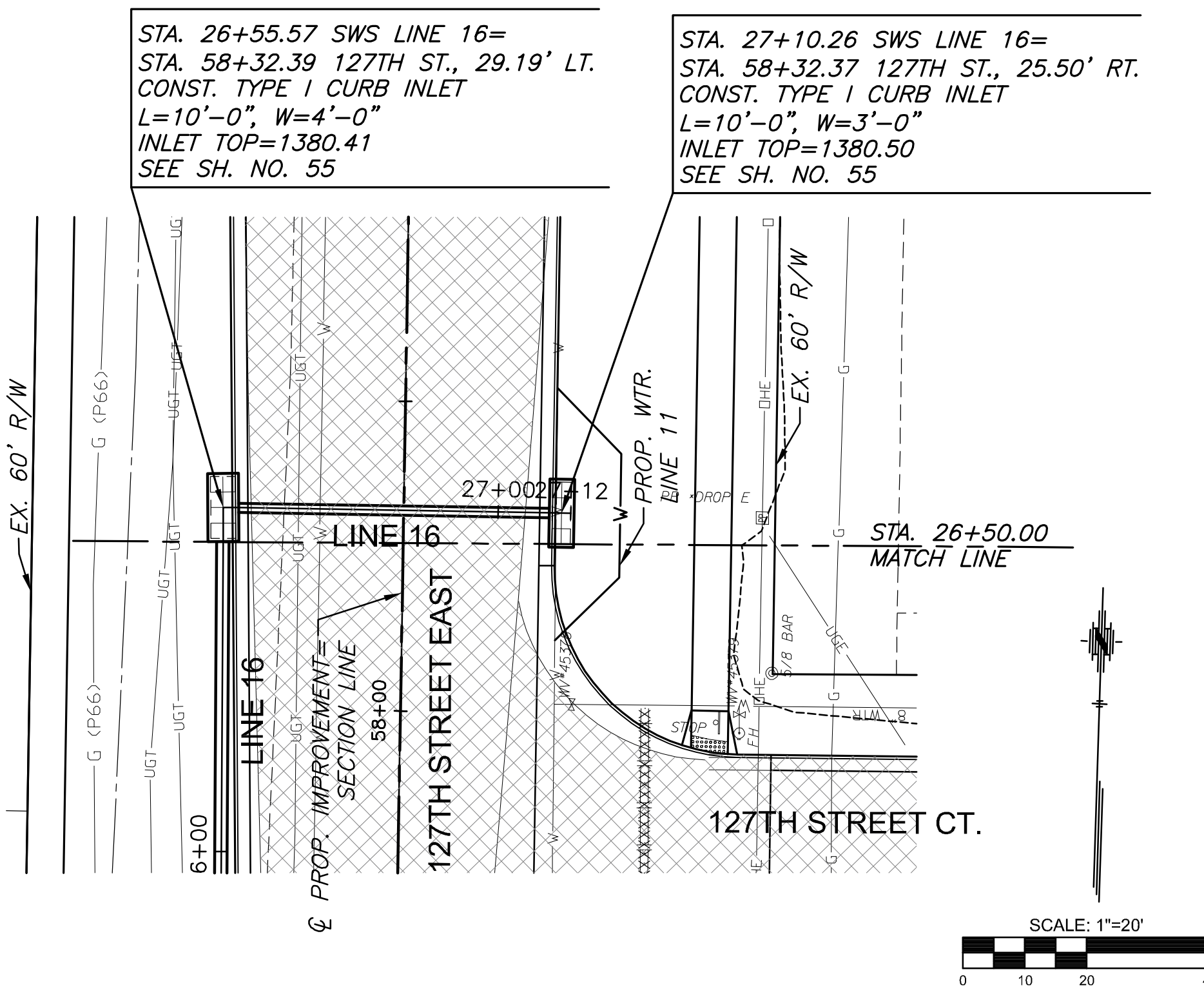


PLOTTED: Wednesday, November 29, 2017 @ 02:40PM

STATE	PROJECT NO.	YEAR	SHEET NO.	TOTAL SHEETS
KANSAS	87 N-0615-01	2017	35	183



STREET IMPROVEMENTS FOR

127TH STREET EAST

FROM 13TH STREET NORTH TO 21ST STREET NORTH

©2017 MKEC Engineering All Rights Reserved
These drawings and their contents, including but not limited to, all concepts, designs, & ideas are the exclusive property of MKEC Engineering (MKEC), and may not be used or reproduced in any way without the express consent of MKEC.

"STORM SEWER PLAN & PROFILE LINES 16, 17 & 18"

PROJECT NO.	472-85158	
DATE	11/29/17	
SCALE	1"=20'	
DESIGNED	JRA	
DRAWN	WNJ	
CHECKED	JRA	
NO.	REVISION	DATE

SHEET NO. 35 OF 183