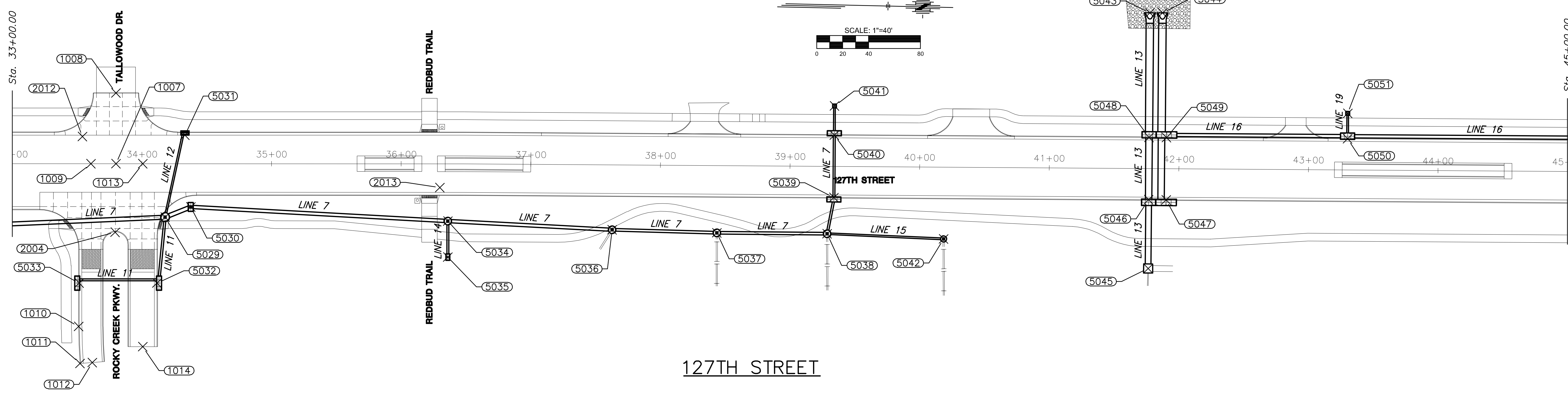
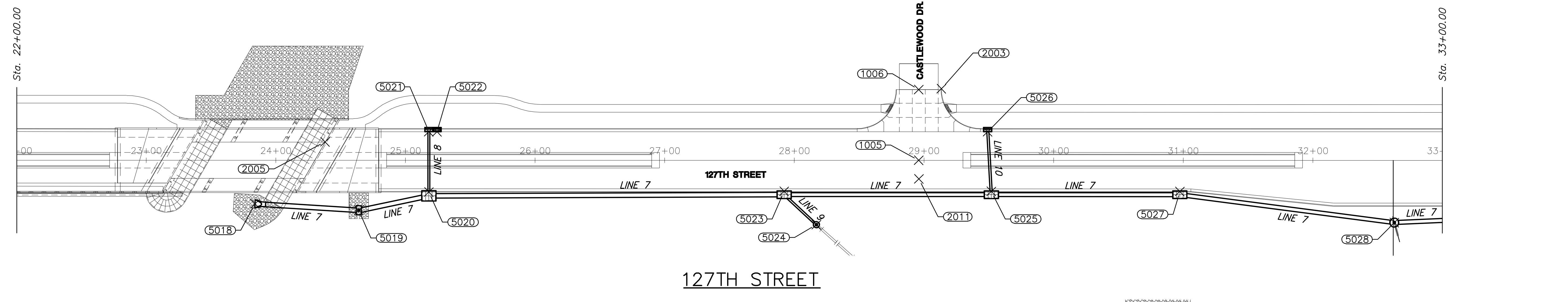
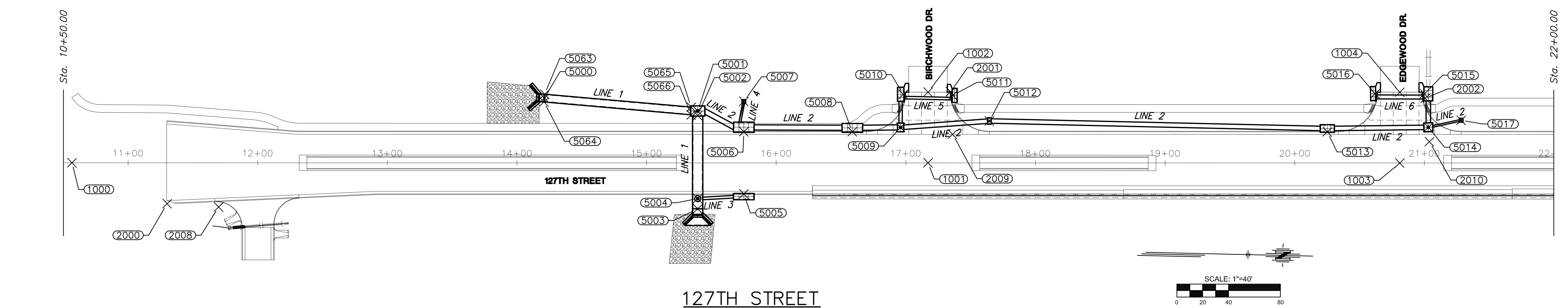


| STATE | PROJECT NO. | YEAR | SHEET NO. | TOTAL SHEETS |
|--------|--------------|------|-----------|--------------|
| KANSAS | 87 N-0615-01 | 2017 | 36 | 183 |



PLOTTED: Wednesday, November 29, 2017 @ 02:33PM
 J:\PROJECTS\2017\140104290 - COW_127TH E 13TH TO 21ST\05-CIVIL\CA\BUBBLE\14290_BUBBLE_MAP_SWS.DWG



STREET IMPROVEMENTS FOR
127TH STREET EAST
 FROM 13TH STREET NORTH TO 21ST STREET NORTH

©2017 MKEC Engineering
 All Rights Reserved
 www.mkec.com
 These drawings and their contents, including, but not limited to, all concepts, designs, & ideas are the exclusive property of MKEC Engineering (MKEC), and may not be used or reproduced in any way without the express consent of MKEC.

SWS BUBBLE MAP

| | | |
|-------------|-----------|---------|
| PROJECT NO. | 472-85158 | |
| DATE | 11/29/17 | |
| SCALE | 1"=40' | |
| DESIGNED | DRAWN | CHECKED |
| JRA | RAM | JRA |
| NO. | REVISION | DATE |
| | | |
| SHEET NO. | | |
| 36 OF 183 | | |