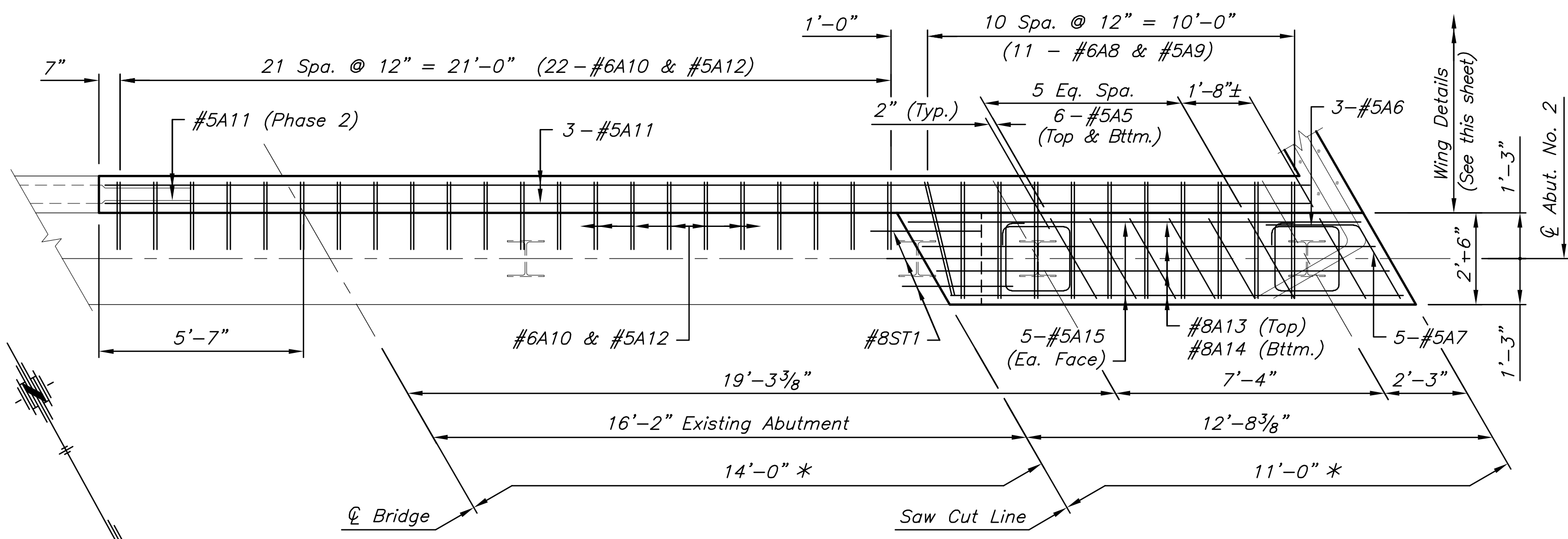
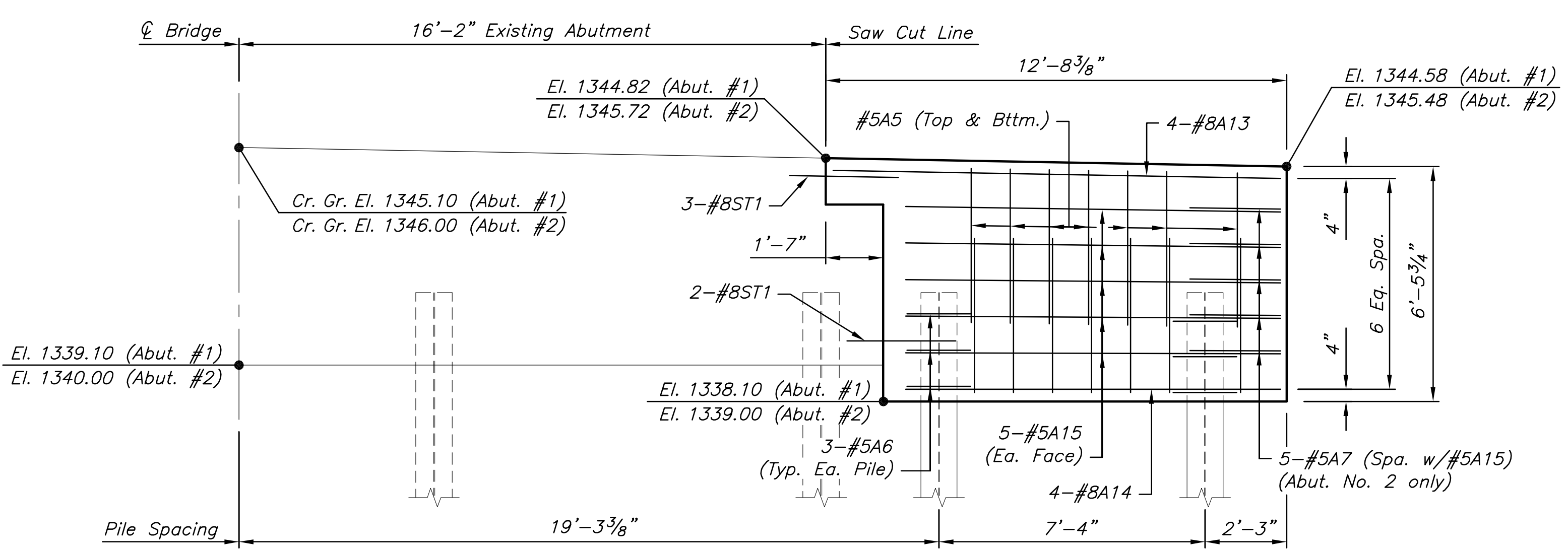


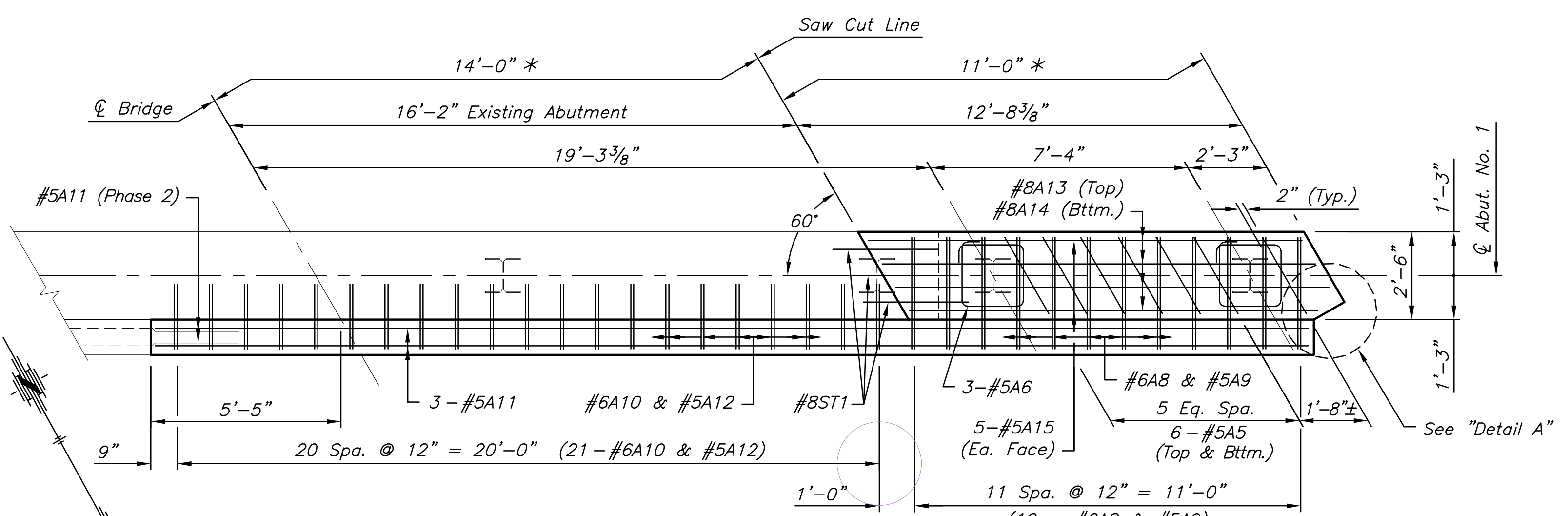
J:\PROJECTS\2017\1401040290 - COW_127THE_13TH TO 21ST STS-CIVIL\CAO\BRIDGE\14262006.DWG
 PLOTTED: Wednesday, November 29, 2017 @ 03:09PM



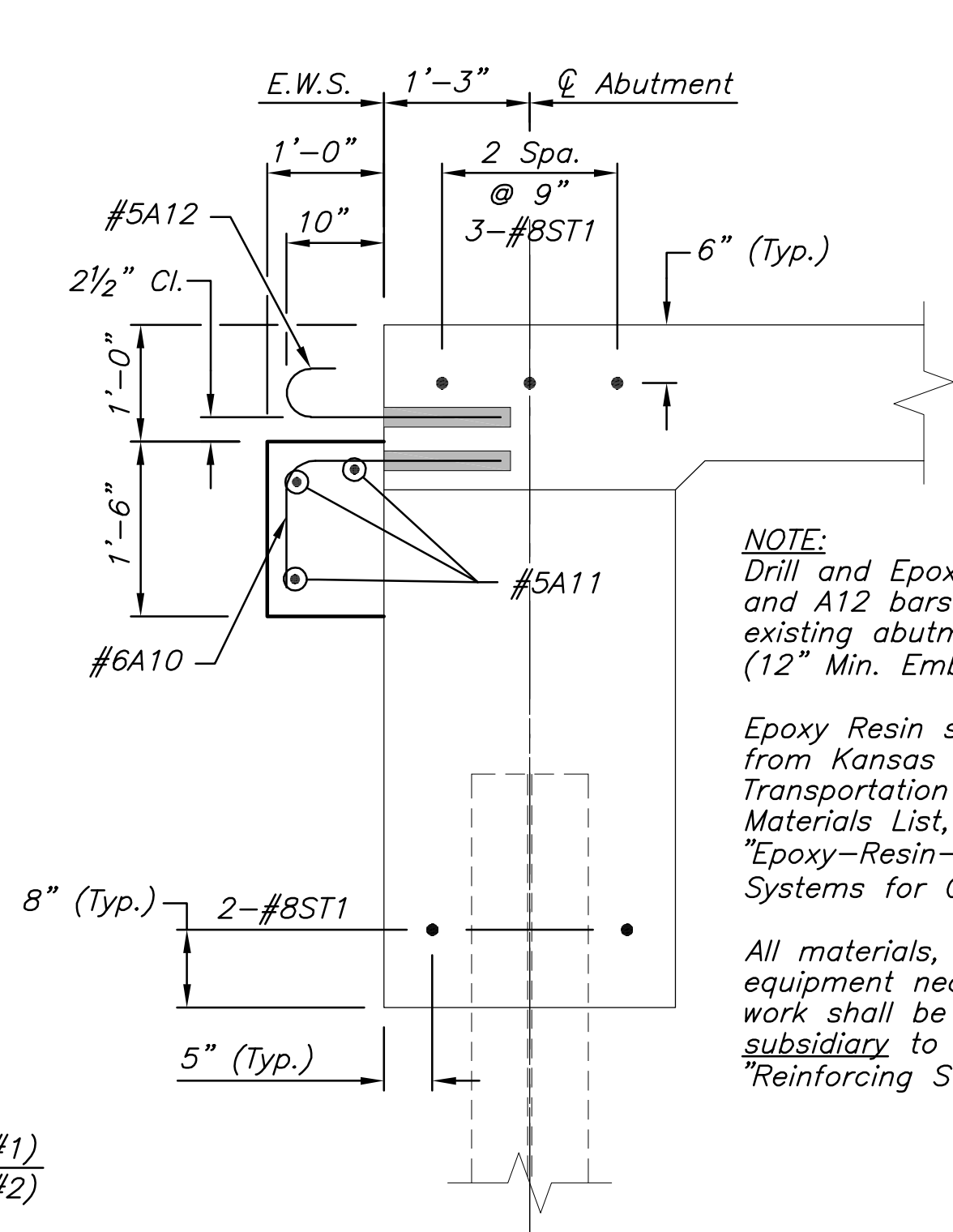
PLAN - ABUTMENT NO. 2 EXTENSION
* Measured perpendicular to \varnothing Bridge



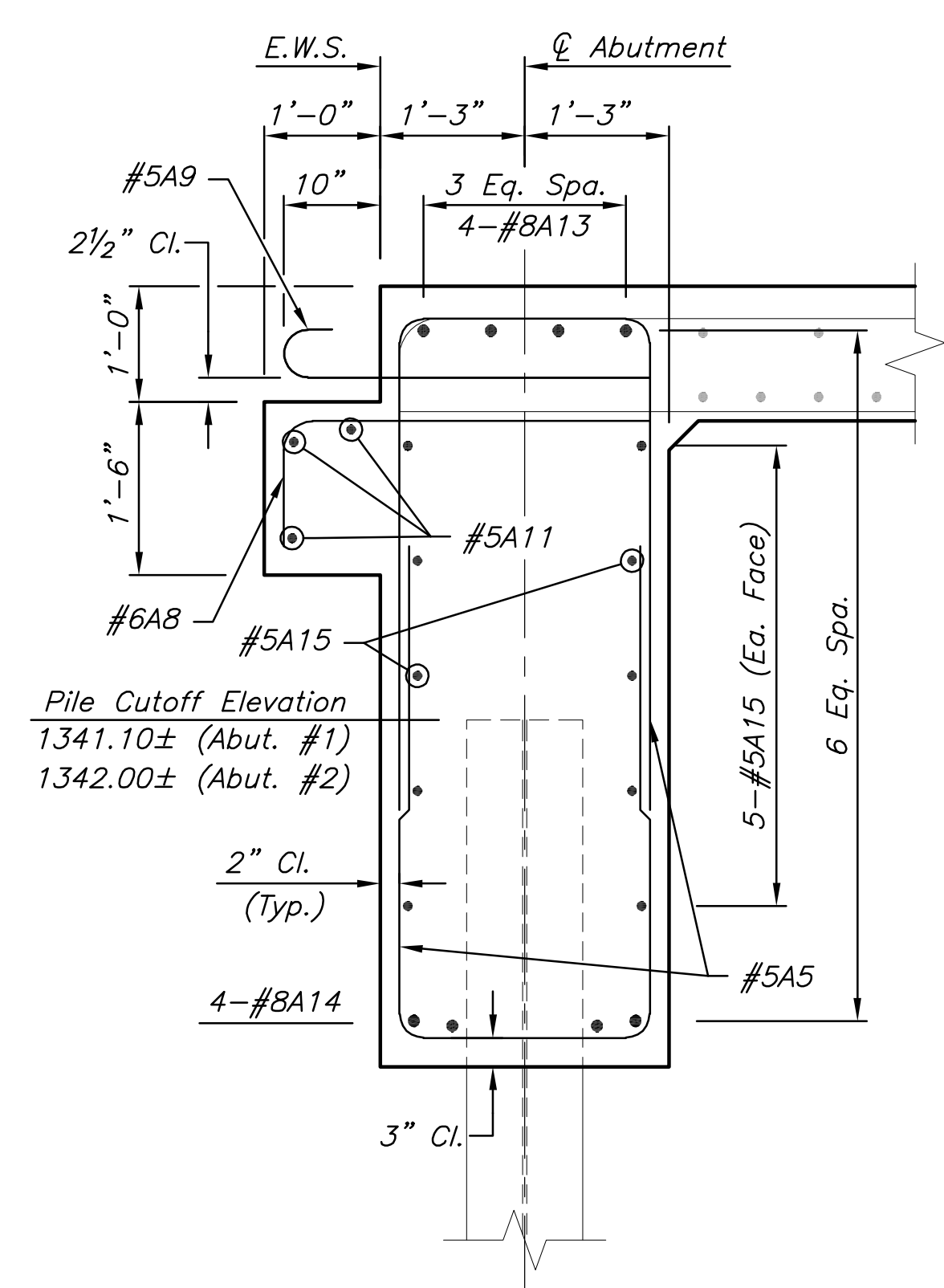
ELEVATION - ABUTMENT EXTENSION
Dimensioned along \varnothing Abutment



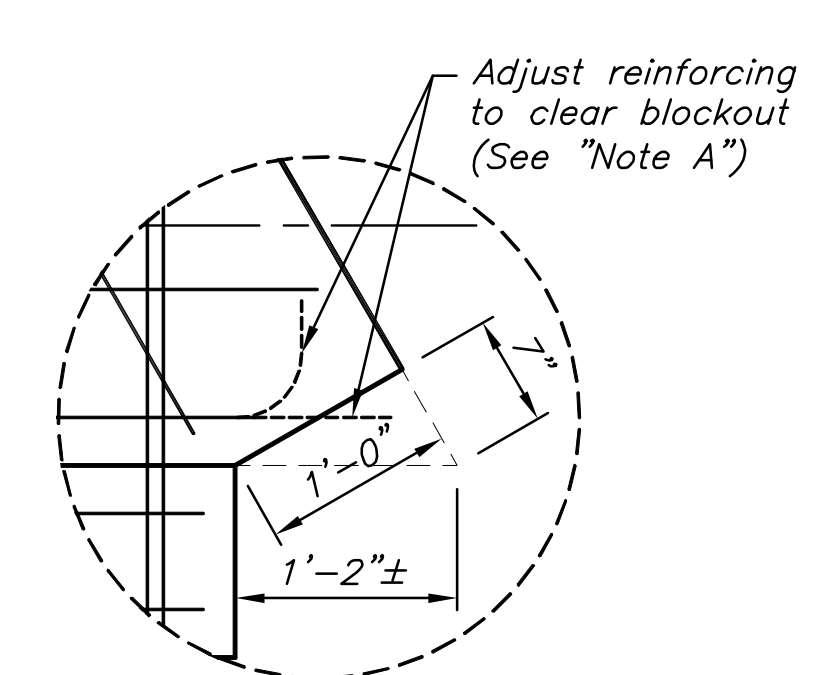
PLAN - ABUTMENT NO. 1 EXTENSION
* Measured perpendicular to \varnothing Bridge



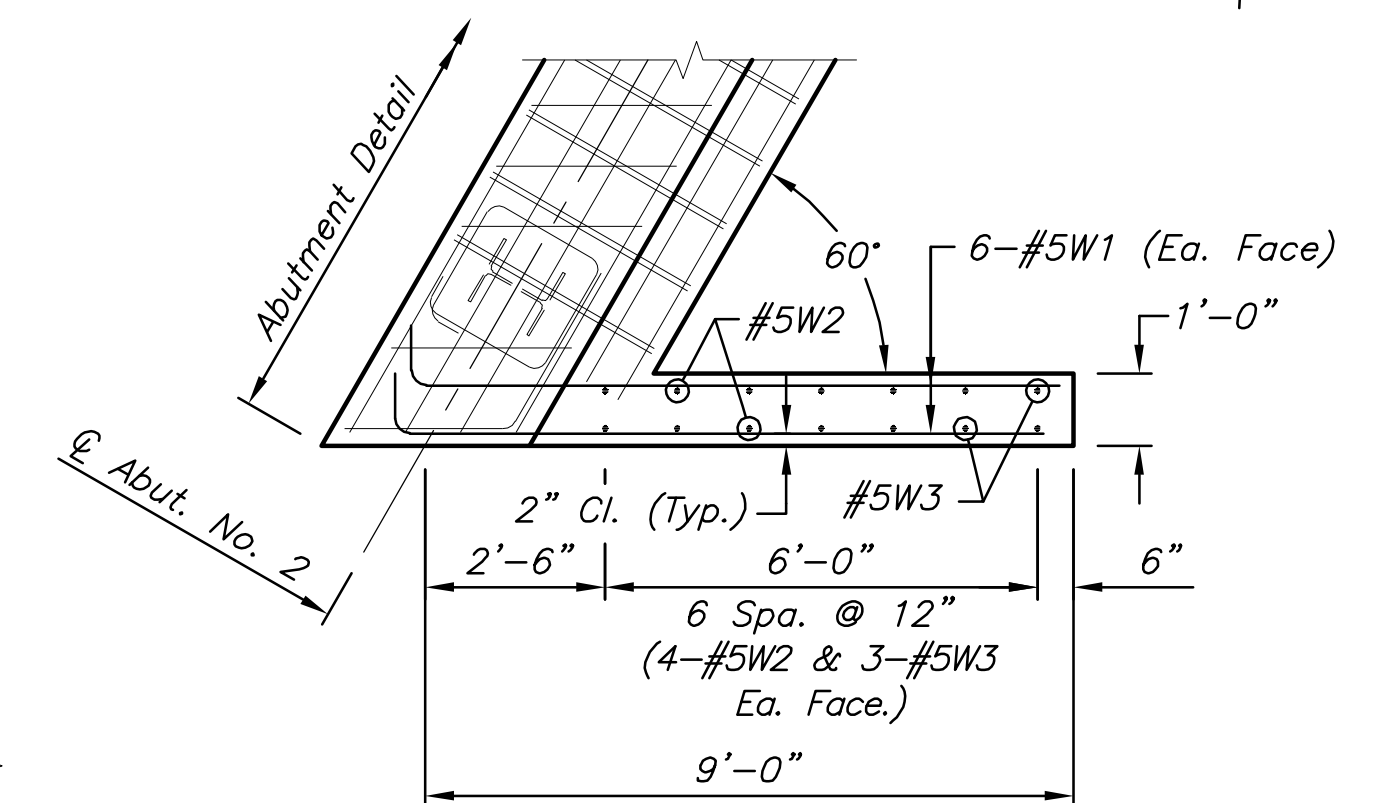
EXISTING ABUTMENT END ELEVATION
Shown Perpendicular to \varnothing Abutment



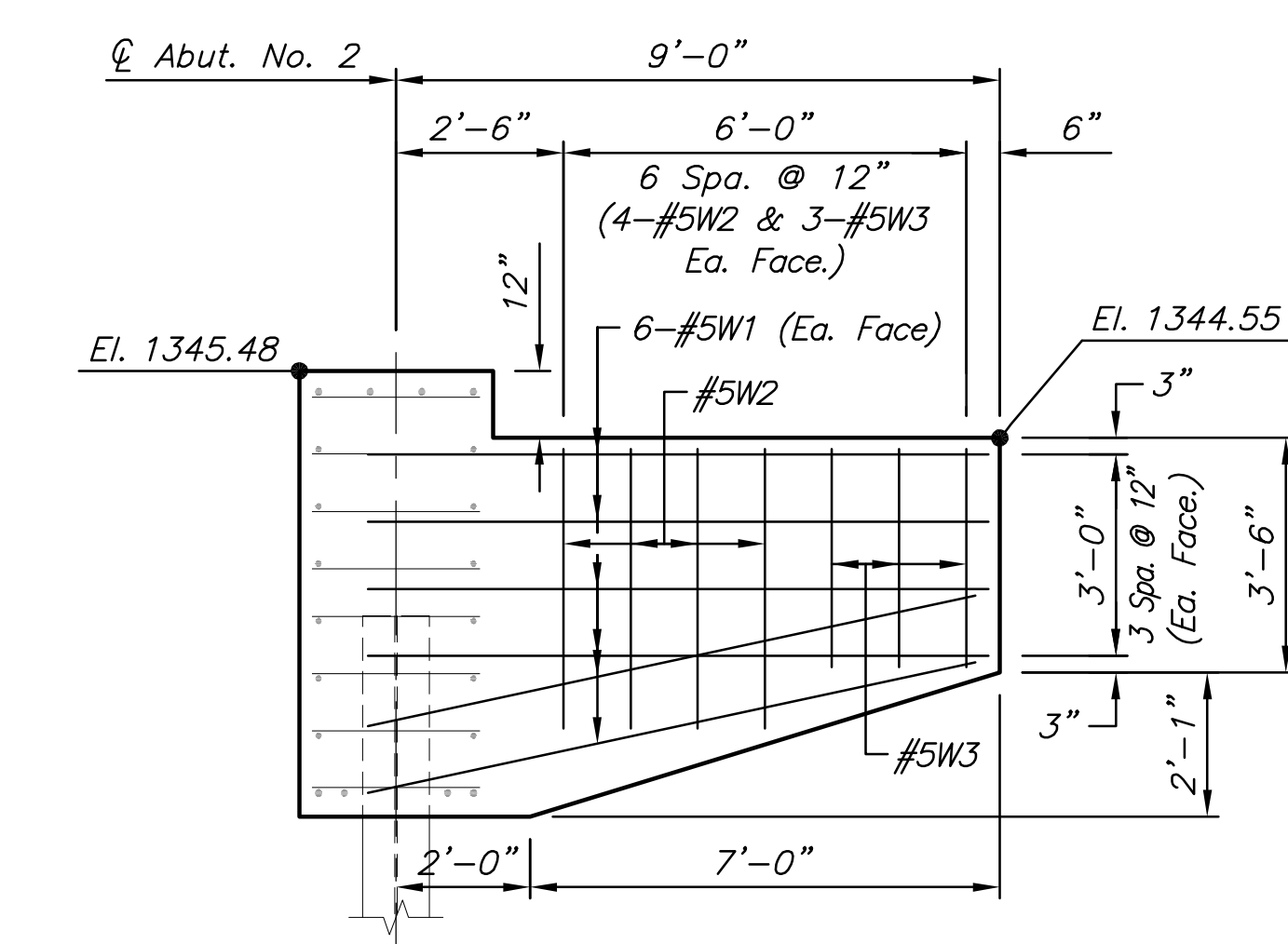
ABUTMENT TYPICAL SECTION
Shown Perpendicular to \varnothing Abutment
(Abutment No. 1, Looking West)
(Abutment No. 2, Looking East)



DETAIL A
Abutment No. 1
(Corner Blockout for Retaining Wall)



PLAN - ABUTMENT WING
Phase 3 - Abutment No. 2



ELEVATION - ABUTMENT WING
Phase 3 - Abutment No. 2

©2017 MKEC Engineering
 All Rights Reserved
 www.mkec.com
 These drawings and their contents, including, but not limited to, all concepts, designs, & ideas are the exclusive property of MKEC Engineering (MKEC), and may not be used or reproduced in any way without the express consent of MKEC.

PHASE 3 ABUTMENT EXT. DETAILS

PROJECT NO.	472-85158	
DATE	11/29/17	
SCALE	3/8"=1'	
DESIGNED	KJS	
DRAWN	DMU	
CHECKED	KJS	
NO.	REVISION	DATE