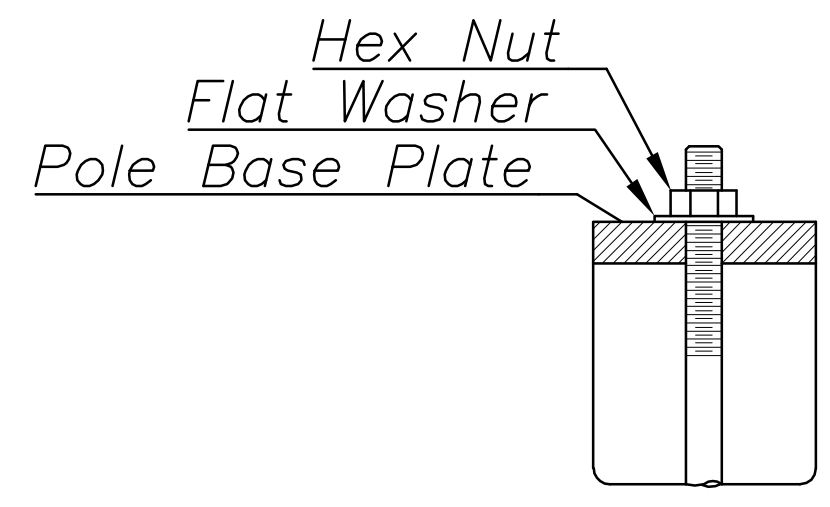
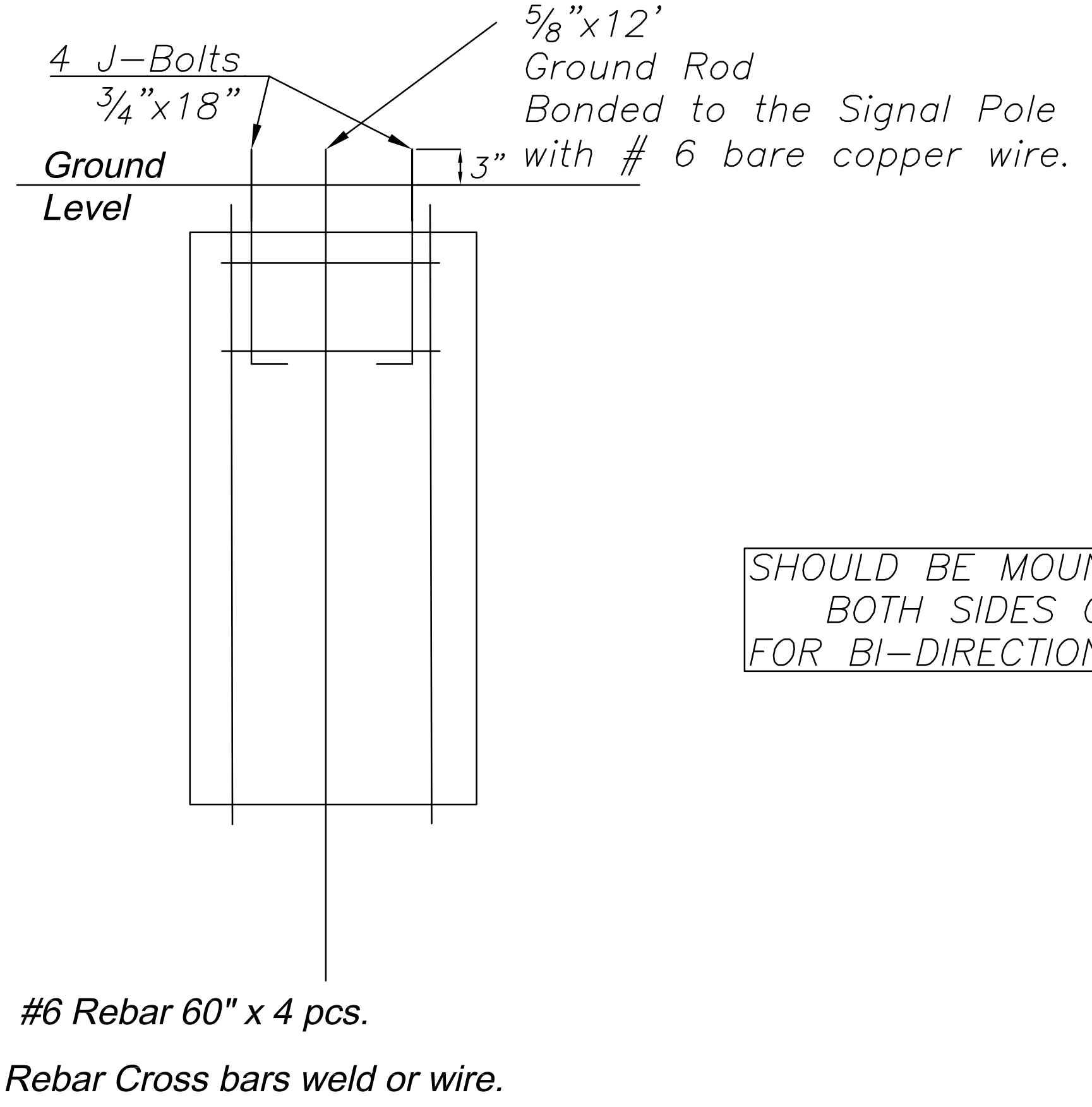
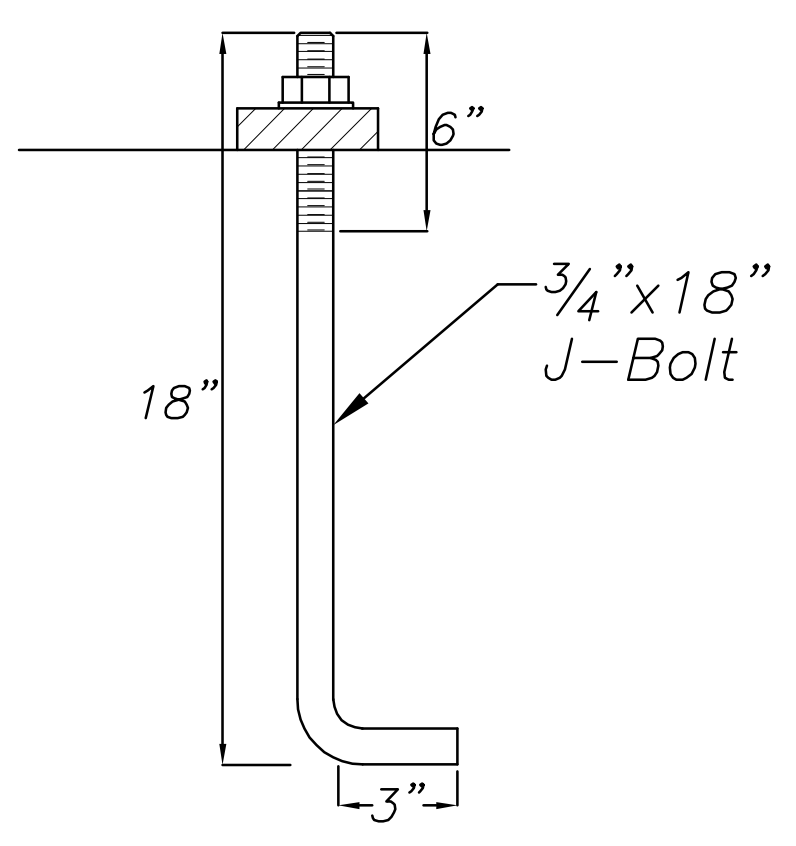


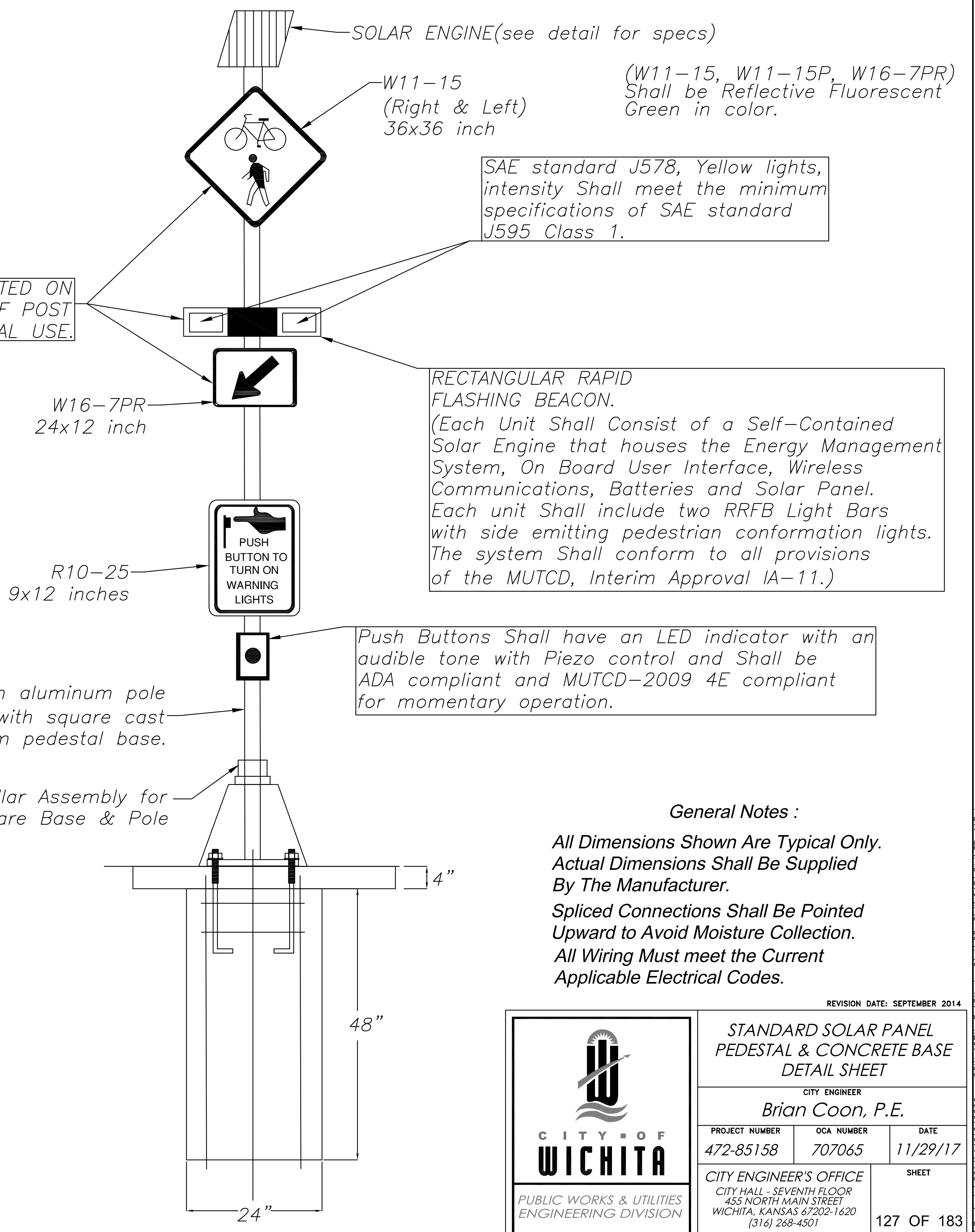
Bolt Circle 13.5" on Center
 #6 Rebar 42" x 9 pcs.



Use Keystone "No-Weld
 Number 1 Anti-Seize
 Compound" on all
 bolts & nuts.

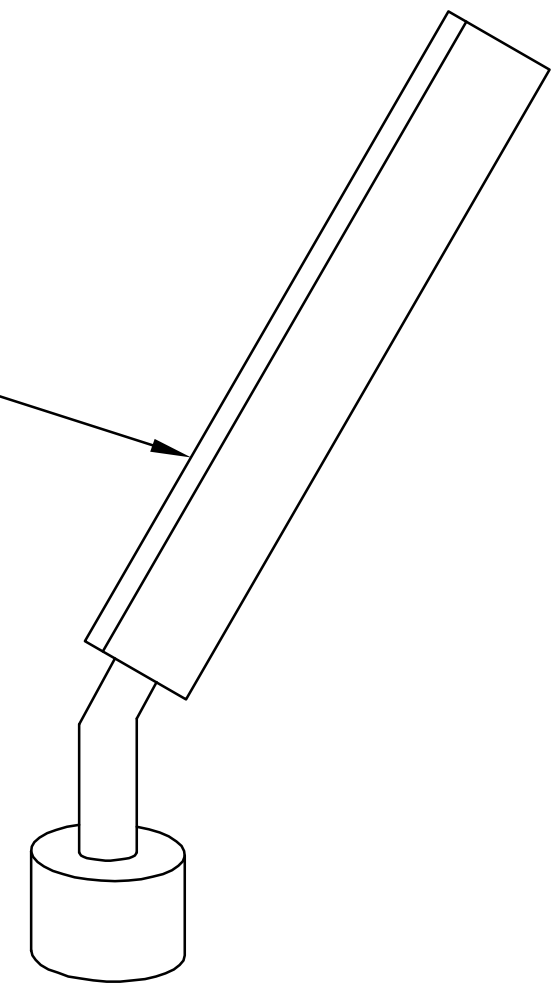


SHOULD BE MOUNTED ON
 BOTH SIDES OF POST
 FOR BI-DIRECTIONAL USE.



General Notes :
 All Dimensions Shown Are Typical Only.
 Actual Dimensions Shall Be Supplied
 By The Manufacturer.
 Spliced Connections Shall Be Pointed
 Upward to Avoid Moisture Collection.
 All Wiring Must meet the Current
 Applicable Electrical Codes.

SOLAR PANEL & ENGINE :
 (1) 10 watt solar panel no larger than the footprint of the housing
 with hinged top to access the user interface & batteries.
 (2) 7Ah sealed valve regulated lead acid batteries
 with quick connectors to facilitate faster installation
 (non-proprietary & readily available from multiple suppliers)
 Batteries Shall not need to be charged by a
 battery charger prior to installation.
 Solar panel and system Shall be 12 volt DC.



REVISION DATE: SEPTEMBER 2014

STANDARD SOLAR PANEL
 PEDESTAL & CONCRETE BASE
 DETAIL SHEET

CITY ENGINEER
 Brian Coon, P.E.

PROJECT NUMBER 472-85158	OCA NUMBER 707065	DATE 11/29/17
CITY ENGINEER'S OFFICE CITY HALL - SEVENTH FLOOR 455 NORTH MAIN STREET WICHITA, KANSAS 67202-1620 (316) 268-4501		SHEET 127 OF 183

Saved 05-11-2017 1:22:59 PM by JACOBSON
 Plot Scale 1:1 11-29-2017 3:27:47 PM by DEBRA MASON
 J:\Projects\2014\1401040290 - COW_127.rvt E 13th to 21st\05-Civil\CAD\Std\113.dwg