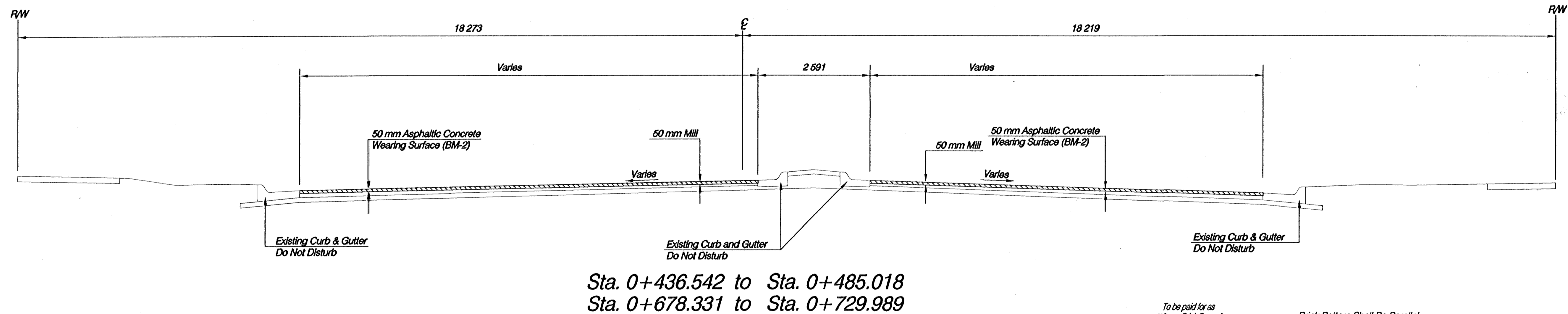
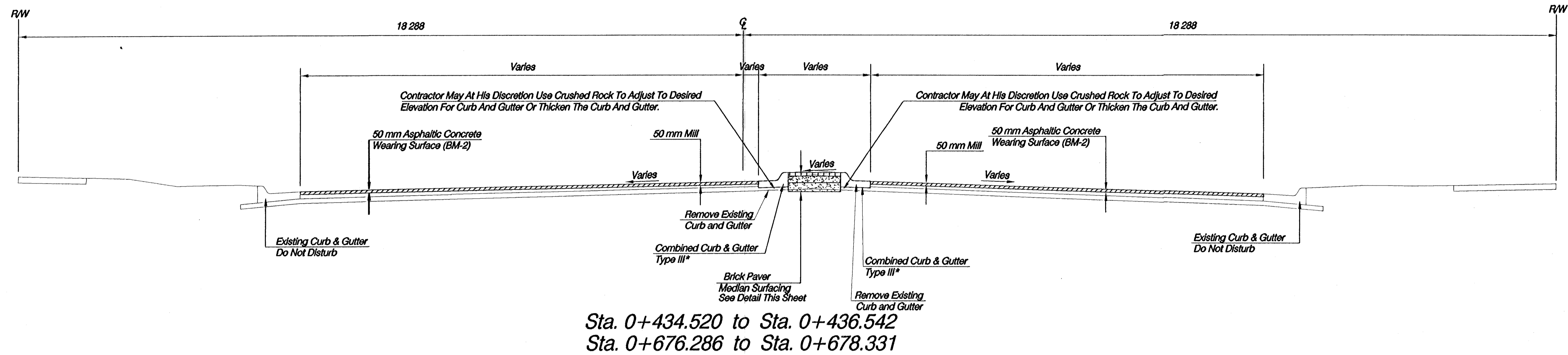
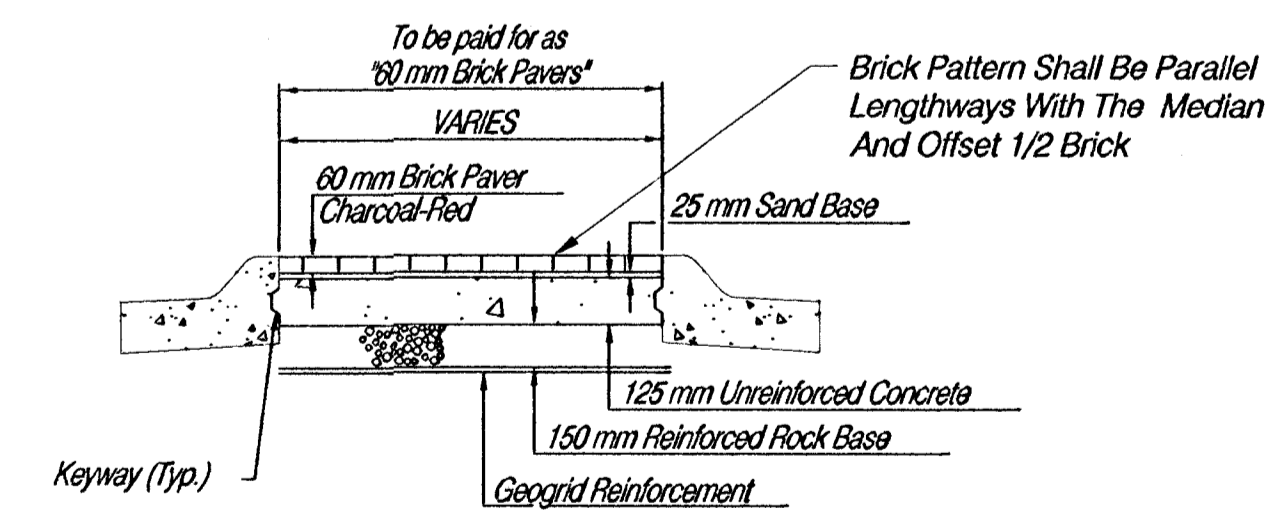


FHWA REG. NO.	Sta. TE	PROJECT NO.	YEAR	SHEET NO.	TOTAL SHEETS
KANSAS		87 N-0199-01	2002	7	158

FED. AID NO. - CMQ-N019(901)



* Width Varies For Modified Curbs & Gutter Sections.
See Sheet 96 For Modified Curb & Gutter Locations.
See Sheet 96 For Modified Curb & Gutter Detail.
A 150 mm P.C.C. Base Shall Be Used In Place Of 150 mm BM-2 Base Course Where Proposed Paving Is Less Than 1.5 m In Width. (Typ)
Sod All Disturbed Areas.



BRICK PAVER SURFACE DETAIL

ROCK ROAD	
TYPICAL SECTIONS	
HWS Consulting Group Inc.	
Omaha Office 10844 Old Mill Rd., Ste. 1 Omaha, NE 68154 Phone: (402) 333-5792 Fax: (402) 333-2248	
Designed By: BWE	Checked By: RJK
Drawn By: HJS	Date: 03-25-2002 Job No. 55-70-2003