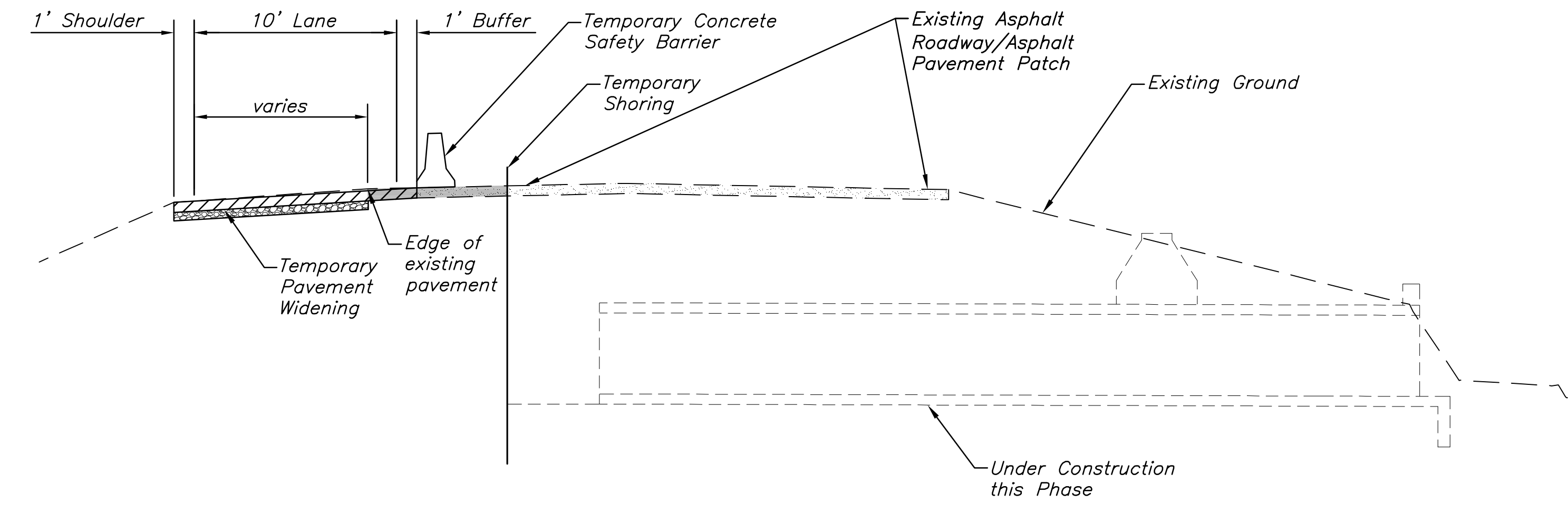
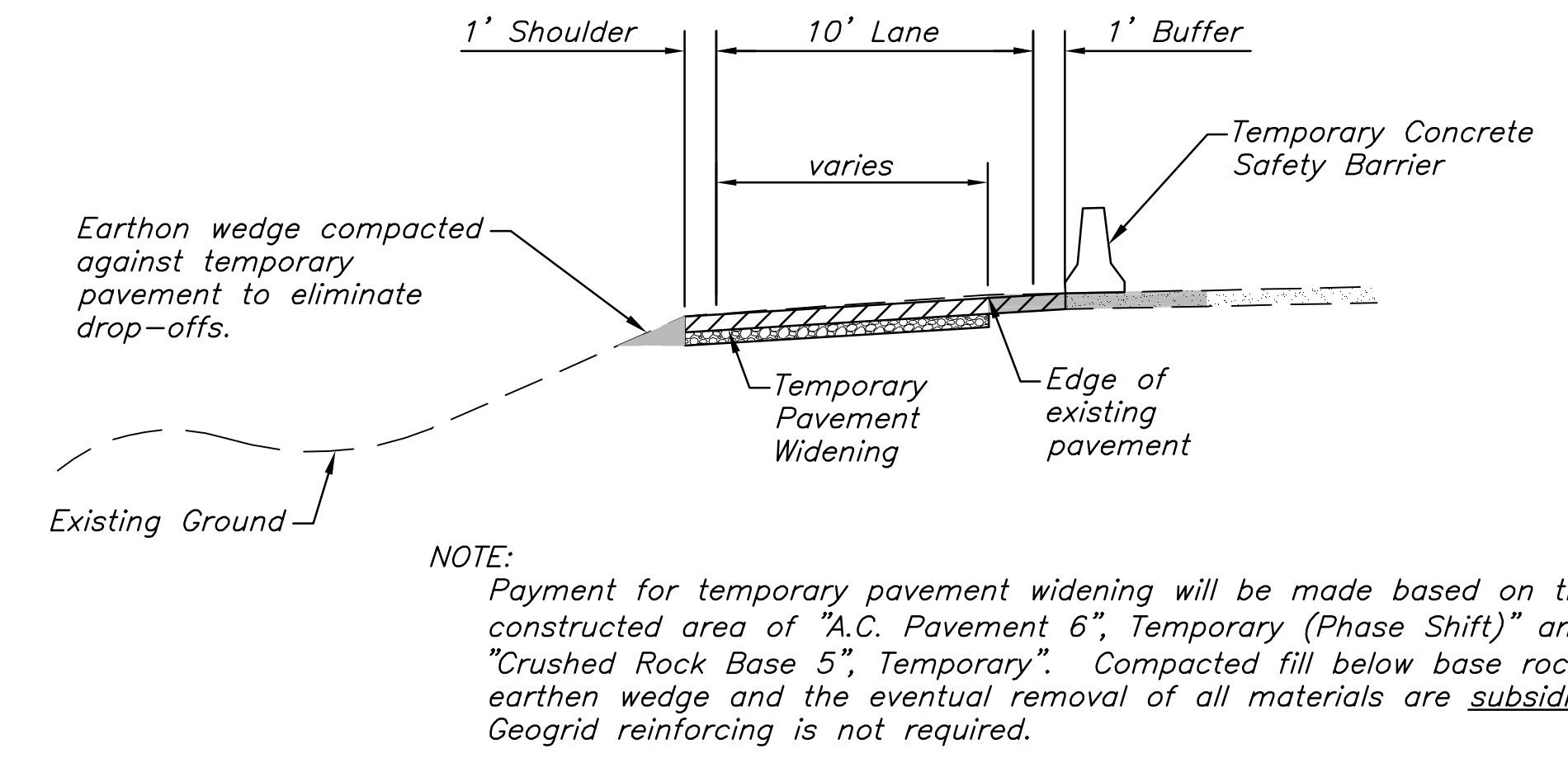


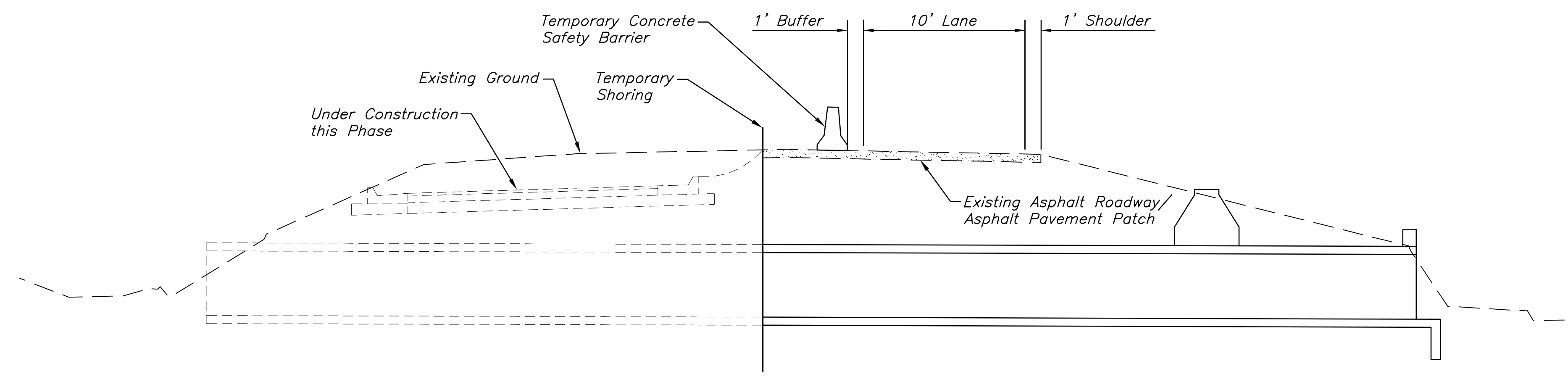
STATE	PROJECT NO.	YEAR	SHEET NO.	TOTAL SHEETS
KANSAS	87 N-0615-01	2017	137	183



SECTION AT STA. 15+39.34 - PHASE 2A



TEMPORARY ASPHALT WIDENING SECTION - PHASE 2A



SECTION AT STA. 15+39.34 - PHASE 2B

STREET IMPROVEMENTS FOR
127TH STREET EAST
 FROM 13TH STREET NORTH TO 21ST STREET NORTH

©2017 MKEC Engineering All Rights Reserved www.mkec.com
 These drawings and their contents, including, but not limited to, all concepts, designs, & ideas are the exclusive property of MKEC Engineering (MKEC), and may not be used or reproduced in any way without the express consent of MKEC.

TRAFFIC CONTROL SECTIONS & DETAILS - PHASE 2

PROJECT NO.	472-85158	
DATE	11/29/17	
SCALE	1"=5'	
DESIGNED	DRAWN	CHECKED
JRA	BKS	JRA

NO.	REVISION	DATE

SHEET NO.
137 OF 183

J:\PROJECTS\2017\1401040280 - COM_127THE_13TH TO 21ST\05-CIVIL\CAD\TRAFFIC\280-1P88.DWG
 PLOTTED: Wednesday, November 29, 2017 @ 03:29PM