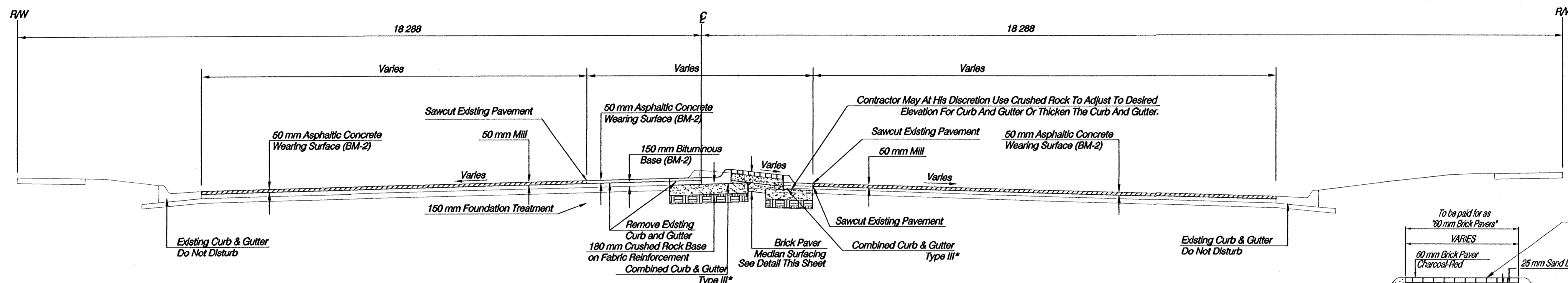


FHWA REG. NO.	Sto. TE	PROJECT NO.	YEAR	SHEET NO.	TOTAL SHEETS
	KANSAS	87 N-0199-01	2002	8	158

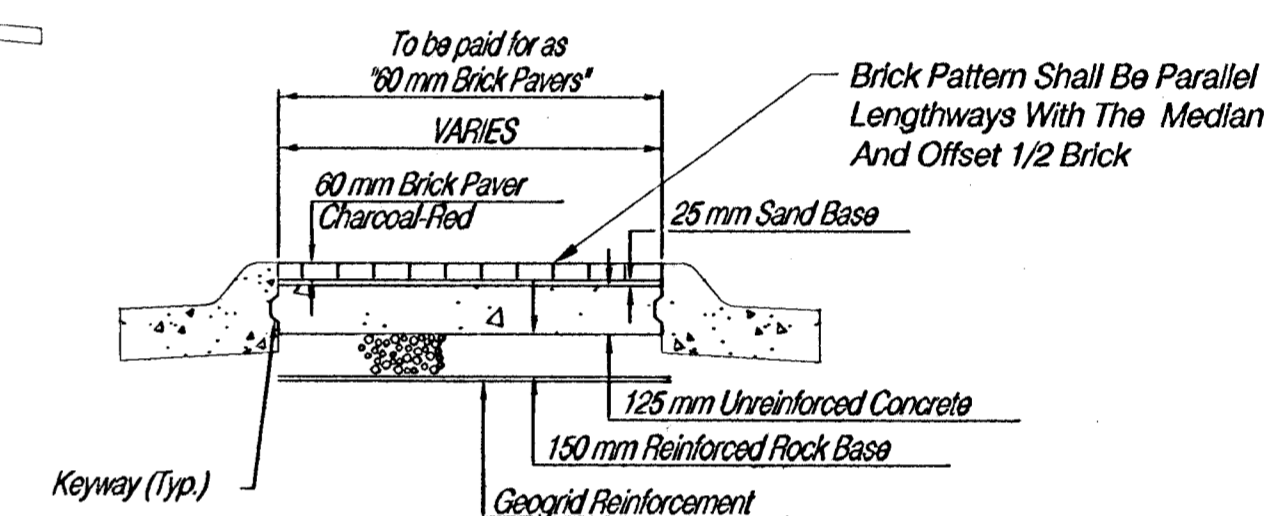
FED. AID NO. - CMQ-NO19(901)



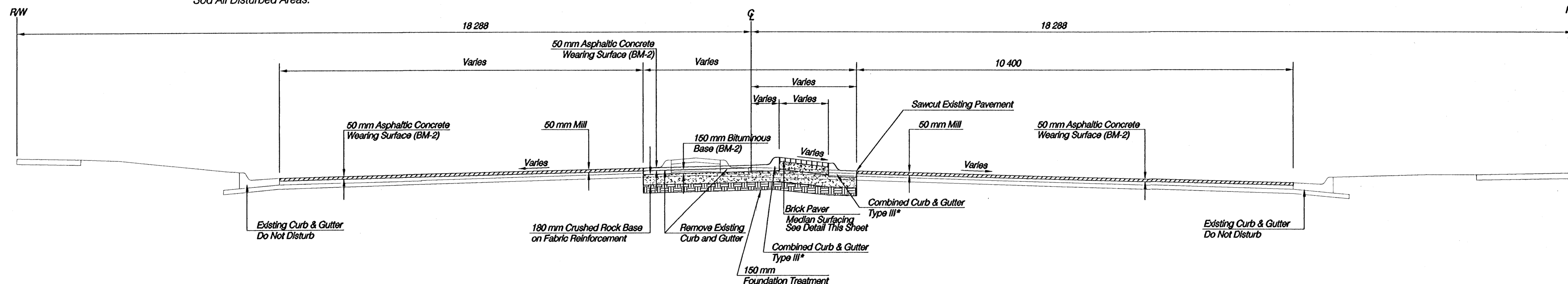
Sta. 0+485.018 to Sta. 0+506.641

* Width Varies For Modified Curbs & Gutter Sections.
See Sheet 96 For Modified Curb & Gutter Locations.
See Sheet 96 For Modified Curb & Gutter Detail.

A 150 mm P.C.C. Base Shall Be Used In Place Of 150 mm
BM-2 Base Course Where Proposed Paving Is Less
Than 1.5 m In Width. (Typ)
Sod All Disturbed Areas.



BRICK PAVER SURFACE DETAIL



Sta. 0+506.641 to Sta. 0+531.276

ROCK ROAD
TYPICAL SECTIONS

HWS Consulting Group Inc
Omaha Office
10844 Old Mill Rd., Ste 1
Omaha, NE 68154
Phone: (402) 333-5792
Fax: (402) 333-2248

Designed By: BWE	Checked By: RJK
Drawn By: HJS	Date: 03-25-2002 Job No. 55-70-2003