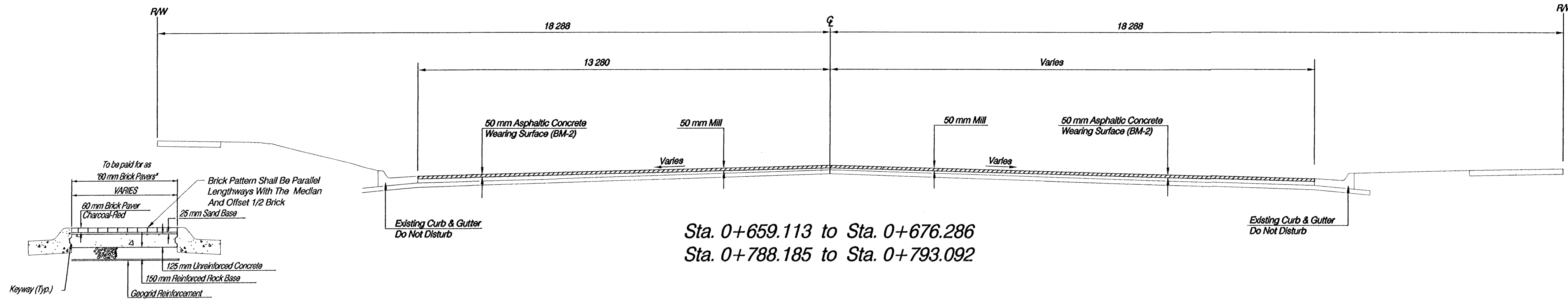


FHWA REG. NO.	Sta. TE	PROJECT NO.	YEAR	SHEET NO.	TOTAL SHEETS
	KANSAS	87 N-0199-01	2002	10	158

FED. AID NO. - CMQ-N019(901)

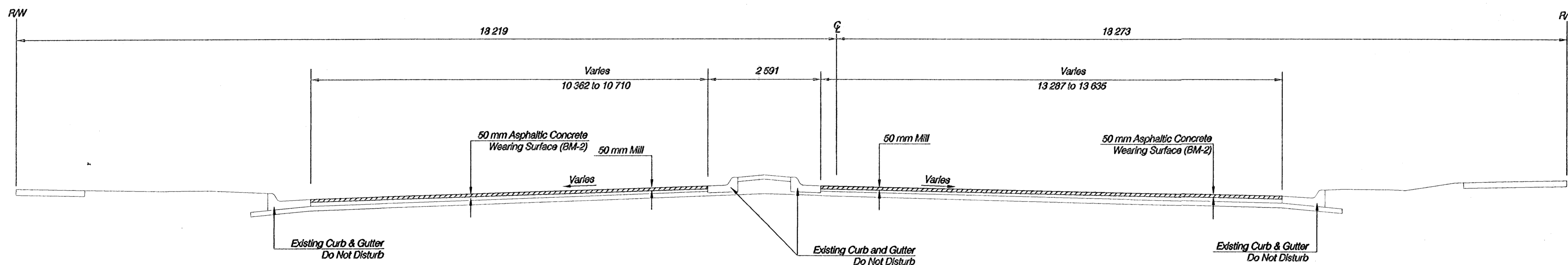


Sta. 0+659.113 to Sta. 0+676.286
Sta. 0+788.185 to Sta. 0+793.092

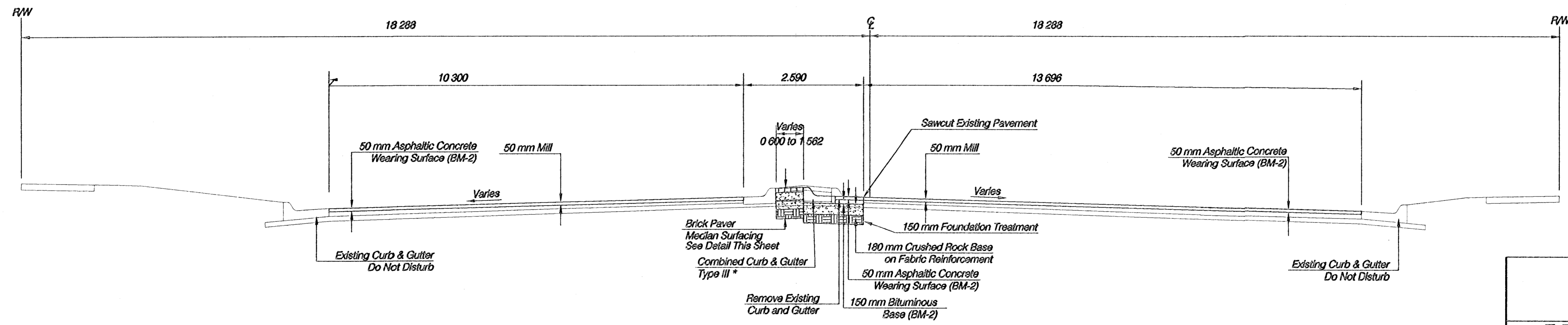
BRICK PAVER SURFACE DETAIL

* Width Varies For Modified Curbs & Gutter Sections. See Sheet 96 For Modified Curb & Gutter Locations. See Sheet 96 For Modified Curb & Gutter Detail.

A 150 mm P.C.C. Base Shall Be Used In Place Of 150 mm BM-2 Base Course Where Proposed Paving Is Less Than 1.5 m In Width. (Typ)
Sod All Disturbed Areas.



Sta. 0+738.129 to Sta. 0+761.160



Sta. 0+761.160 to Sta. 0+788.185

**ROCK ROAD
TYPICAL SECTIONS**

HWS Consulting Group Inc. Omaha Office
10844 Old Mill Rd., Ste 1
Omaha, NE 68154
Phone: (402) 333-5792
Fax: (402) 333-2248

Designed By: BWE	Checked By: RJK
Drawn By: HS	Date: 03-25-2002 Job No. 55-70-2003