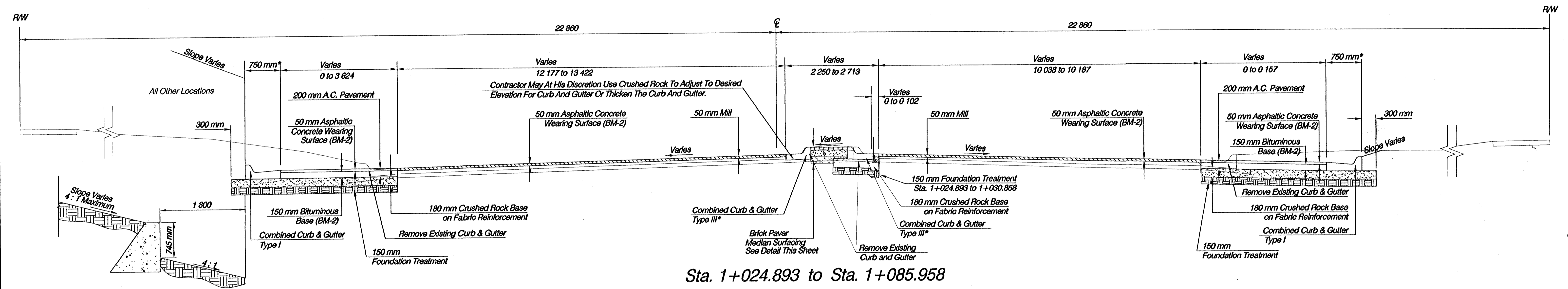


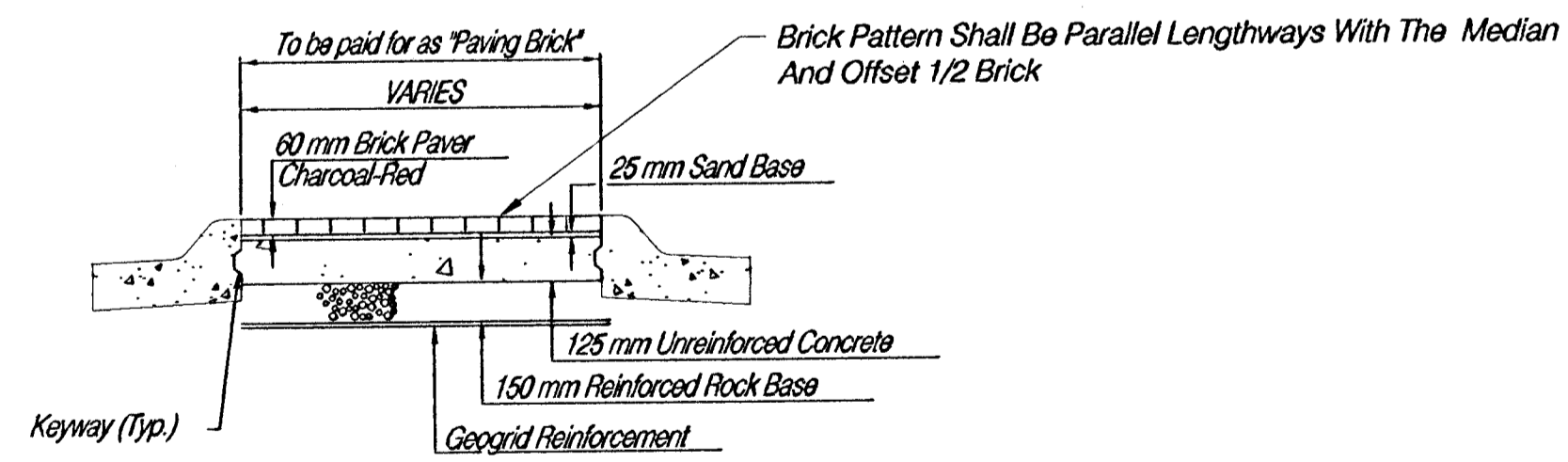
FHWA REG NO.	Sta. TE	PROJECT NO.	YEAR	SHEET NO.	TOTAL SHEETS
	KANSAS	87 N-0199-01	2002	14	158

FED. AID NO. - CMQ-NO19(901)



Sta. 1+040.000 to Sta. 1+085.458

Sta. 1+024.893 to Sta. 1+085.958



**BRICK PAVER SURFACE DETAIL**

\* Width Varies For Modified Curbs & Gutter Sections.  
 See Sheet 96 For Modified Curb & Gutter Locations.  
 See Sheet 96 For Modified Curb & Gutter Detail.  
 A 150 mm P.C.C. Base Shall Be Used In Place Of 150 mm  
 BM-2 Base Course Where Proposed Paving Is Less  
 Than 1.5 m In Width. (Typ)  
 Sod All Disturbed Areas.

<b>ROCK ROAD</b>			
TYPICAL SECTIONS			
<b>HWS</b>		Omaha Office 10844 Old Mill Rd., Ste 1 Omaha, NE 68154 Phone: (402) 333-5792 Fax: (402) 333-2248	
Designed By: EWE	Checked By: RJK	Drawn By: HS	Date: 03-25-2002 Job No. 55-70-2003