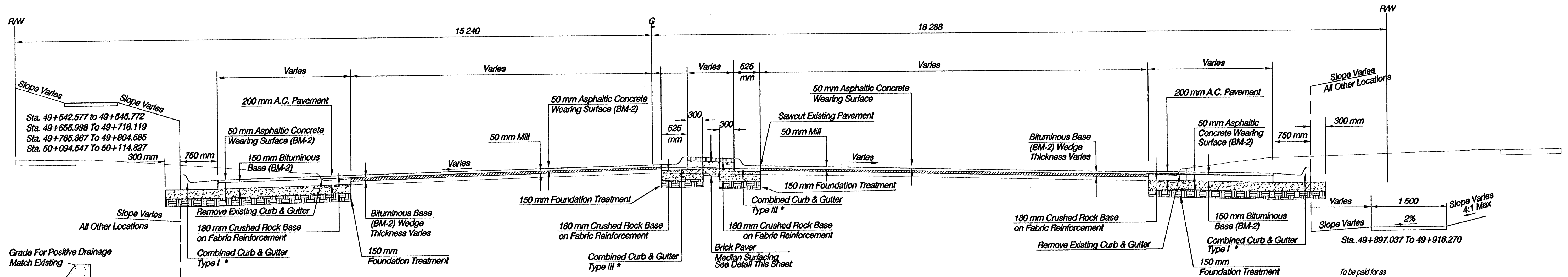


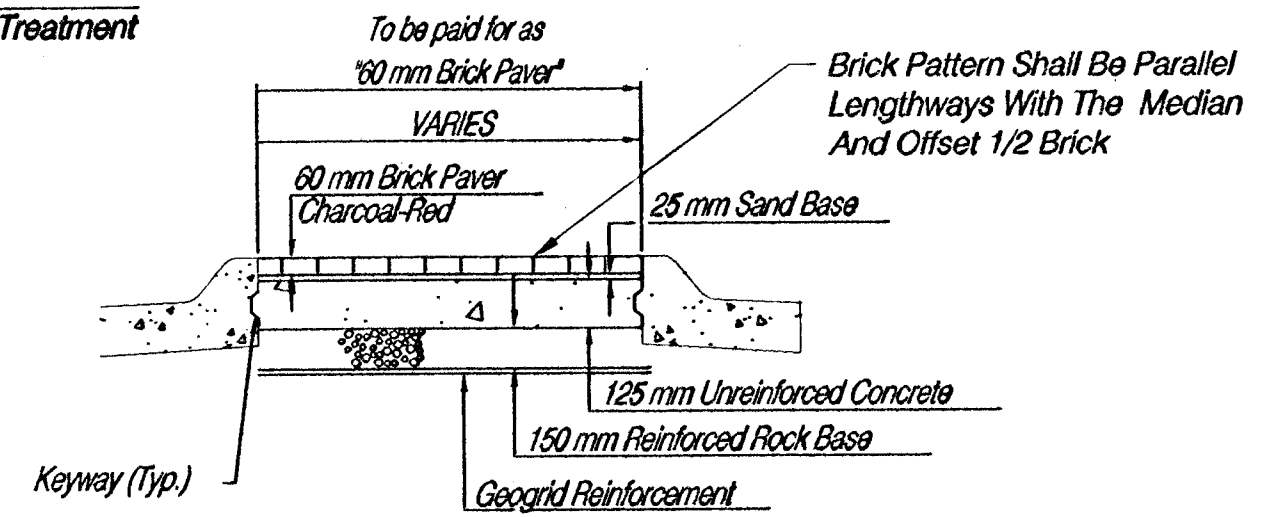
FHWA REG. NO.	Sta. TE	PROJECT NO.	YEAR	SHEET NO.	TOTAL SHEETS
	KANSAS	87 N-0199-01	2002	17	158

FED. AID NO. - CMQ-N019(701)

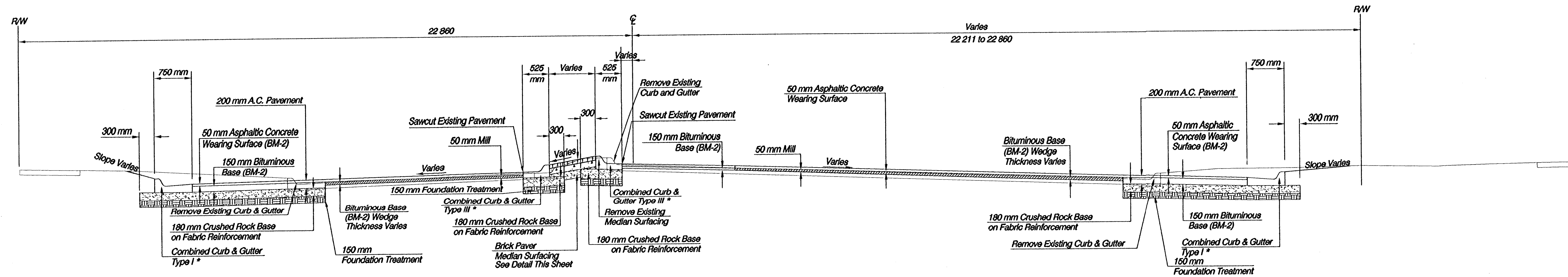


Sta. 49+542.577 to Sta. 49+545.772  
 Sta. 49+655.998 to Sta. 49+716.119  
 Sta. 49+765.867 to Sta. 49+804.585  
 Sta. 49+863.295 to Sta. 49+869.301  
 Sta. 50+140.746 to Sta. 50+145.285

\* Width Varies For Modified Curbs & Gutter Sections.  
 See Sheet 96 For Modified Curb & Gutter Locations.  
 See Sheet 96 For Modified Curb & Gutter Detail.  
 A 150 mm P.C.C. Base Shall Be Used In Place Of 150 mm  
 BM-2 Base Course Where Proposed Paving Is Less  
 Than 1.5 m In Width. (Typ)  
 Sod All Disturbed Areas.



**BRICK PAVER SURFACE DETAIL**



Sta. 49+919.704 to Sta. 49+975.025

**North 21st Street**  
**TYPICAL SECTIONS**

**HWS** Consulting Group Inc. 10844 Old Mill Rd., Ste 1  
 Omaha, NE 68154  
 Phone: (402) 333-5792  
 Fax: (402) 333-2248

Designed By: BWE	Checked By: RJK
Drawn By: HS	Date: 03-25-2002 Job No. 55-70-2003