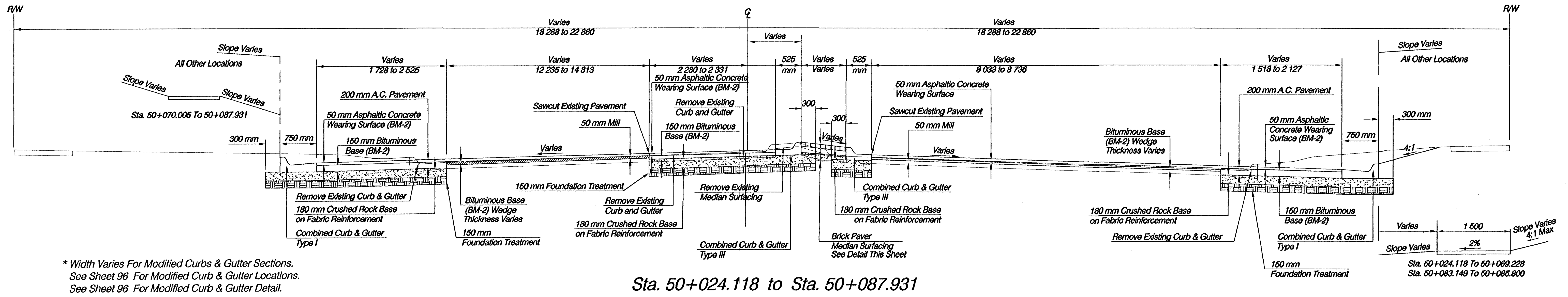


FHWA REG. NO.	Sta. TE	PROJECT NO.	YEAR	SHEET NO.	TOTAL SHEETS
KANSAS		87 N-0199-01	2002	18	158

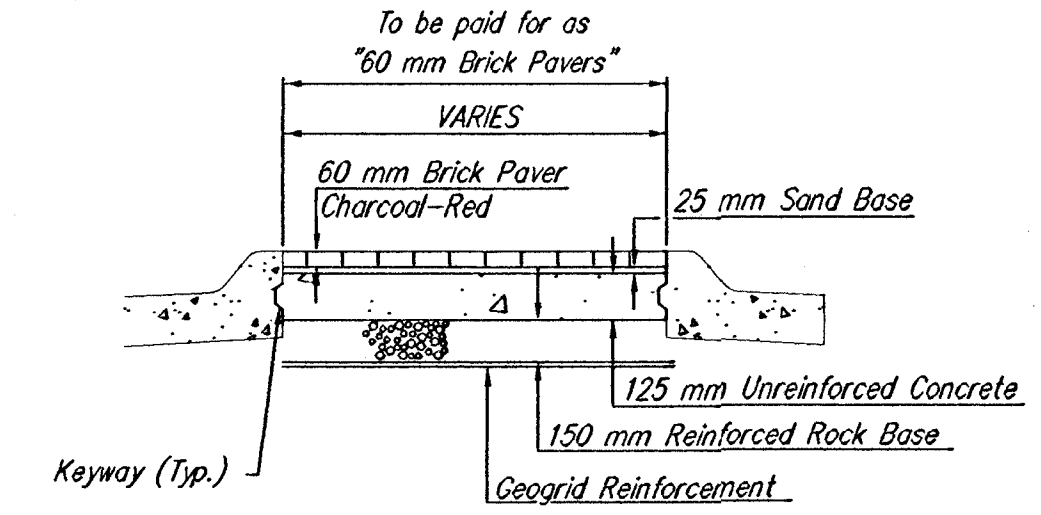
FED. AID NO. - CMQ-N019(901)



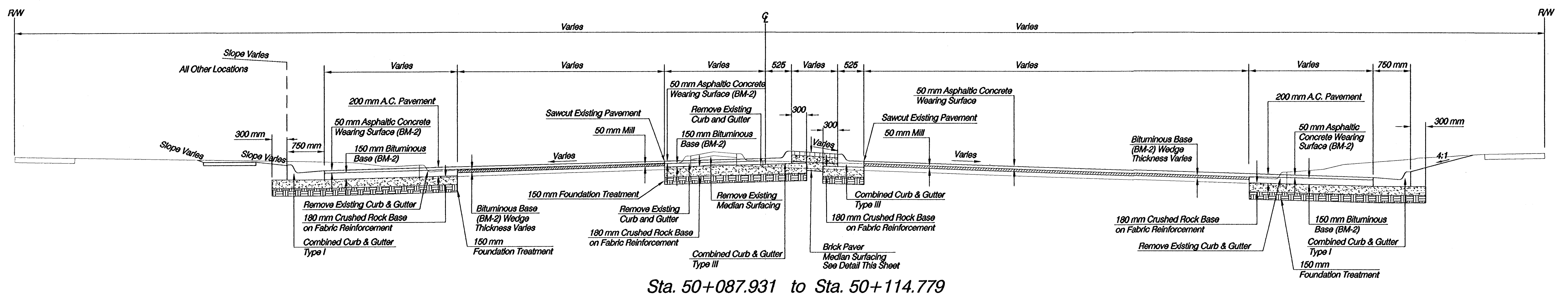
\* Width Varies For Modified Curbs & Gutter Sections.  
See Sheet 96 For Modified Curb & Gutter Locations.  
See Sheet 96 For Modified Curb & Gutter Detail.

A 150 mm P.C.C. Base Shall Be Used In Place Of 150 mm  
BM-2 Base Course Where Proposed Paving Is Less  
Than 1.5 m In Width. (Typ)  
Sod All Disturbed Areas.

Sta. 50+024.118 to Sta. 50+087.931



BRICK PAVER MEDIAN DETAIL



Sta. 50+087.931 to Sta. 50+114.779

**North 21st Street**  
TYPICAL SECTIONS

**HWS** Consulting Group Inc. Omaha Office  
10844 Old Mill Rd., Ste 1  
Omaha, NE 68154  
Phone: (402) 333-5292  
Fax: (402) 333-2249

Designed By: BWE	Checked By: RJK
Drawn By: HJS	Date: 03-25-2002 Job No. 55-70-2003