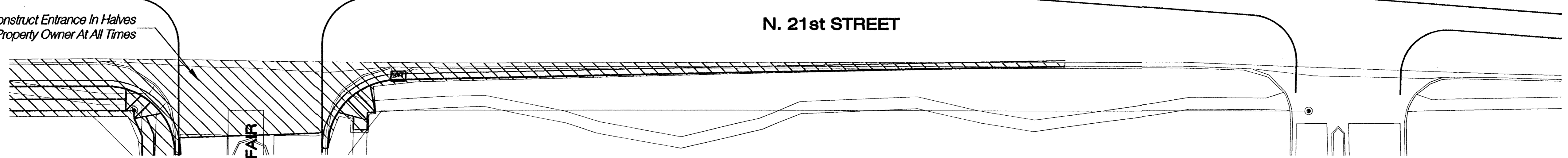
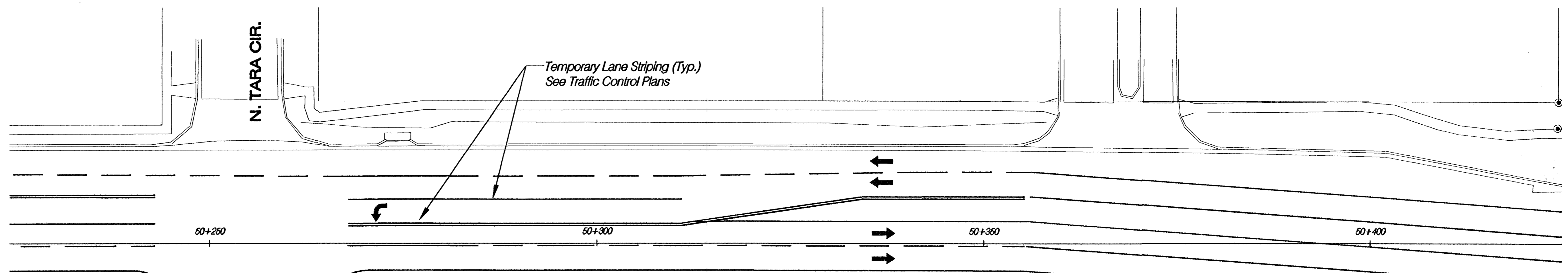
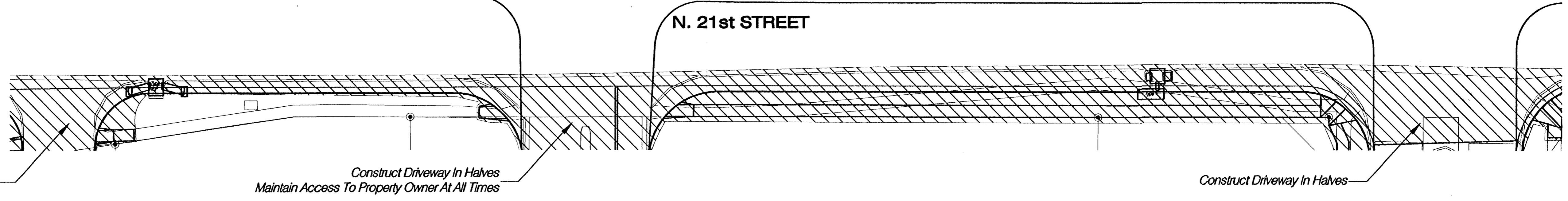
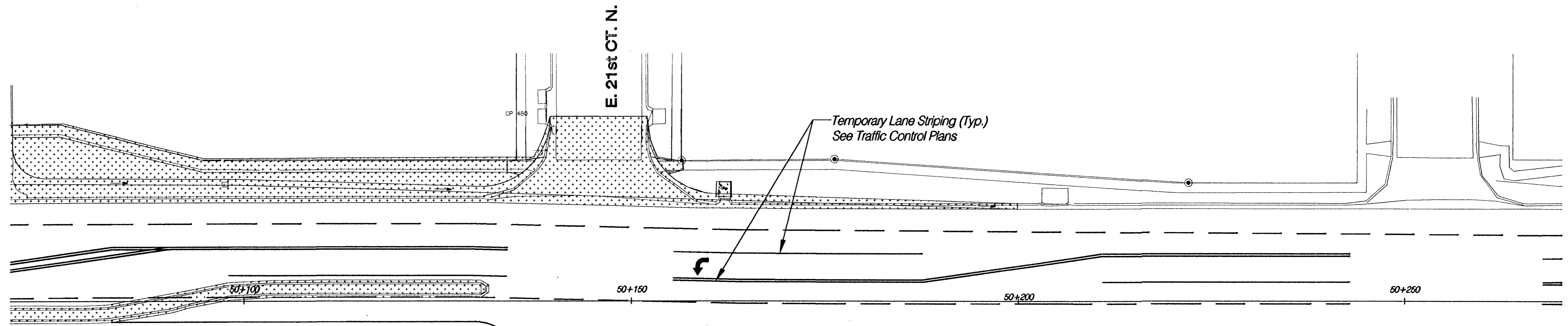
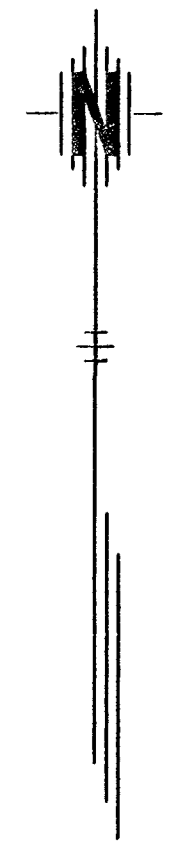


FHWA REG NO.	STATE	PROJECT NO.	YEAR	SHEET NO.	TOTAL SHEETS
7	KANSAS	87 N-0199-01	2002	29	158

FED. AID NO. - CMQ-N019(901)



**Legend**

- Area Under Construction In Phase 3  
N. 21st STREET Sta. 49+422.153 to Sta. 50+360.517
- Area Previously Constructed (Phase 1 & 2)

**GENERAL WORK ACTIVITIES**

1. Construct Storm Sewer
  2. Construct Temporary Lane Striping
  3. Move Traffic To North Side of 21st St., Maintain 2 Thru Lanes in Each Direction And Left Turn Capability At N. ROCK ROAD & 21st
  4. Remove Existing Curb & Gutter, Curb Inlets, Driveway Pavement, Sidewalk, Valley Gutter
  5. Construct Curb & Gutter And Pavement Base
  6. Construct Driveway Pavement
  7. Construct Sidewalk And Wheelchair Ramps
- See Plan Sheets for Removal and Construction Information

**N. 21st STREET**  
**PHASE 3**  
**STA. 50+100 - 50+400**

**HWS** Consulting Group Inc. Omaha Office  
10844 Old Mill Rd., Ste 1  
Omaha, NE 68154  
Phone: (402) 333-5792  
Fax: (402) 333-2249

Designed By: EWE	Checked By: RJK	
Drawn By: HS	Date: 03-25-2002	Job No. 55-70-2003