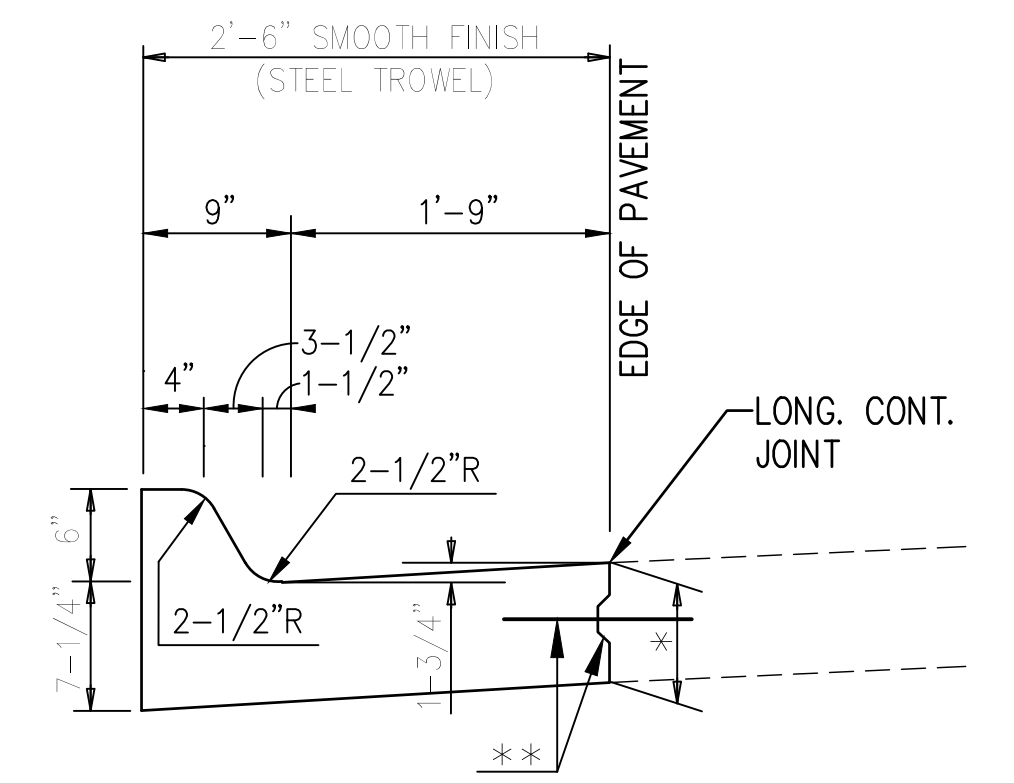


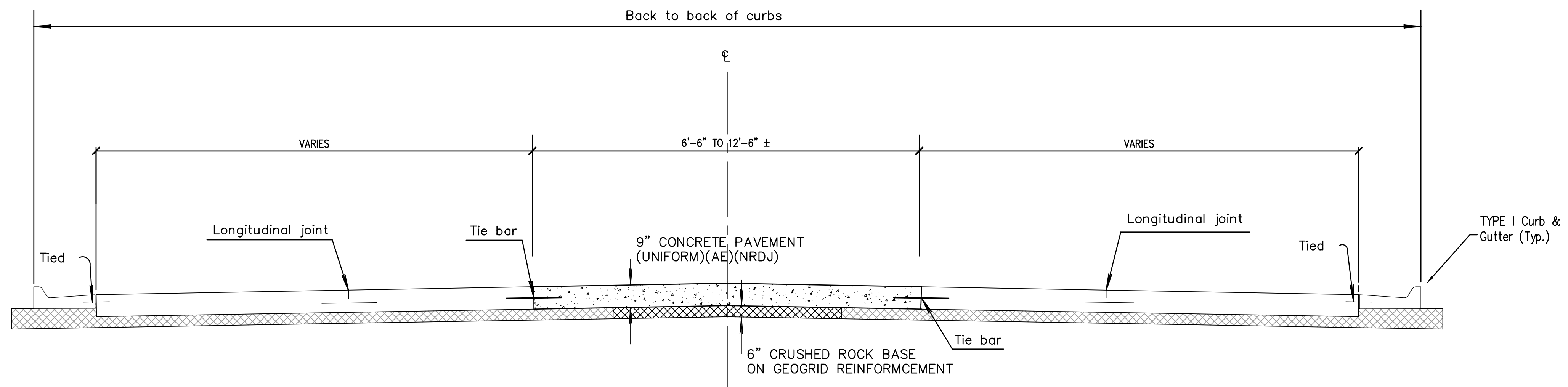
**CENTRAL- EXISTING CROSS SECTION  
(4 - LANE WITH MEDIAN AND CURB & GUTTER)**

NOTE: CROSS SECTION INFORMATION DERIVED FROM CENTRAL AND HILLSIDE PLANS PREPARED BY MKEC, DATED FEBRUARY 14, 2002.



**COMBINED CURB & GUTTER- TYPE I**

- \* 9" WHERE CONCRETE PAVEMENT IS CONSTRUCTED
- \*\* LONGITUDINAL CONSTRUCTION JOINT AND #4x1'-6" DEFORMED BARS AT 2'-6" CENTERS, WHERE CONCRETE PAVEMENT IS CONSTRUCTED



**CENTRAL- PROPOSED CROSS SECTION  
(THROUGH PROPOSED TURN LANE, THIS PROJECT)**

<b>Central &amp; Vassar Typical Sections</b>			
			924 N. Main Wichita, Kansas 316-264-8008
	PROJECT NUMBER <b>472-85413</b>	RB JOB NO. <b>4975T</b>	DWG. SCALE ...
DRAWING FILE <b>4975E Private Paving Plan Base [Typical Sections]</b>	SHEET <b>2</b>	OF <b>10</b>	DESIGN <b>KWL</b> DRAWN <b>KWL</b> REVIEW .