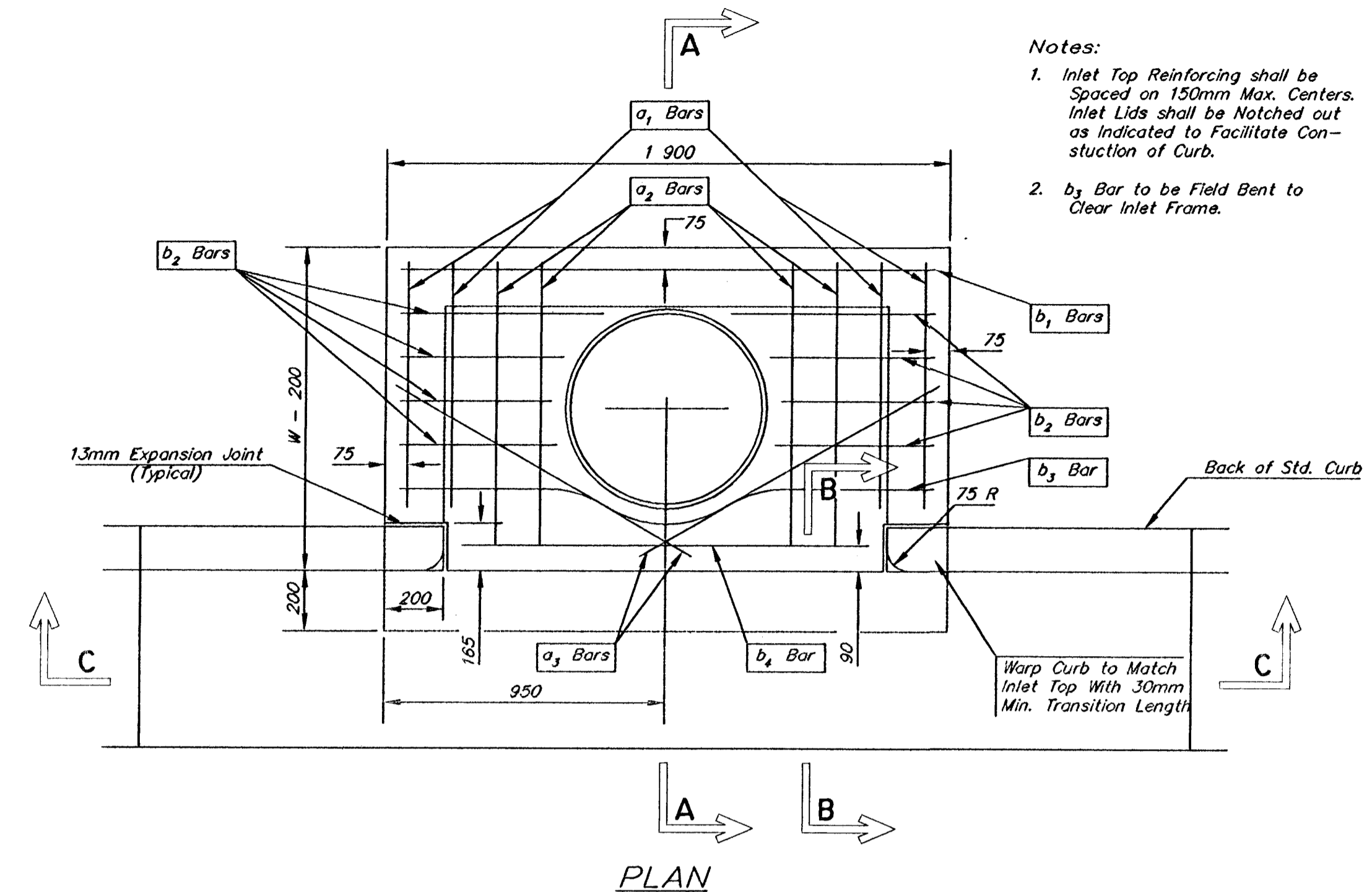
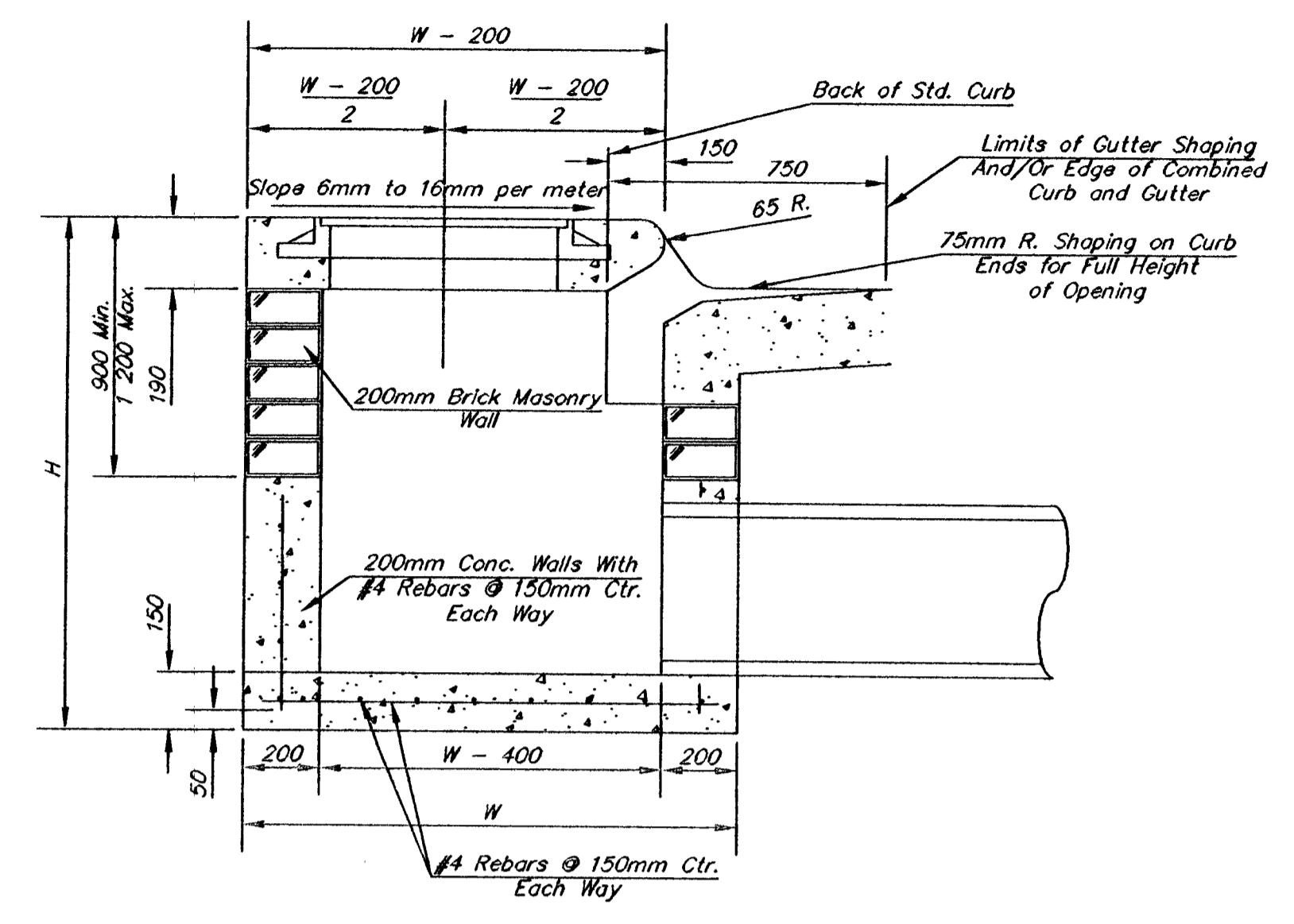


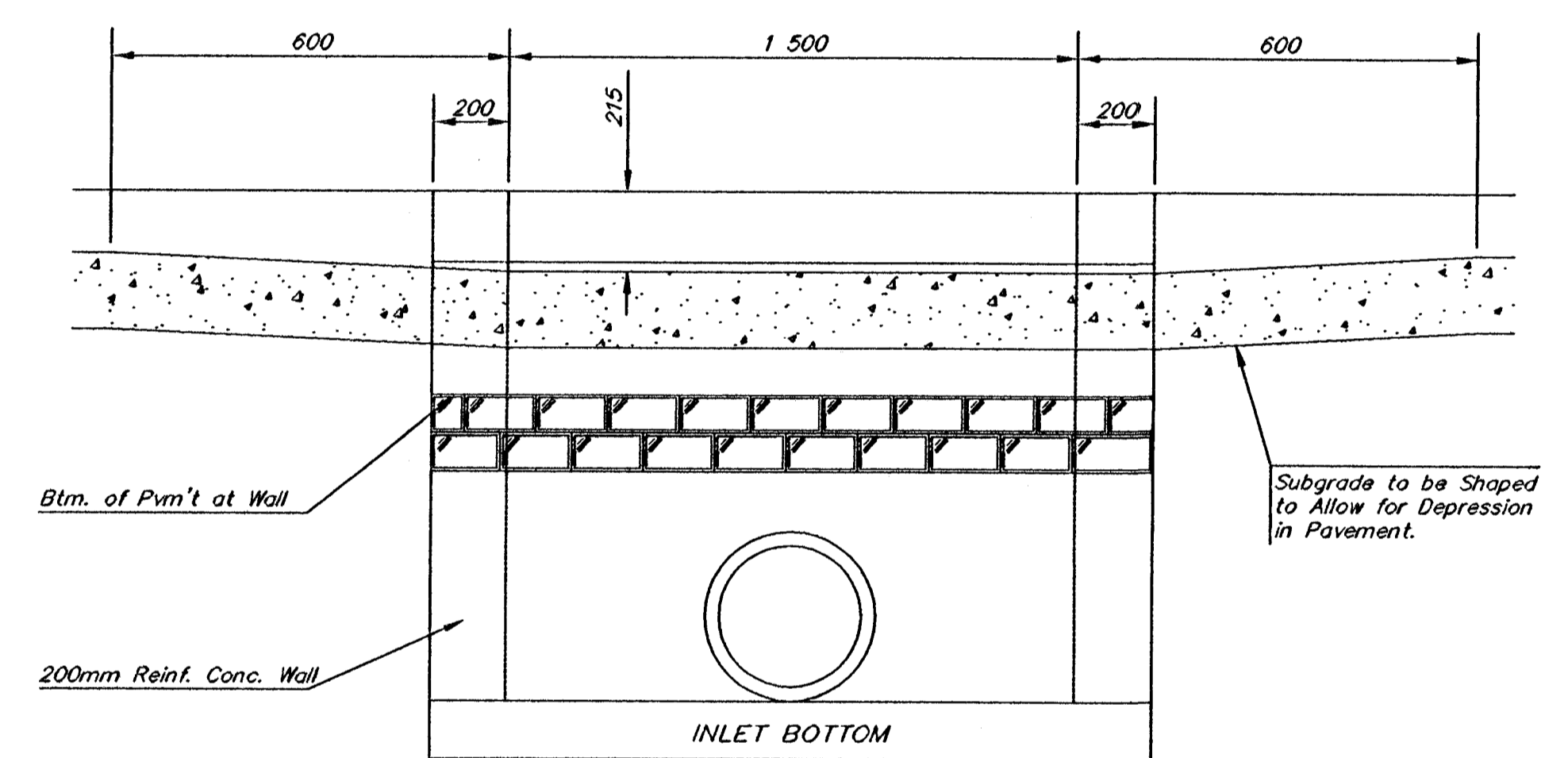
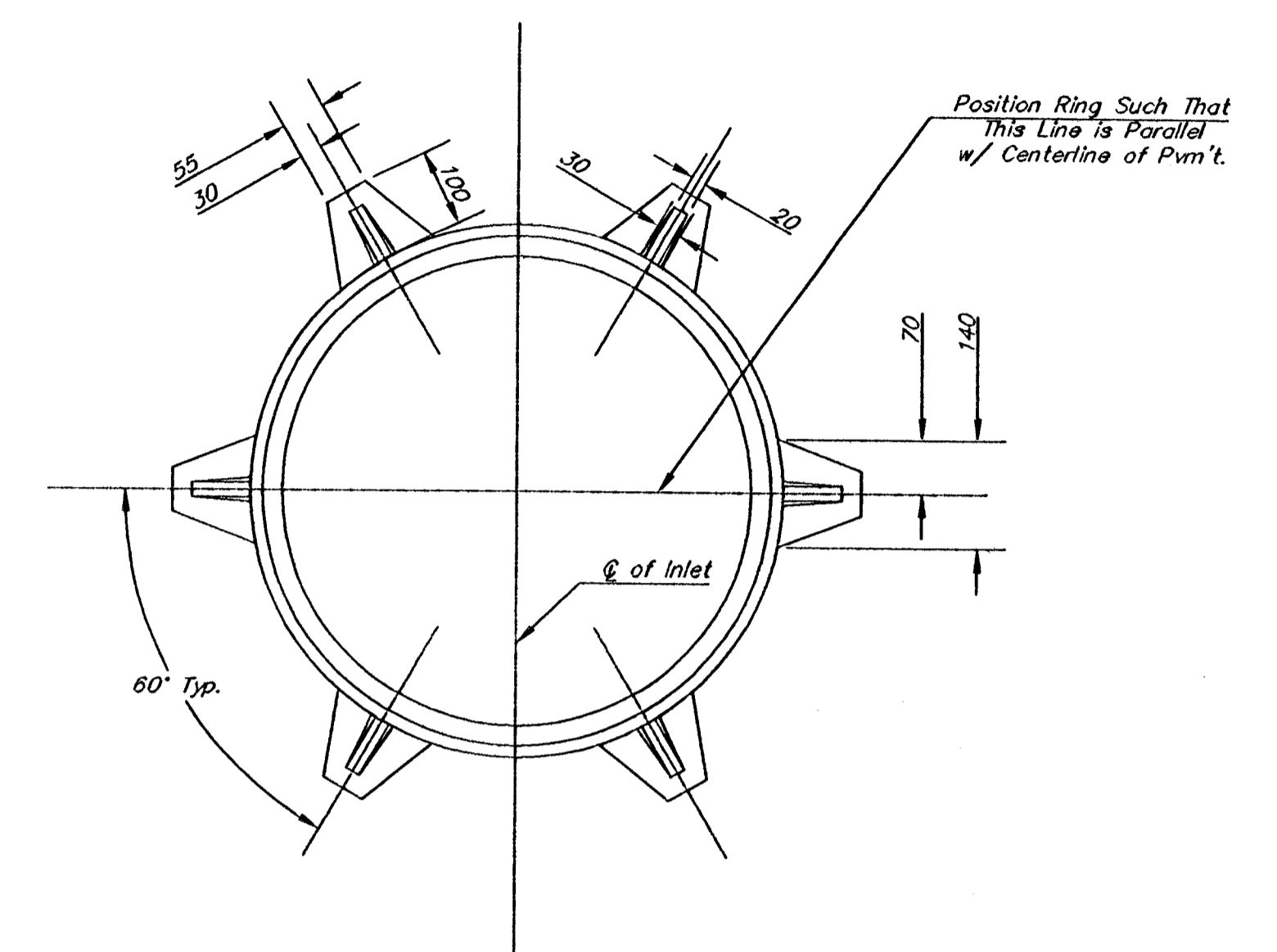
FED. AID NO. CMQ-NO19(901)



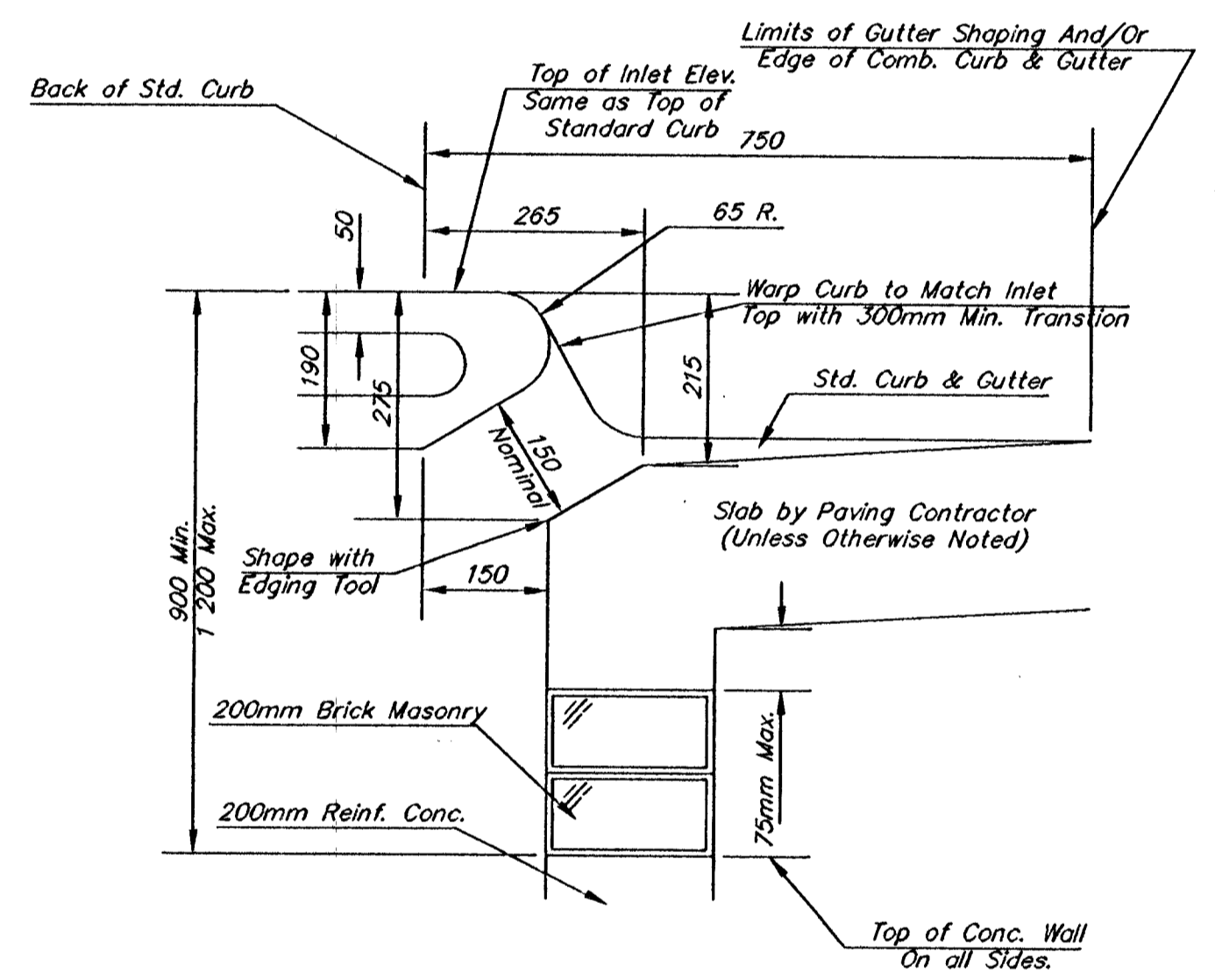
- Notes:
- Inlet Top Reinforcing shall be Spaced on 150mm Max. Centers. Inlet Lids shall be Notched out as Indicated to Facilitate Construction of Curb.
 - b₃ Bar to be Field Bent to Clear Inlet Frame.



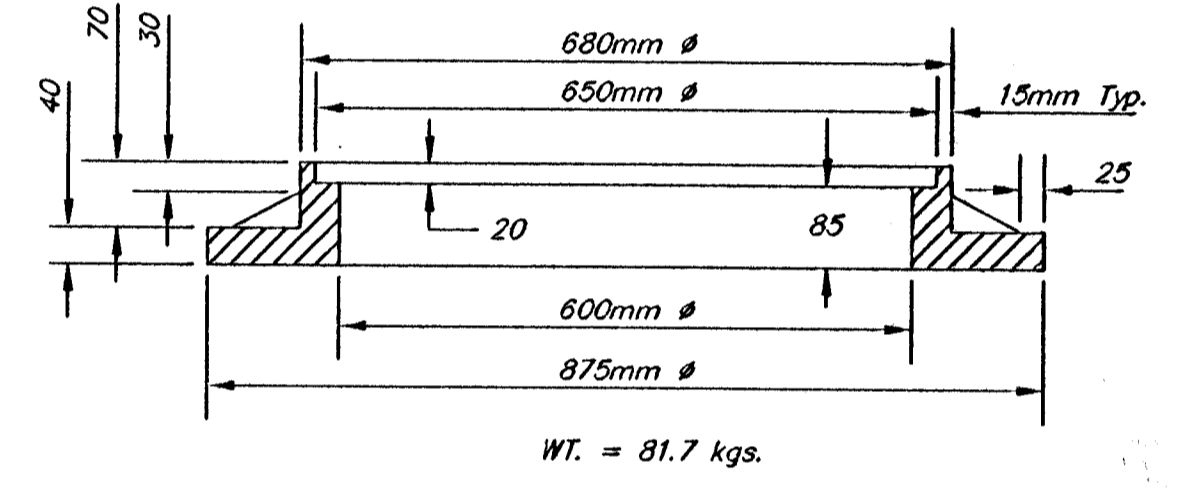
SECTION A-A



SECTION C-C

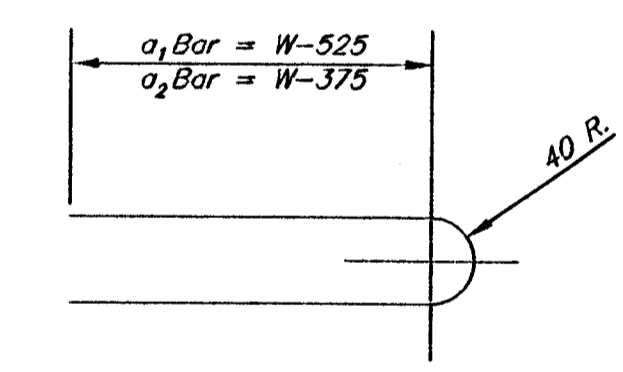


SECTION B-B



MANHOLE RING AND COVER

*See City of Wichita Standard Manhole Ring and Cover Detail Sheet for Cover Details to Be Used With Inlet Frame.



BENDING DIAGRAM

STEEL SCHEDULE

BAR	a ₁	a ₂	a ₃	b ₁					b ₂	b ₃	b ₄	Wt. Kgs.	
				#1 300	#1 600	#1 900	#2 200	#2 500					
NUMBER	4	4	2	1	3	5	7	9	6	1	1		
SIZE	#4	#4	#4	#4	#4	#4	#4	#4	#4	#4	#6		
LENGTH	W=1 300	1 675	1 975	1 200	1 825	-	-	-	525	1 850	1 400	27±	
	W=1 600	2 275	2 575	1 500	-	1 825	-	-	525	1 850	1 400	37±	
	W=1 900	2 875	3 175	1 800	-	-	1 825	-	525	1 850	1 400	46±	
	W=2 200	3 475	3 775	2 100	-	-	-	1 825	-	525	1 850	1 400	55±
	W=2 500	4 075	4 375	2 400	-	-	-	-	1 825	525	1 850	1 400	64±

Note: a₃ Bars to be Placed Approx. 50mm Below Top of Inlet Cover.

STANDARD CURB INLET PRECAST TOPS

W	PRE-CAST TOP SIZE	PIPE SIZE	CU. YD. CONC.
1 300	1 100 x 1 900 x 190	525mm & SMALLER	0.29±
1 600	1 400 x 1 900 x 190	600mm & 750mm	0.39±
1 900	1 700 x 1 900 x 190	900mm & 1050mm	0.49±
2 200	2 000 x 1 900 x 190	1200mm & 1350mm	0.59±
2 500	2 300 x 1 900 x 190	1500mm & 1650mm	0.69±

GENERAL NOTES

- Concrete tops to be installed on thin mortar cushion to insure full support along brick walls. Concrete tops may be cast in place or precast. Concrete used for inlet construction shall be concrete pavement mix.
- Contractor shall have the option of constructing 200mm brick masonry walls between the concrete inlet base and top on this inlet when W=1900mm and H=2100mm or less.
- Inlet invert shall be shaped with 8 sack sand mix concrete to create flow channels and to increase hydraulic efficiency such that the inlet will be self cleaning between all inlet and/or outlet pipes.
- The ends of all pipes installed in inlets shall be cut off flush with the inside face of the inlet wall.

STANDARD TYPE 1 CURB INLET
OPENING = 150mm x 1 500mm

HWS Consulting Group Inc. Omaha Office
 10844 Old Mill Rd., Ste 1
 Omaha, NE 68154
 Phone: (402) 333-5792
 Fax: (402) 333-2248

Designed By: GWE
 Drawn By: HS, IS
 Checked By: RJK
 Date: 3-25-2002
 Job No. 55-70-2003