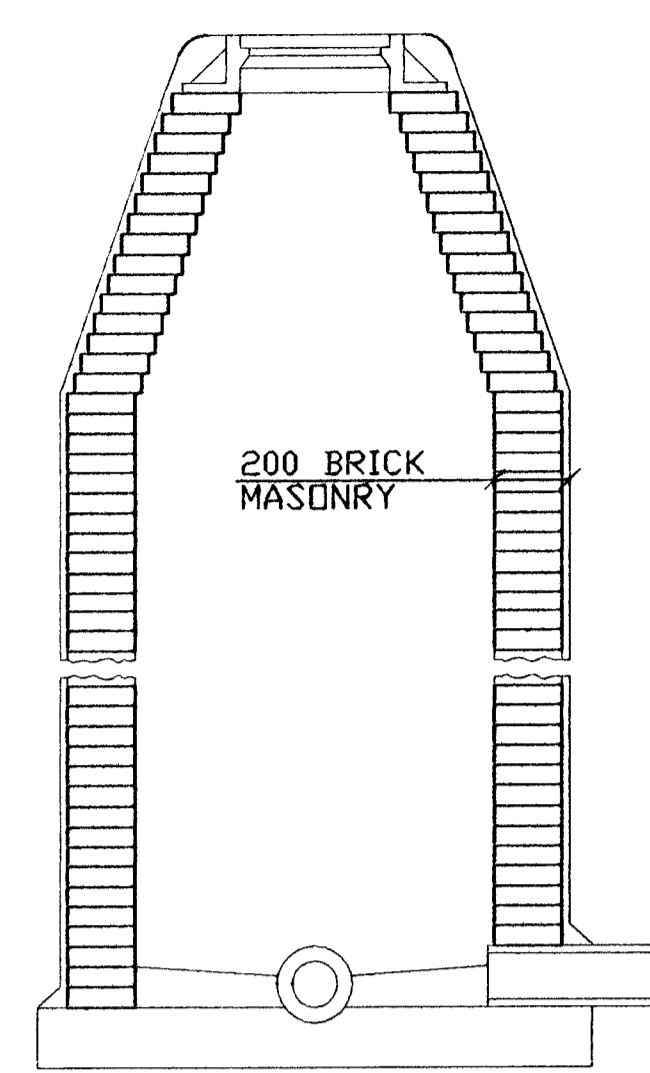
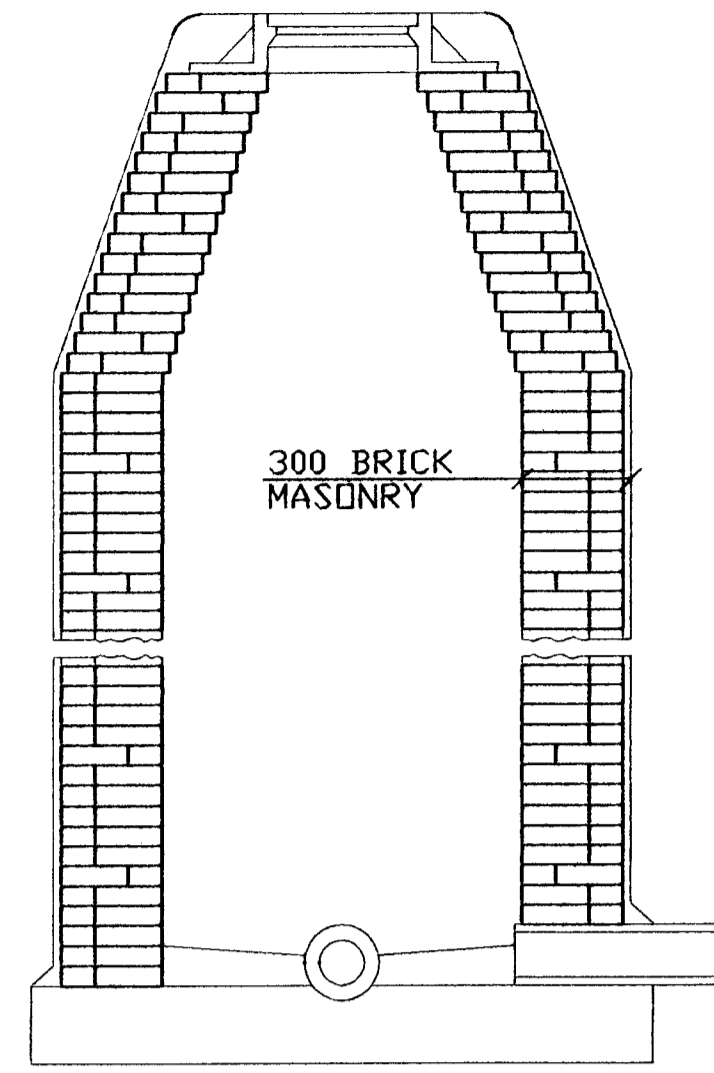


FHWA REG. NO.	STATE	PROJECT NO.	YEAR	SHEET NO.	TOTAL SHEETS
7	KANSAS	87 N-0199-01	2002	114	158

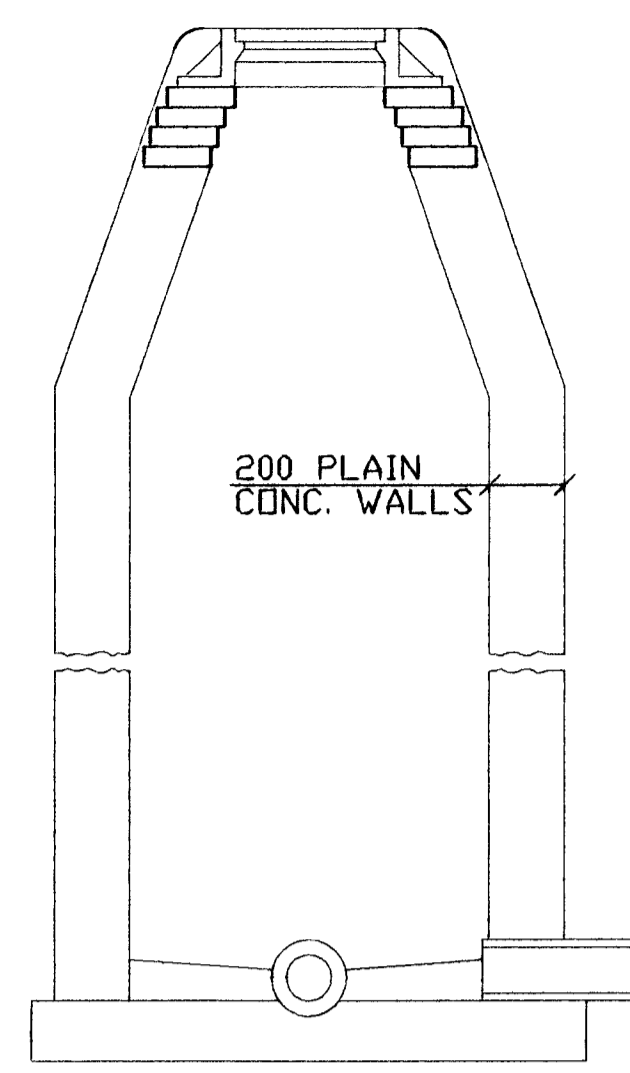
FED. AID NO. CMQ-NO19(901)



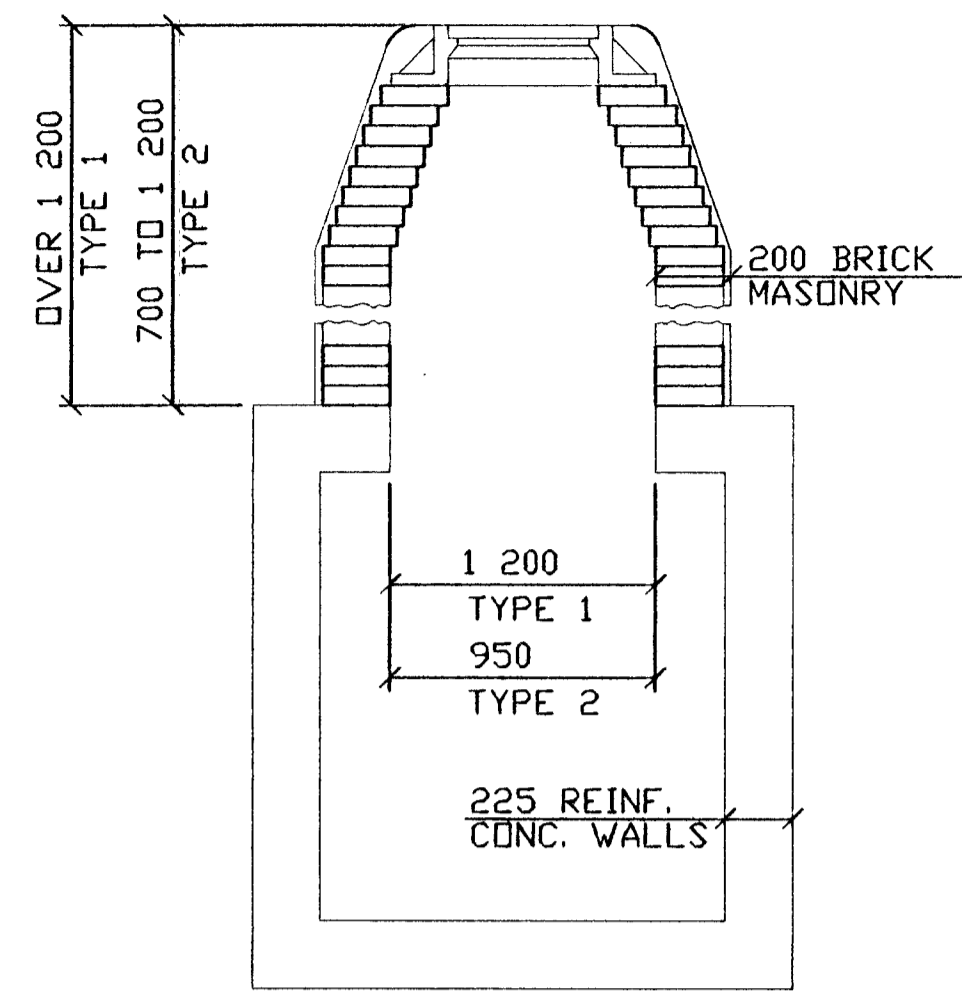
TYPE A
SINGLE WALL BRICK MASONRY



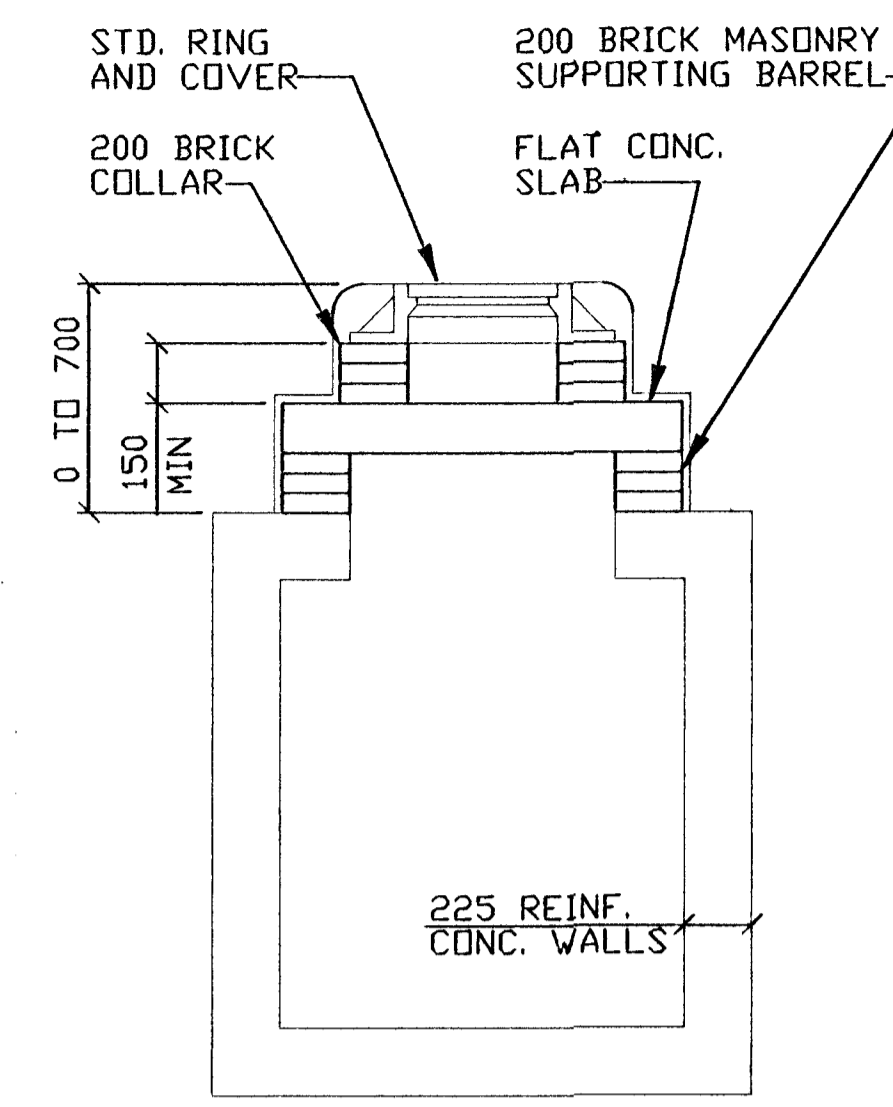
TYPE B
DOUBLE WALL BRICK MASONRY



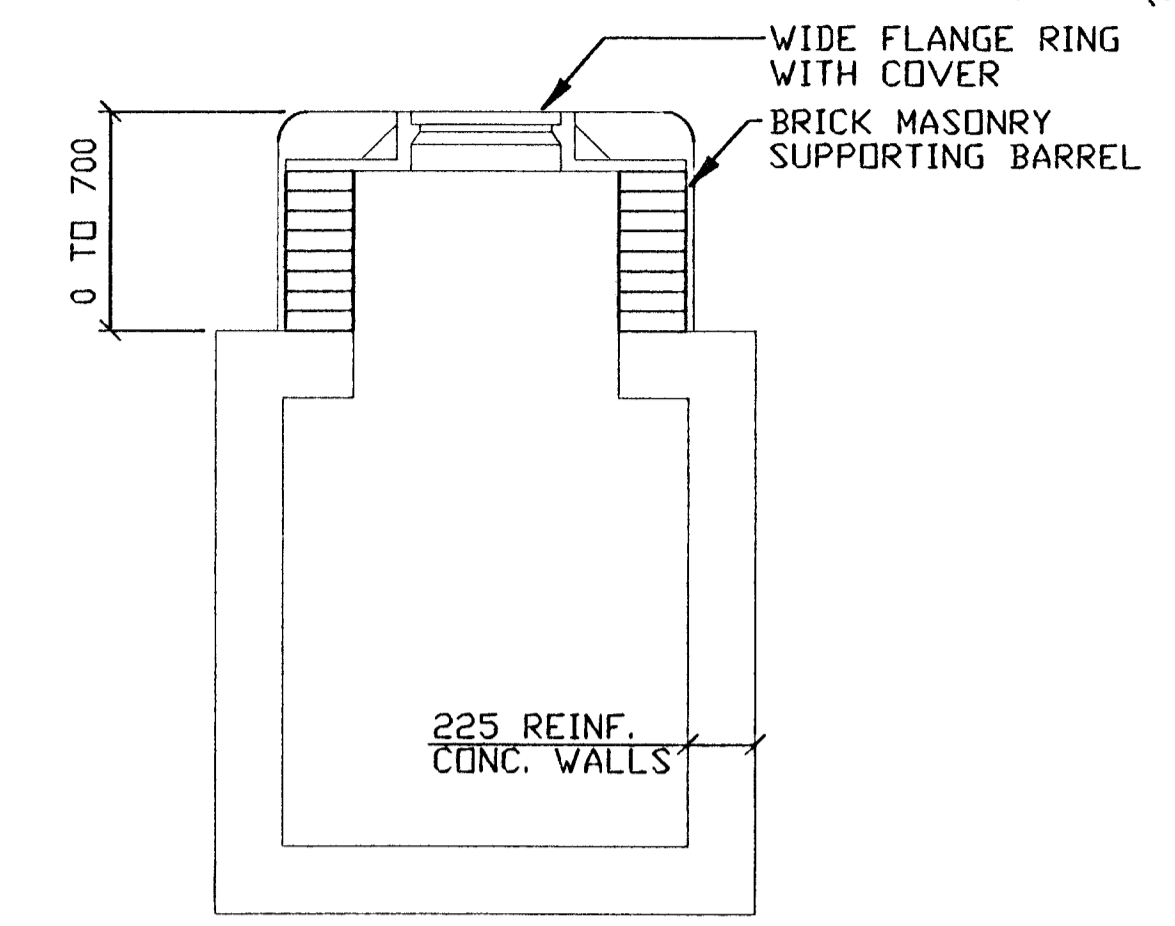
TYPE C
CAST IN PLACE
(TYPE D IS PLASTIC LINED & HAS BRICK DRAW)



TYPE 1 & 2
REINFORCED CONCRETE

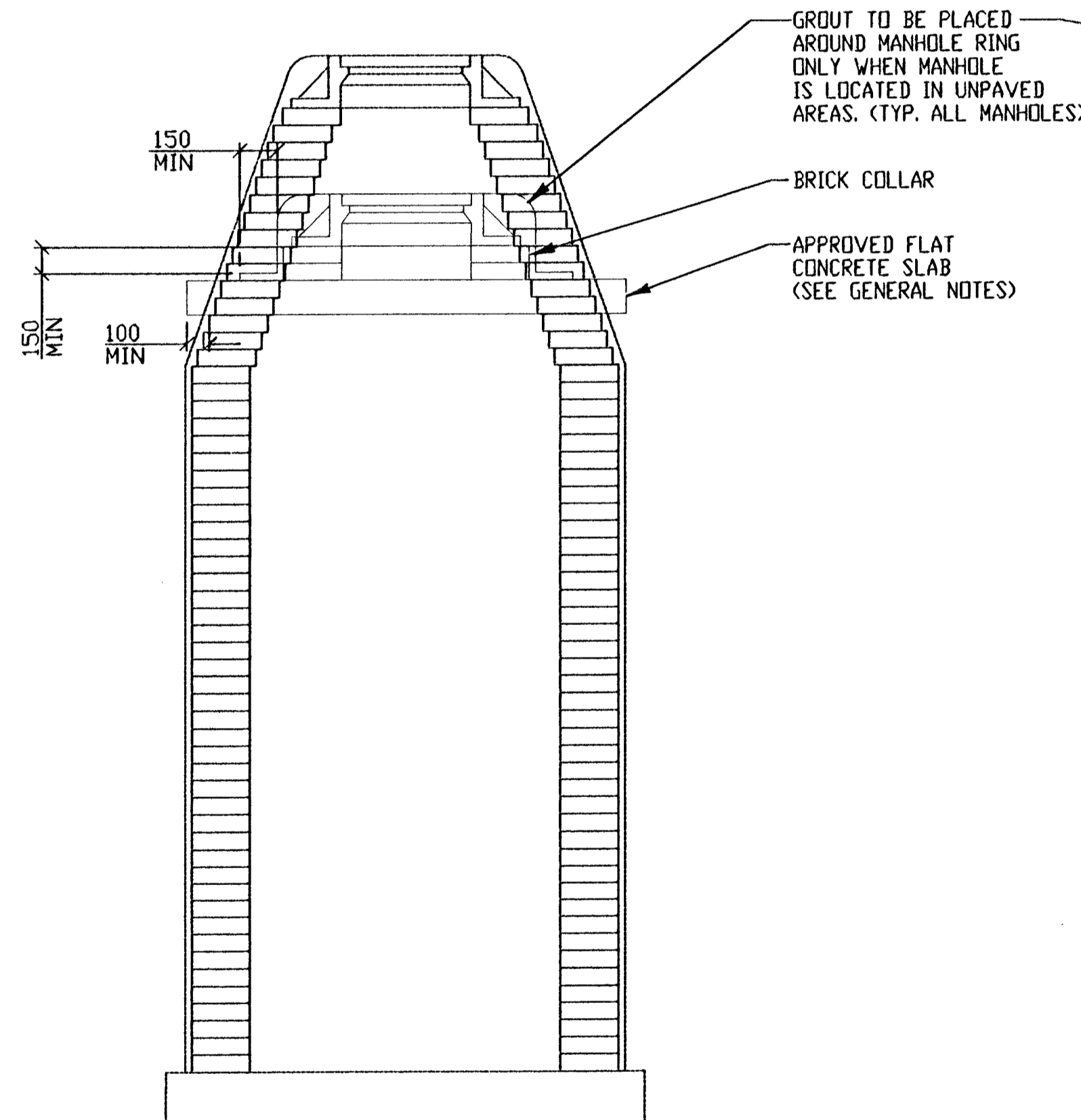


TYPE 3
REINFORCED CONCRETE

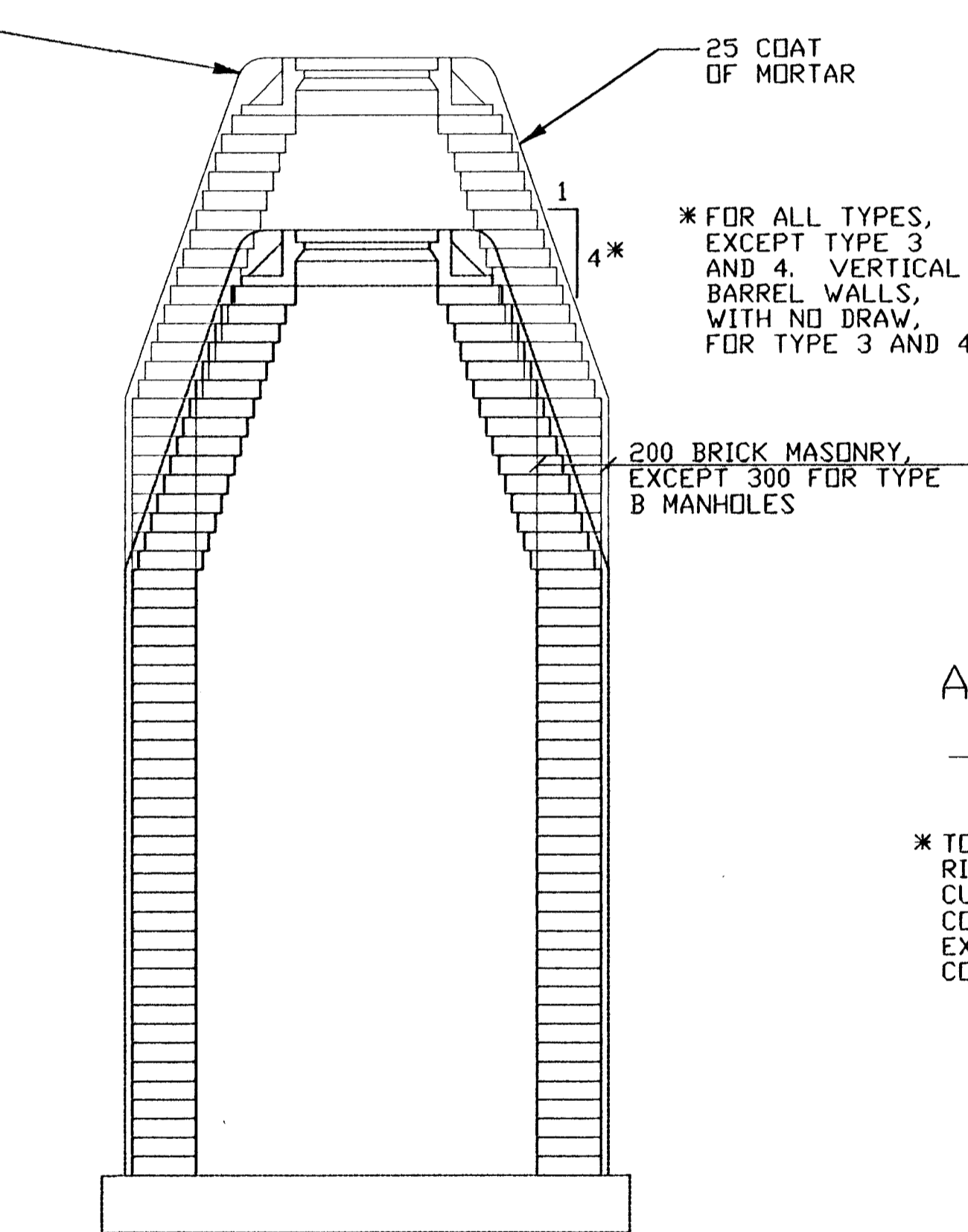


TYPE 4
REINFORCED CONCRETE
(WIDE FLANGE RING)

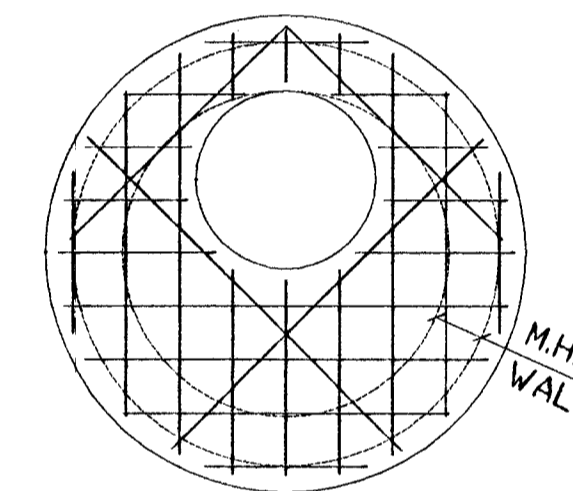
DEFINITION SKETCHES - CITY OF WICHITA STANDARD MANHOLES



DOWNWARD ADJUSTMENT
(GREATER THAN 300 mm)
ALL TYPES

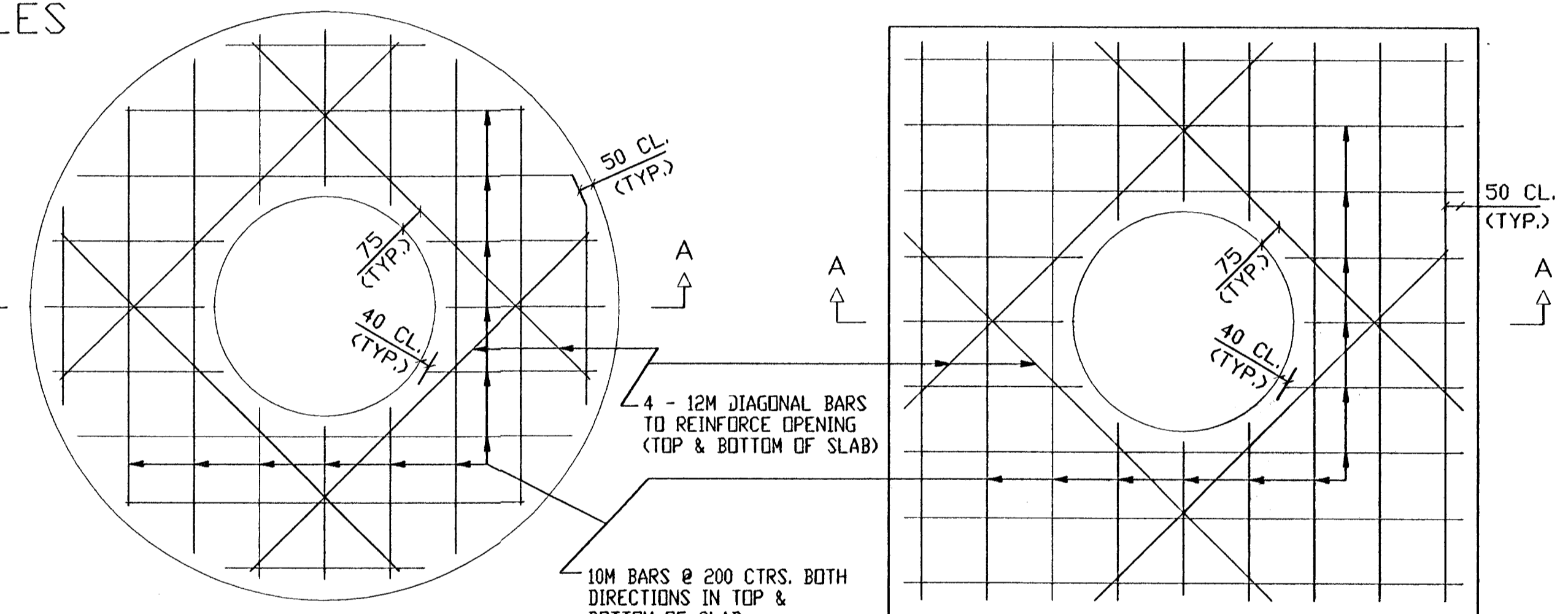


UPWARD ADJUSTMENT
(GREATER THAN 300 mm)
ALL TYPES

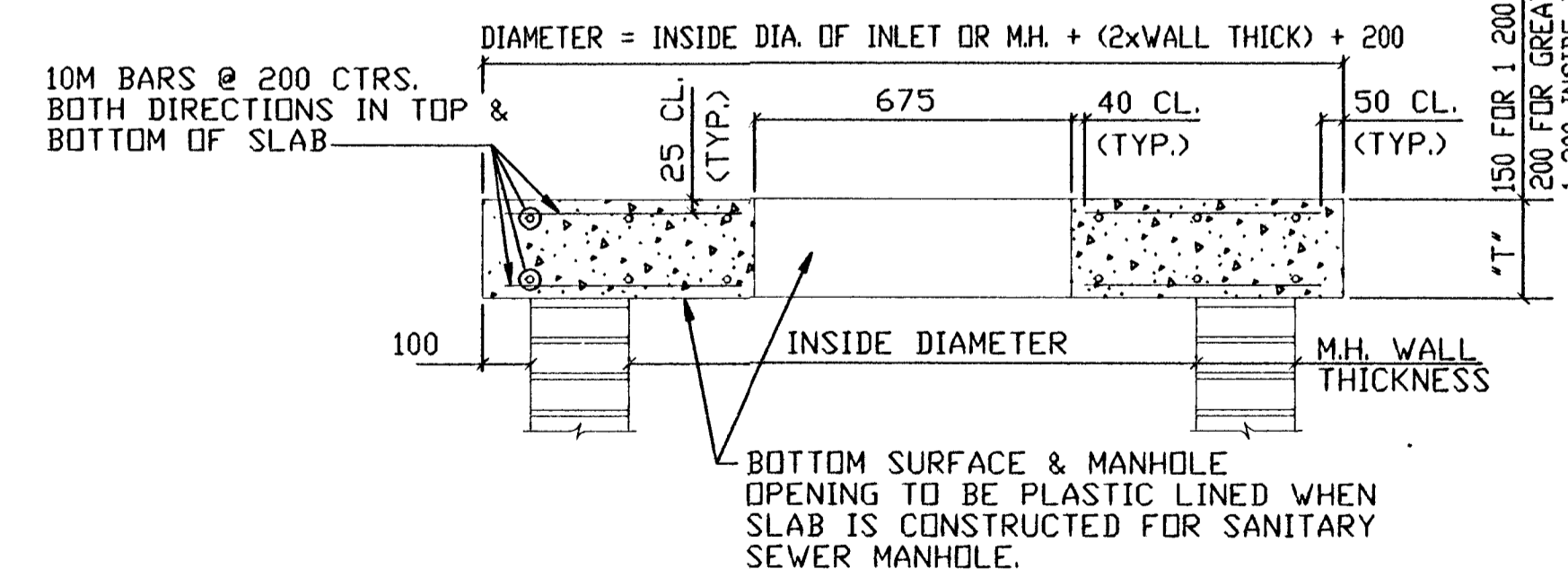


*** PLAN ALTERNATE OPENING LOCATION**

* TO BE USED ONLY IF NECESSARY TO KEEP RING AND COVER FROM CONFLICTING WITH CURB OR COMBINED CURB AND GUTTER. FLAT CONCRETE SLAB SHALL BE ROTATED IN EXISTING MANHOLE TO POSITION RING AND COVER IN PAVEMENT OR BEHIND CURB.



PLAN



SECTION A - A

FLAT CONCRETE SLAB DETAILS

THE APPROPRIATE PORTIONS OF THE DRAW AND BARREL OF TYPE A, B, C, D, 1 AND 2 MANHOLES SHALL BE REMOVED. A FLAT CONCRETE SLAB SHALL BE PLACED AND THE RING AND COVER RESET. ALL WORK AND MATERIALS SHALL CONFORM TO THE DETAILS SHOWN AND THE GENERAL NOTES.

COURSES OF BRICK BARREL SUPPORTING THE WIDE FLANGE RING FOR TYPE 4 MANHOLES AND FLAT CONCRETE SLAB FOR TYPE 3 MANHOLES SHALL BE REMOVED AS NECESSARY PRIOR TO RESETTING THE WIDE FLANGE RING OR FLAT CONCRETE SLAB AND RING. ALL WORK AND MATERIALS SHALL CONFORM TO THE DETAILS SHOWN AND THE GENERAL NOTES.

THE ENTIRE DRAW OF TYPES A, B, C, D, 1 AND 2 MANHOLES SHALL BE REMOVED, THE MANHOLE BARREL RAISED THE APPROPRIATE AMOUNT, A NEW DRAW CONSTRUCTED, AND THE RING AND COVER RESET. THE UPPER PORTION OF TYPE 3 MANHOLES SHALL BE REMOVED TO THE BOTTOM OF THE FLAT CONCRETE SLAB, THE BRICK MASONRY BARREL SUPPORTING THE SLAB SHALL BE RAISED THE APPROPRIATE AMOUNT, AND THE SLAB AND RING AND COVER RESET. THE WIDE FLANGE RING AND COVER OF TYPE 4 MANHOLES SHALL BE REMOVED, THE BRICK MASONRY BARREL SUPPORTING THE RING SHALL BE RAISED THE APPROPRIATE AMOUNT AND THE RING AND COVER RESET. ALL WORK REQUIRED FOR A GREATER THAN 300 mm UPWARD ADJUSTMENT OF ANY MANHOLE SHALL BE ACCOMPLISHED WITH BRICK MASONRY IN ACCORDANCE WITH THE DETAILS SHOWN AND THE GENERAL NOTES.

INLET / MANHOLE ADJUSTMENT DETAILS

HWS Consulting Group Inc. Omaha Office
10844 Old Mill Rd., Ste 1
Omaha, NE 68154
Phone: (402) 333-5792
Fax: (402) 333-2248

Designed By: EWE	Checked By: RJK
Drawn By: HS, JS	Date: 3-25-2002 Job No. 55-70-2003