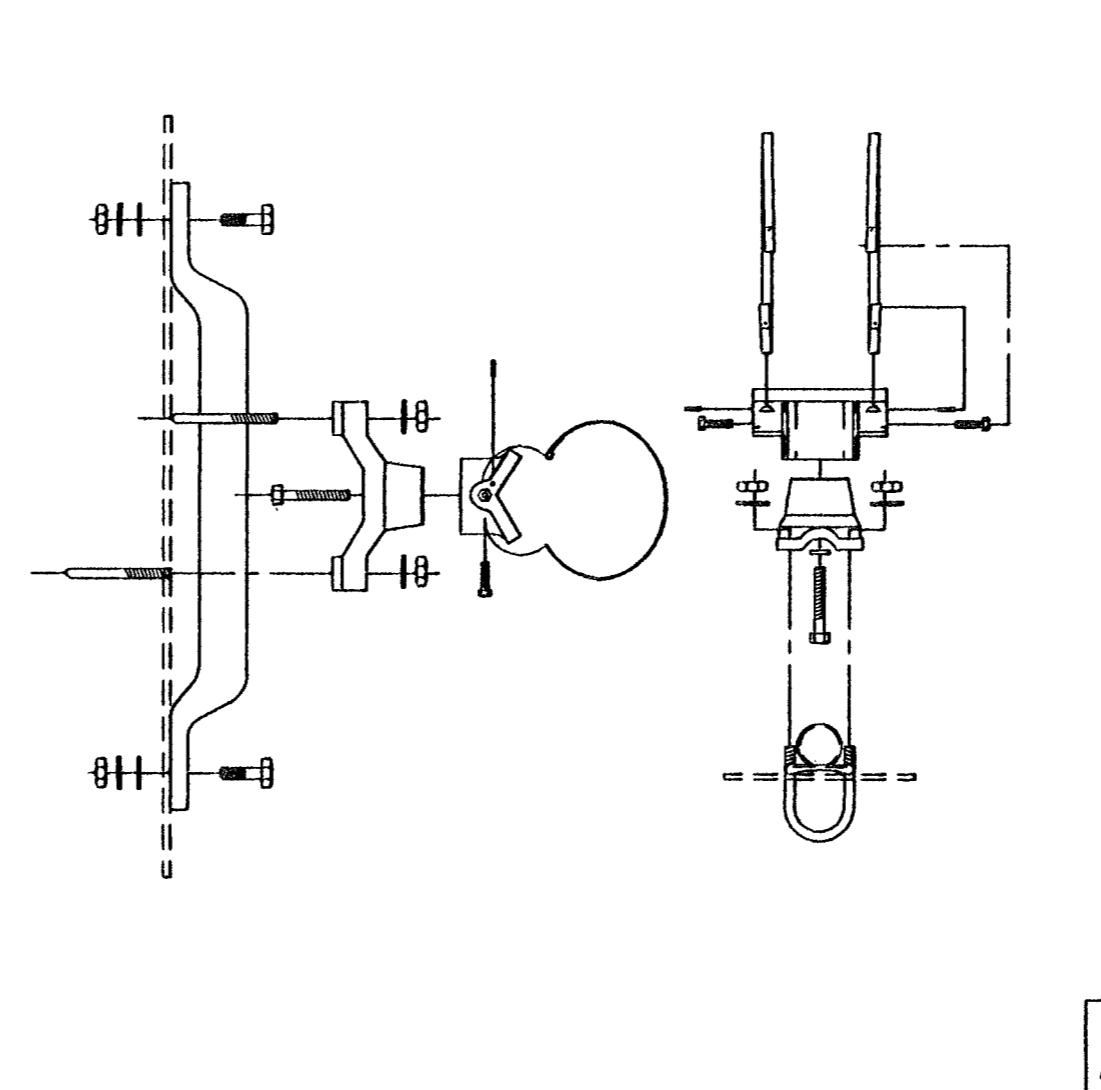
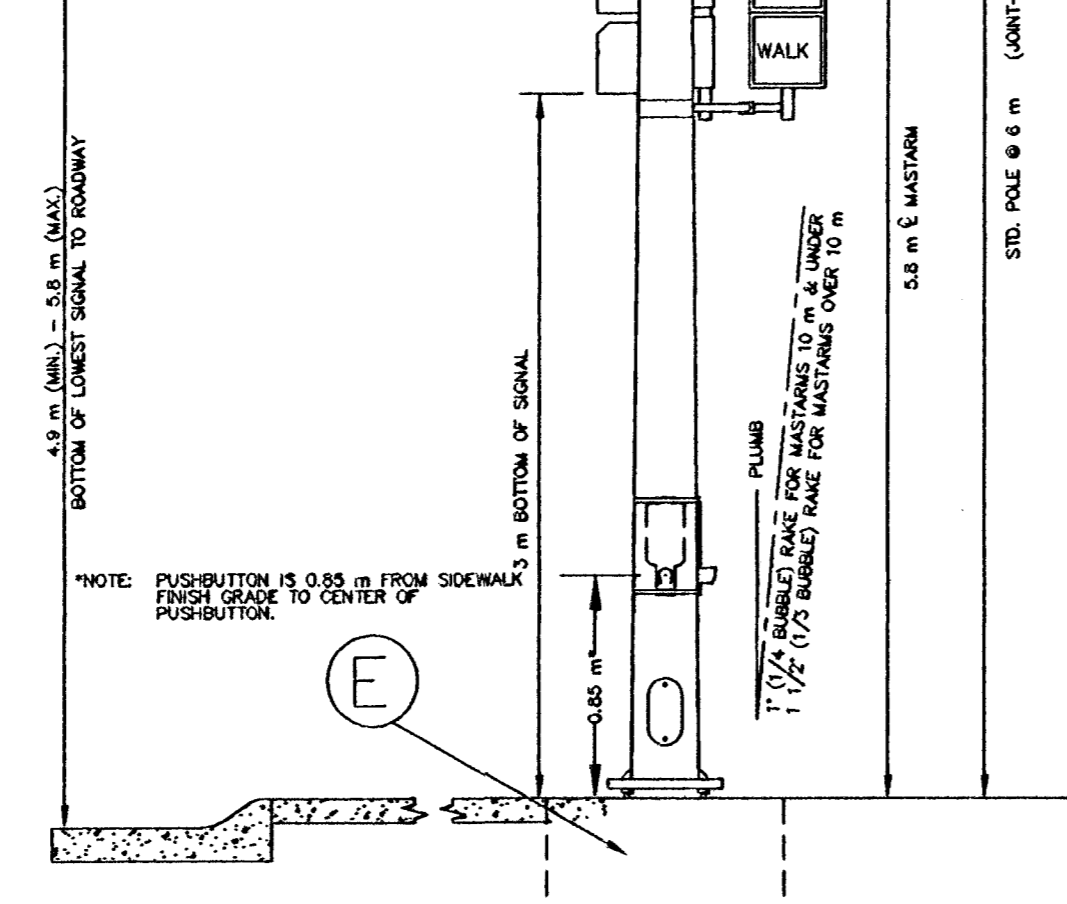
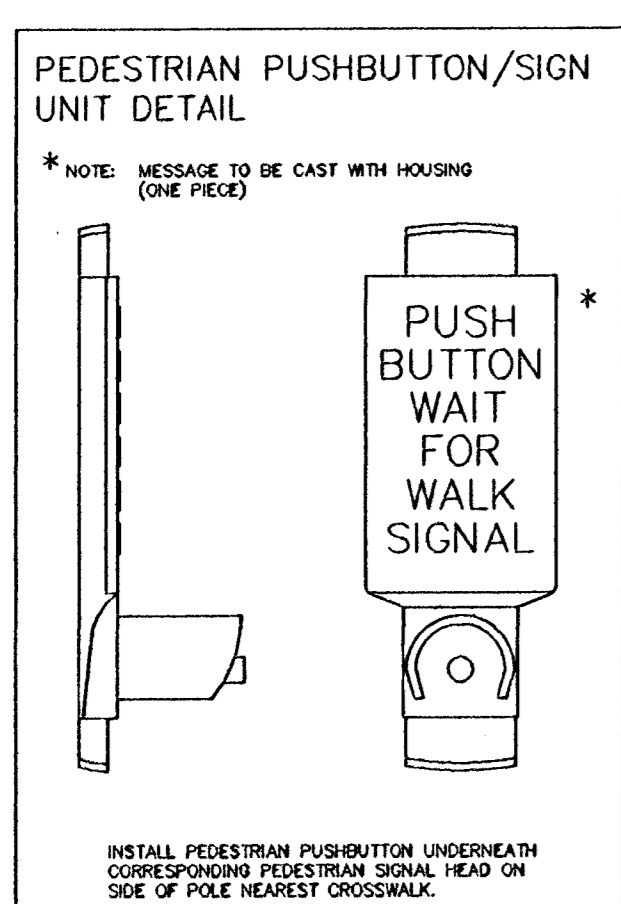
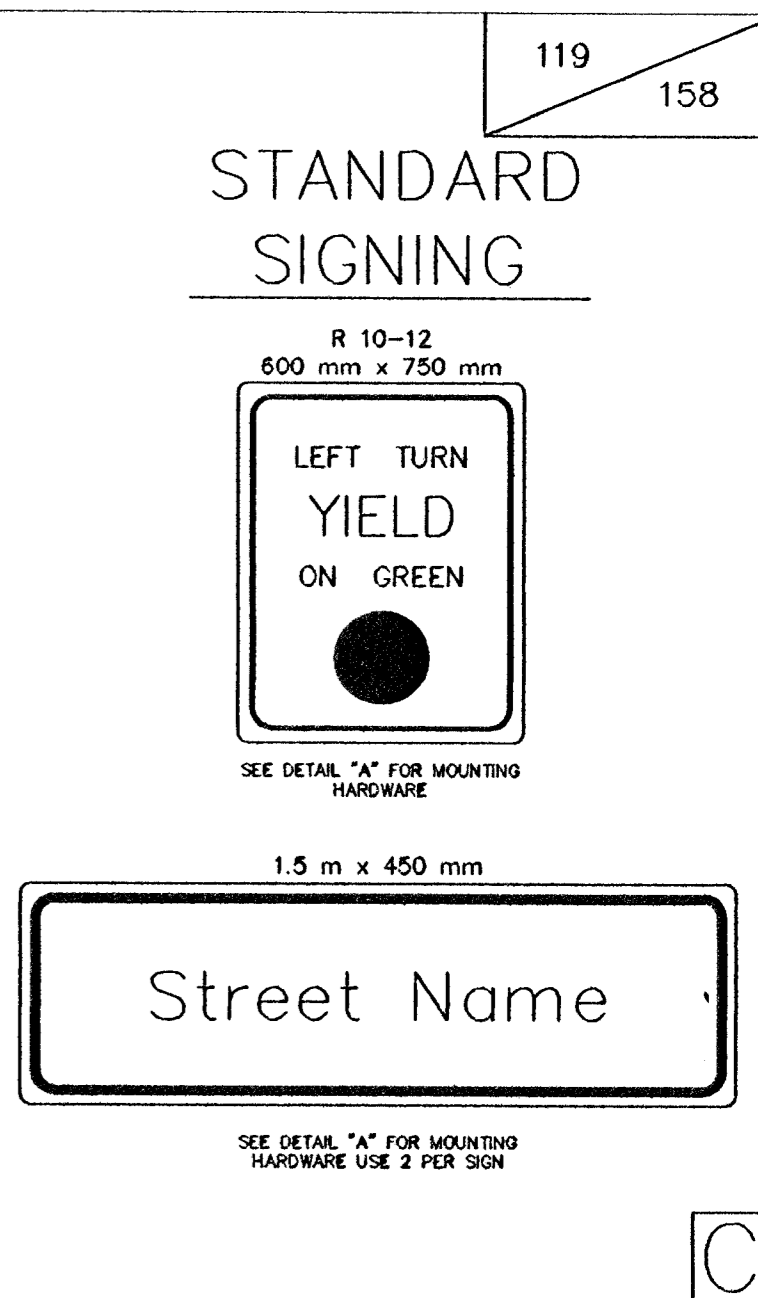
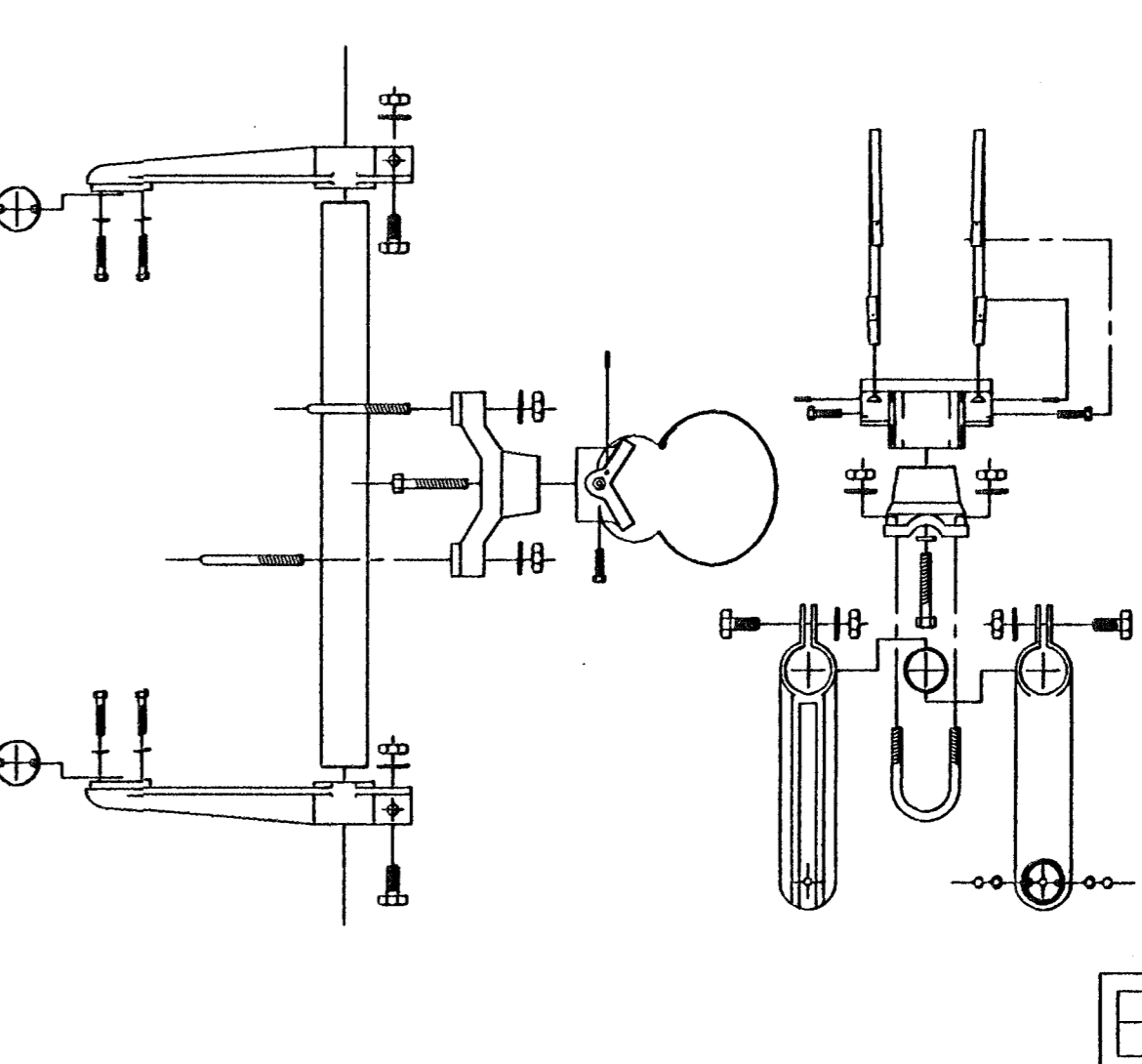


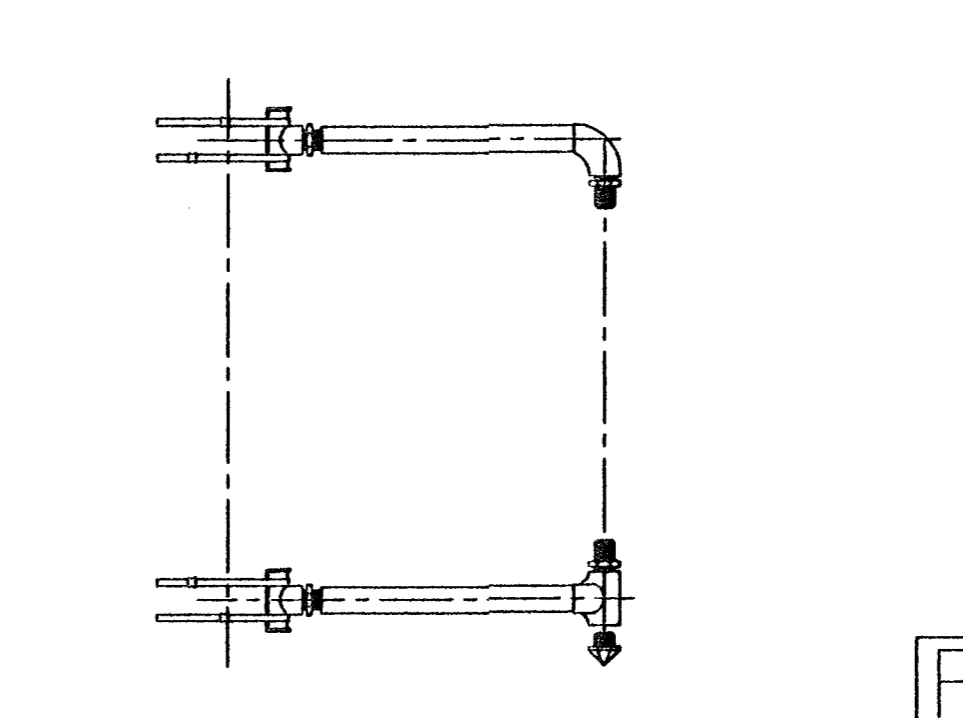
MOUNTING BRACKET DETAIL BANNED SIGN



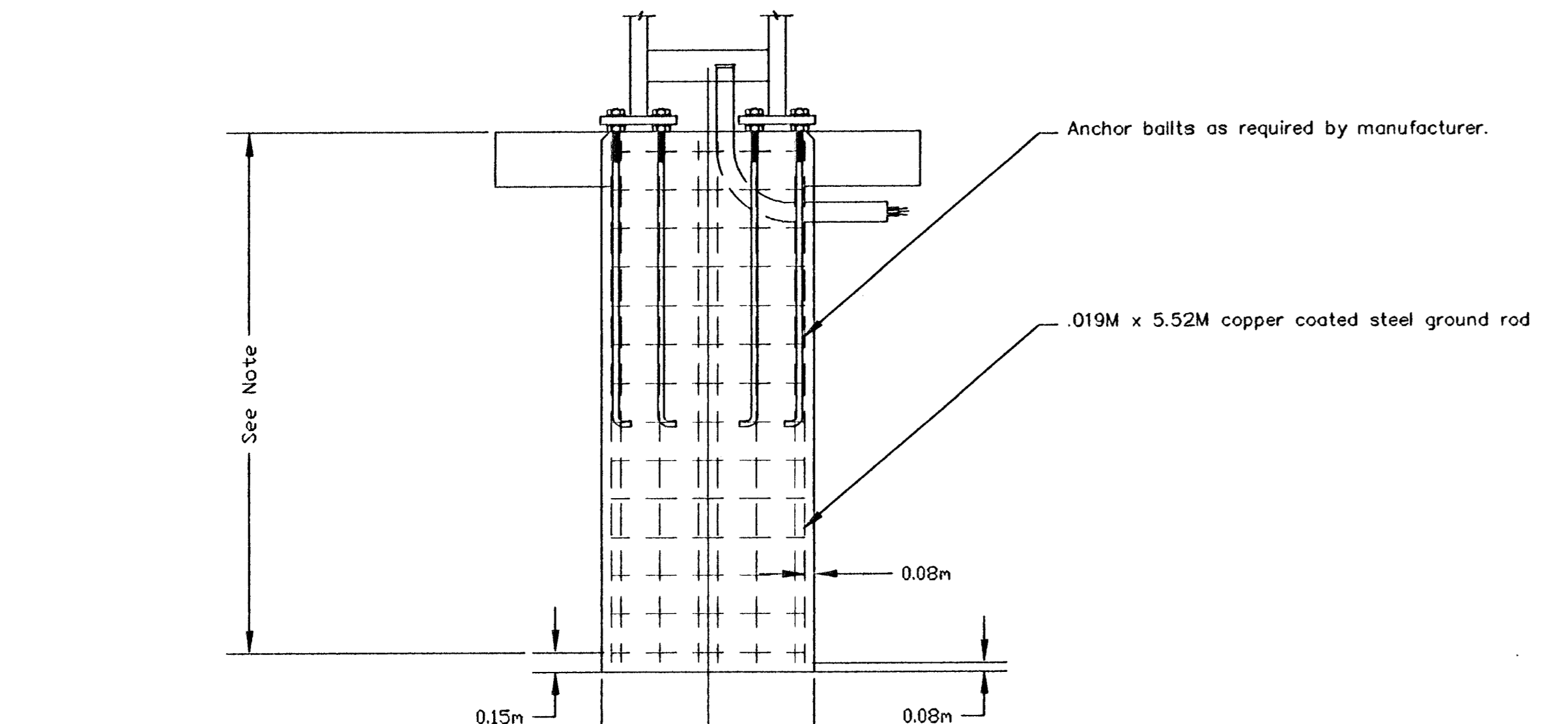
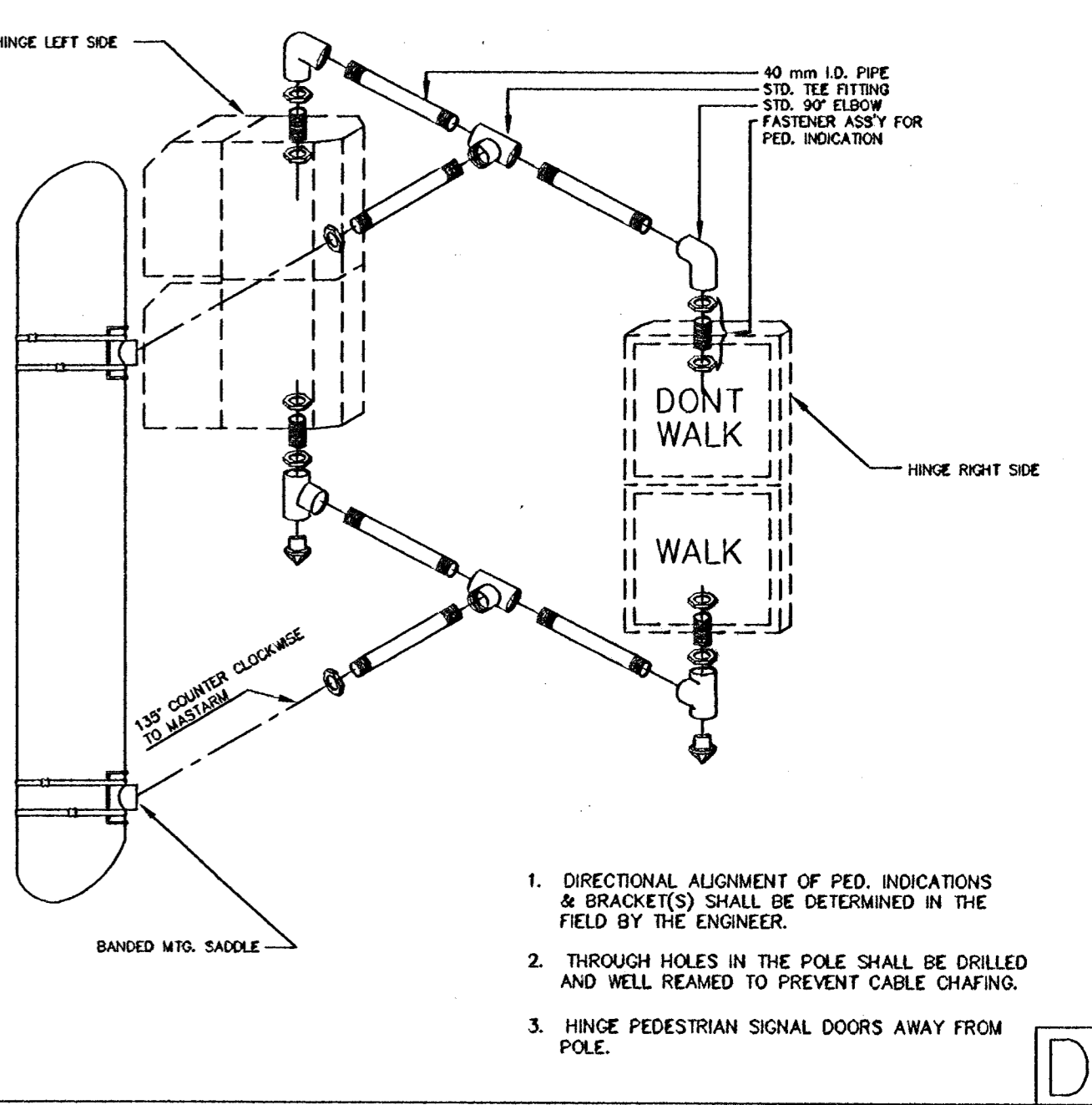
TYPE I SIGNAL MOUNTING BRACKET ASSEMBLY DETAIL



TYPE III SIDE-OF-POLE MOUNTING BRACKET ASSEMBLY

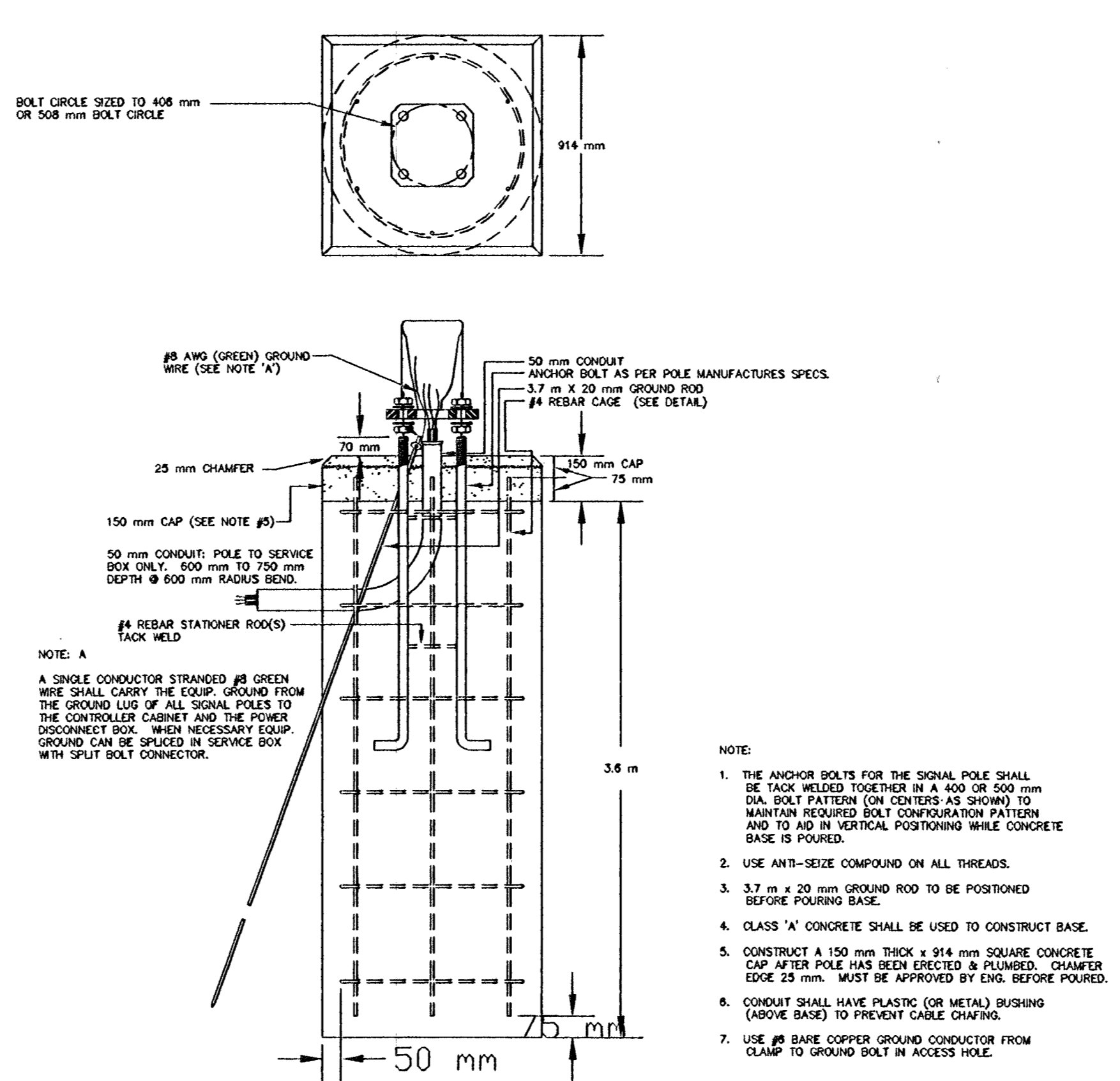


TYPE II SIGNAL MOUNTING BRACKET ASSEMBLY (SIDE-OF-POLE)

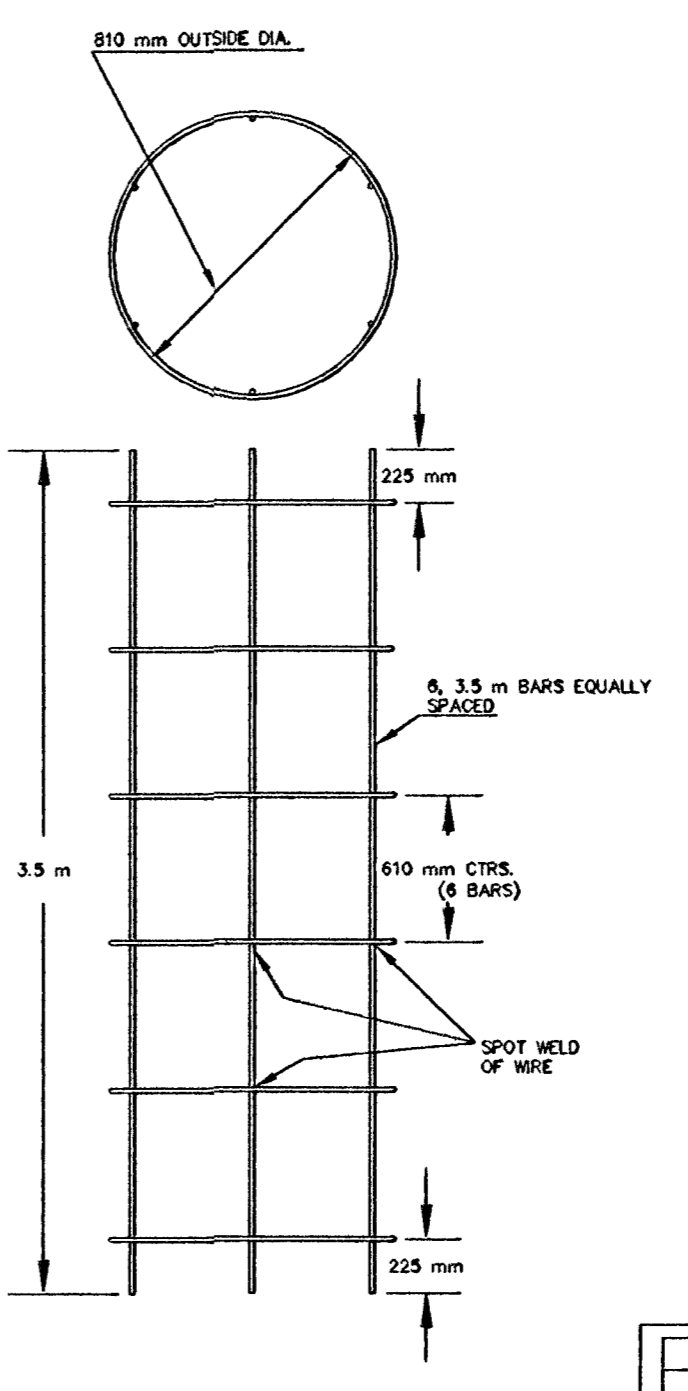


NOTE:
 Foundations for Mast Arm Poles shall be 1.68m DIA. x 4.27m deep. Reinforcing bars shall be 16-#6 vertical bars with #4 circular tie bars @ 0.30 centers.
 Foundations for Pedestal Poles shall be 1.22m DIA. x 2.74m deep. Reinforcing bars shall be 16-#6 vertical bars with #4 circular tie bars @ 0.30 centers.

CITY SCAPE SIGNAL POLE FOUNDATION



REBAR CAGE



- NOTE:
1. THE ANCHOR BOLTS FOR THE SIGNAL POLE SHALL BE TACK WELDED TOGETHER IN A 400 OR 500 mm DIA. BOLT PATTERN (ON CENTERS AS SHOWN) TO MAINTAIN REQUIRED BOLT CONFIGURATION PATTERN AND TO AID IN VERTICAL POSITIONING WHILE CONCRETE BASE IS POURED.
 2. USE ANTI-SEIZE COMPOUND ON ALL THREADS.
 3. 3.7 m x 20 mm GROUND ROD TO BE POSITIONED BEFORE POURING BASE.
 4. CLASS 'A' CONCRETE SHALL BE USED TO CONSTRUCT BASE.
 5. CONSTRUCT A 150 mm THICK x 914 mm SQUARE CONCRETE CAP AFTER POLE HAS BEEN ERECTED & PLUMBED. CHAMFER EDGE 25 mm. MUST BE APPROVED BY ENG. BEFORE POURING.
 6. CONDUIT SHALL HAVE PLASTIC (OR METAL) BUSHING (ABOVE BASE) TO PREVENT CABLE CHAFING.
 7. USE #8 BARE COPPER GROUND CONDUCTOR FROM CLAMP TO GROUND BOLT IN ACCESS HOLE.

PROJECT DESCRIPTION		
STEEL SIGNAL POLE ASSEMBLY DETAILS		
PROJECT NUMBER		
87 N-0199-01		
DRAWN BY: T.M.	APPROVED BY:	REVISED BY: T.M.
DATE: FEB. 96		DATE: MAY97
CITY OF WICHITA DEPARTMENT OF PUBLIC WORKS		
DIVISION OF TRAFFIC ENGINEERING	PAUL GUNZELMAN ACTING TRAFFIC ENGINEER	SCALE NO SCALE