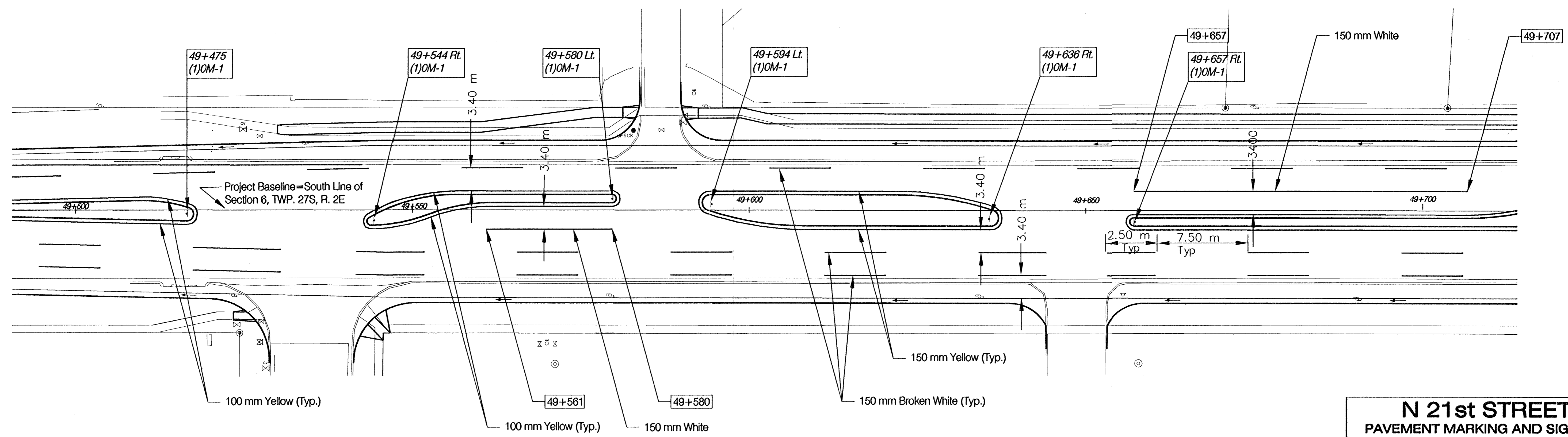
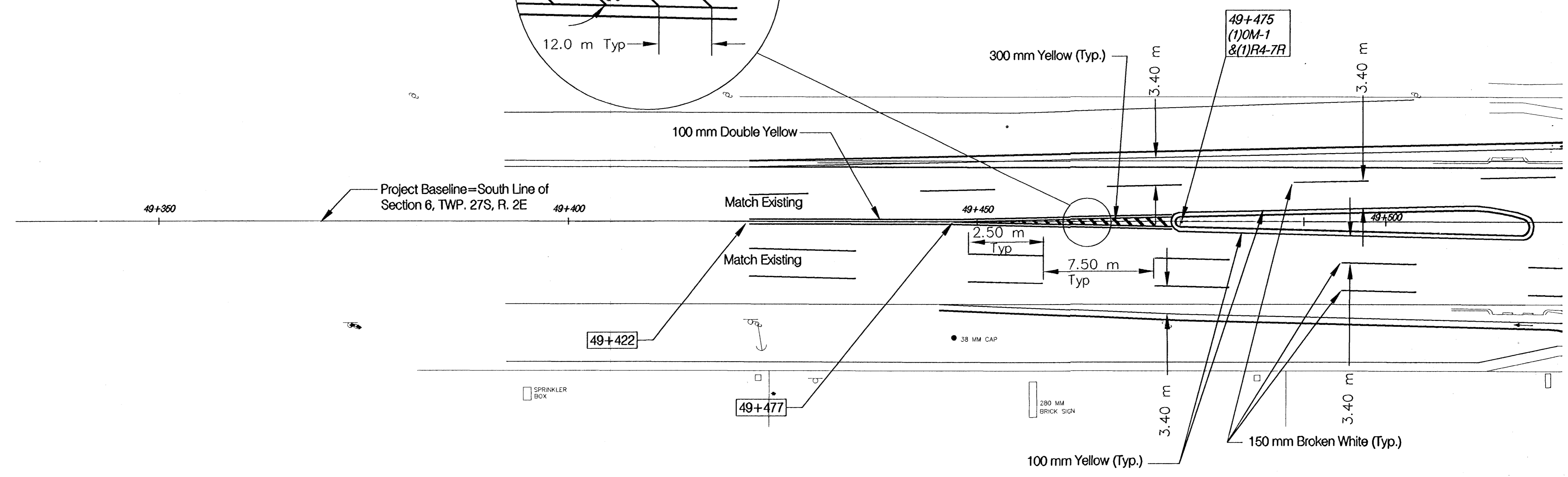
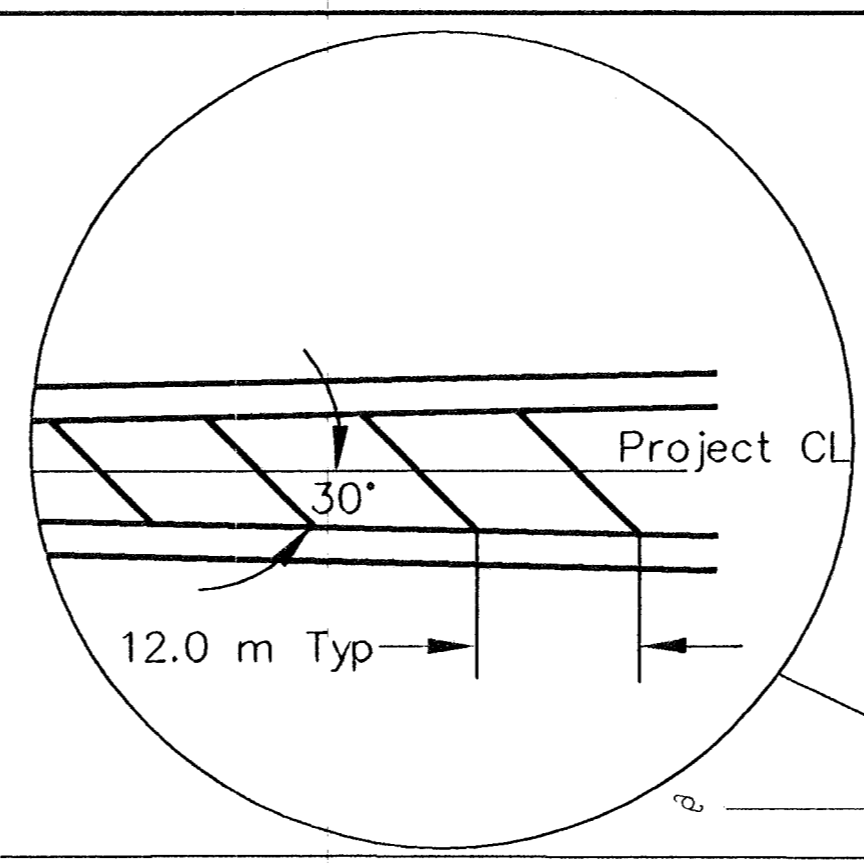


FHWA REG NO.	STATE	PROJECT NO.	YEAR	SHEET NO.	TOTAL SHEETS
7	KANSAS	87 N-0199-01	2002	129	158

FED. AID NO. - CMQ-NO19(901)



N 21st STREET
PAVEMENT MARKING AND SIGNAGE
STA. 49+350 - 49+700

HWS Consulting Group Inc. Omaha Office
10844 Old Mill Rd., Ste 1
Omaha, NE 68154
Phone: (402) 333-5792
Fax: (402) 333-2248

Designed By: EWE	Checked By: RJK
Drawn By: HJS	Date: 03-25-2002 Job No. 55-70-2003

F:\PROJ\55702003\21ST\PLAN-21ST-MARKING.DGN