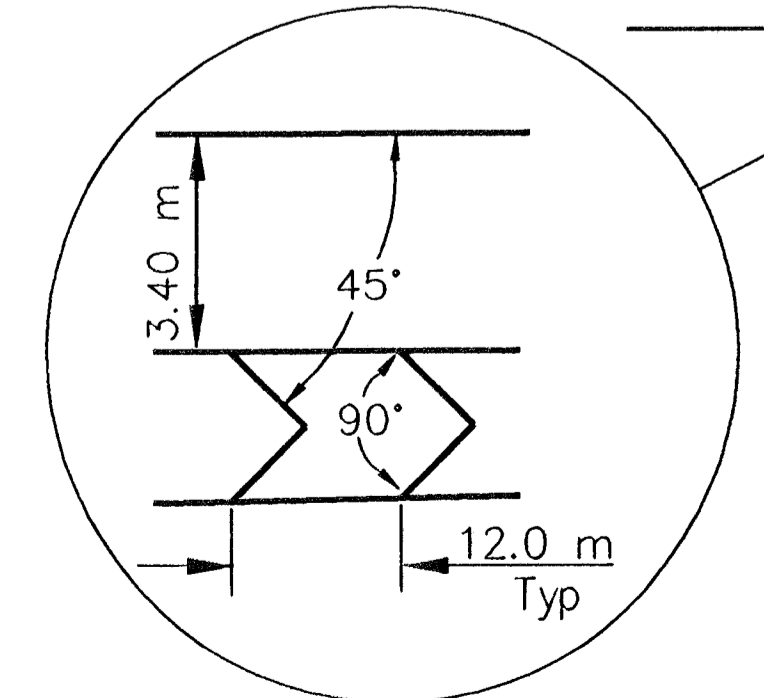
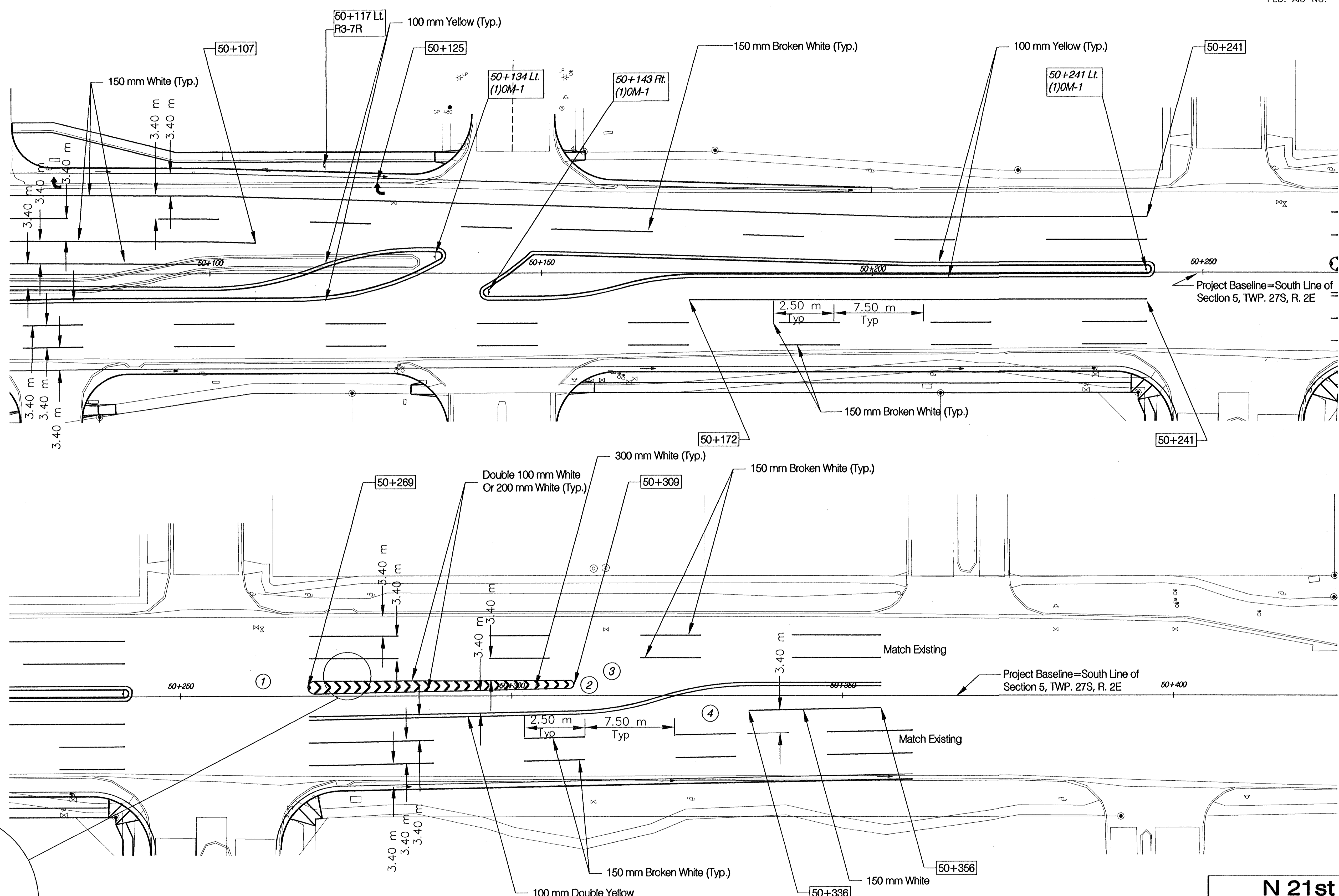


FHWA REG NO.	STATE	PROJECT NO.	YEAR	SHEET NO.	TOTAL SHEETS
7	KANSAS	87 N-0199-01	2002	131	158

FED. AID NO. - CMQ-NO19(901)



- ① 0.970 m R.  
R.P. Sta. = 50+270.125, 1.258 m Lt.  
P.C. Sta. = 50+270.123, 2.228 m Lt.  
P.T. Sta. = 50+270.145, 0.288 m Lt.
- ② 0.600 m R.  
R.P. Sta. = 50+308.765, 1.704 m Lt.  
P.C. Sta. = 50+308.764, 2.304 m Lt.  
P.T. Sta. = 50+308.778, 1.104 m Lt.
- ③ 44.750 m R.  
R.P. Sta. = 50+308.805, 42.214 m Lt.  
P.C. Sta. = 50+309.750, 2.526 m Rt.  
P.T. Sta. = 50+322.449, 0.405 m Rt.
- ④ 0.9700 m R.  
R.P. Sta. = 50+270.125, 1.258 m Lt.  
P.C. Sta. = 50+270.123, 2.228 m Lt.  
P.T. Sta. = 50+270.145, 0.288 m Lt.

**N 21st STREET**  
**PAVEMENT MARKING AND SIGNAGE**  
**STA. 50+100 - 50+400**

**HWS** Consulting Group Inc  
 Omaha Office  
 10844 Old Mill Rd., Ste 1  
 Omaha, NE 68154  
 Phone: (402) 333-5792  
 Fax: (402) 333-2248

Designed By: EWE	Checked By: RJK
Drawn By: HS	Date: 03-25-2002 Job No. 55-70-2003