

FHWA REG NO.	STATE	PROJECT NO.	YEAR	SHEET NO.	TOTAL SHEETS
7	KANSAS	87 N-0199-01	2002	134	158

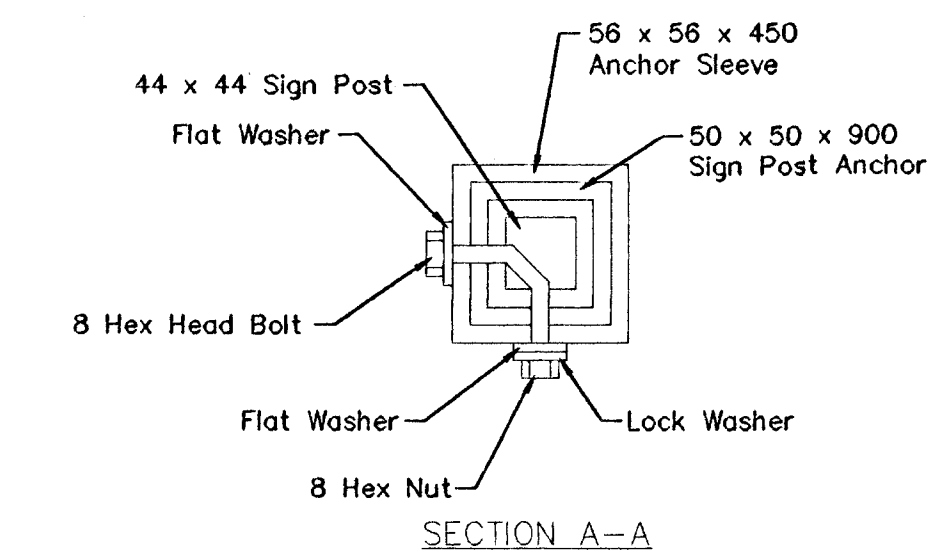
FED. AID NO. CMQ-N019(901)

TRAFFIC CONTROL SIGNS & SIGN POSTS																			
STATION	LOCATION	R1-1	S-1	R2-1	R3-7R	①	②	R3-9b	D9-2	Suppl.	OM-3R	W10-1	R4-7	R1-2	R3-1L	OM-1	R3-2	R6-1R	
Rock Road																			
0+435	RL															1			
0+787	LL															1	1		
0+801	RL															1			1
0+930	LL			1												1			
1+024	RL															1			
N. 21st Street																			
49+475	RL													1		1			
49+544	RL															1			
49+580	LL															1			
49+594	LL															1			
49+636	RL															1			
49+657	RL															1			
49+742	RL															1			
49+767	RL															1			
49+842	RL															1			
49+865	RL															1			
49+908	LL			1												1			
49+973	LL															1			
50+026	RL															1			
50+027	LL															1			
50+077	LL															1			
50+092	RL			1												1			
50+117	LL				1											1			
50+134	LL															1			
50+143	RL															1			
50+241	LL															1			
TOTAL				2	1									1	2	19	1	1	

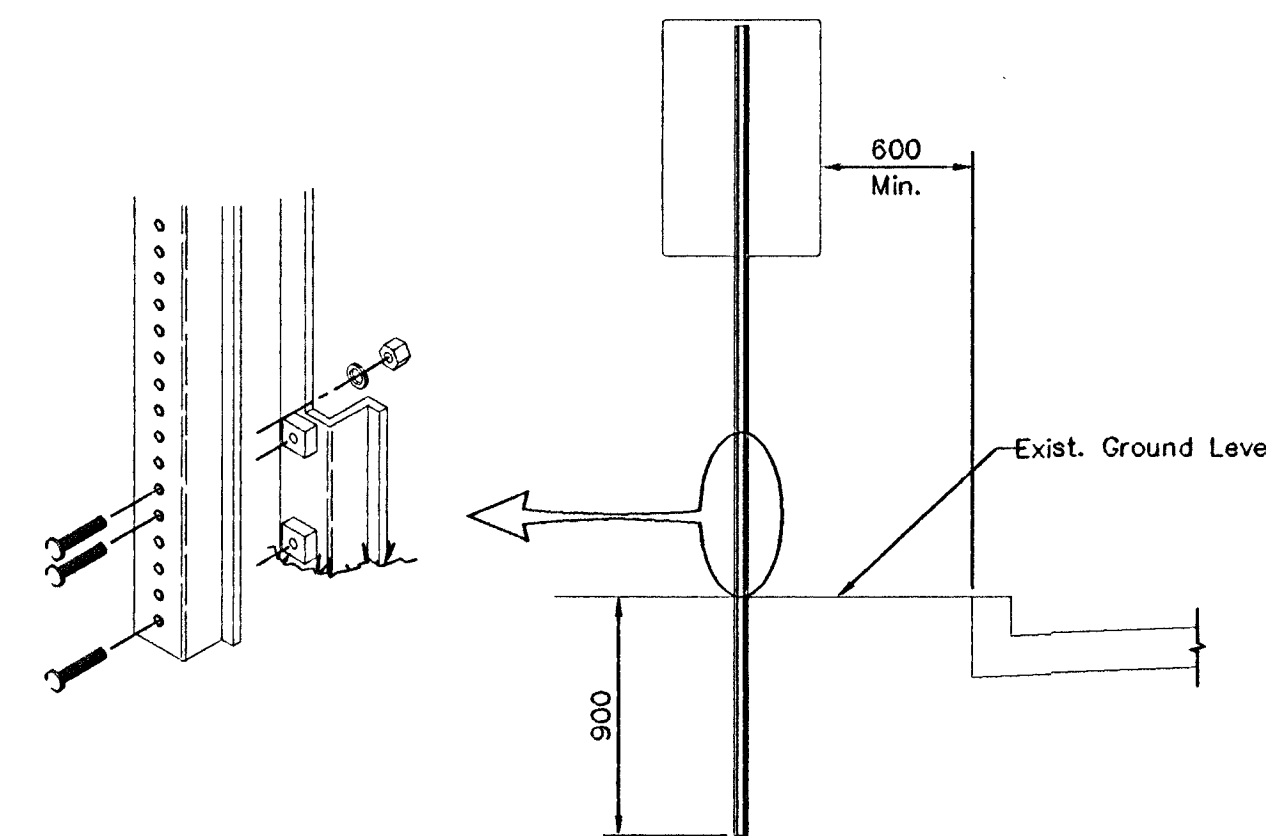
RECAPITULATION OF MATERIALS		
ITEMS	TOTAL	UNIT
SIGNING	LUMP SUM	L.S.

- PAVEMENT INSTALLATION SEQUENCE**
- SIGN POST ANCHOR DRIVEN INTO SUBGRADE PRIOR TO THE PLACEMENT OF THE PAVEMENT.
 - ANCHOR SLEEVE DRIVEN INTO SUBGRADE OVER THE SIGN POST ANCHOR PRIOR TO THE PLACEMENT OF THE PAVEMENT.
 - INSERT SIGN POST INTO THE SIGN POST ANCHOR AND BOLT IN PLACE.

- GROUND INSTALLATION SEQUENCE**
- SIGN POST ANCHOR DRIVEN INTO GROUND.
 - ANCHOR SLEEVE DRIVEN INTO THE GROUND OVER THE SIGN POST ANCHOR.
 - INSERT SIGN POST INTO THE SIGN POST ANCHOR AND BOLT IN PLACE.

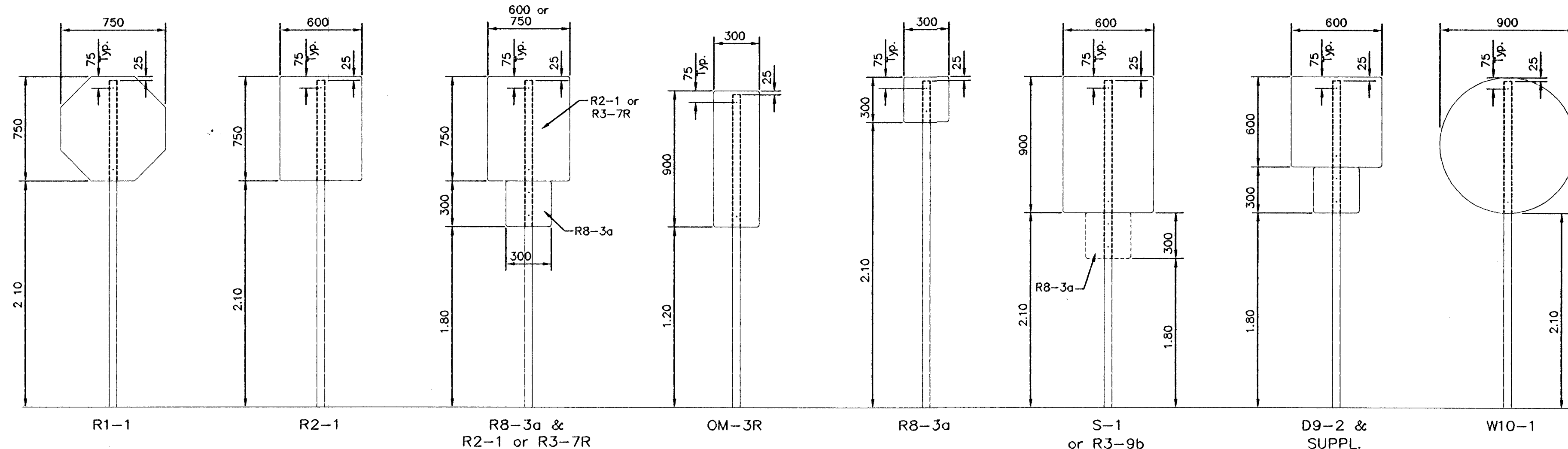


BREAK-AWAY SIGN POST DETAIL



TRAFFIC SIGN INSTALLATION DETAIL FOR SIGNS NOT GREATER THAN 12" WIDE

NOTES:
 IN ALL INSTALLATIONS THE FIRST HOLE ABOVE THE FINISHED GRADE LEVEL IN ALL THREE UNITS MUST BE IN LINE FOR INSERTION OF THE BOLT.
 ALL BOLTS AND NUTS FOR FASTENING THE SIGNS AND SIGN POST ASSEMBLY SHALL COMPLY WITH SECTION 1614 AND ALL WASHERS SHALL COMPLY WITH SECTION 1614 OF THE STANDARD SPECIFICATIONS FOR STATE ROAD AND BRIDGE CONSTRUCTION (1980 EDITION) AND SHALL BE SUBSIDIARY ITEM.
 ALL LETTER, NUMBER & SYMBOL SIZES, SPACING & COLORS AND SIGN COLORS SHALL CONFORM TO THE CURRENT "MANUAL ON UNIFORM TRAFFIC CONTROL DEVICES."
 ALL SIGN MATERIALS TO BE 0.080" ALUMINUM.



SIGN MOUNTING DETAILS

ROCK ROAD & N 21st STREET SIGNING DETAILS

HWS Consulting Group Inc. Omaha Office
 10844 Old Mill Rd., Ste 1
 Omaha, NE 68154
 Phone: (402) 333-5792
 Fax: (402) 333-2249

Designed By: GWC	Checked By: RJK
Drawn By: HS, IS	Date: 4/10/02
	Job No. 55-70-2003