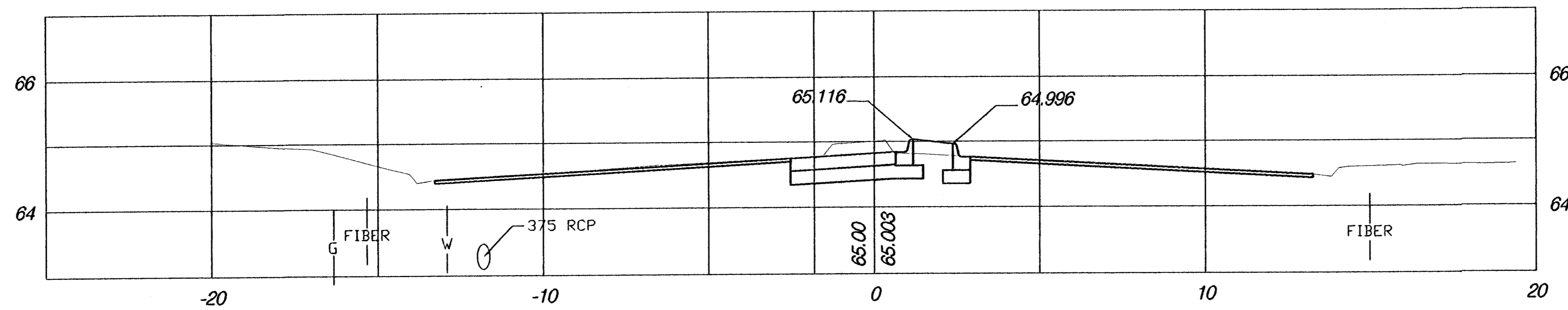


| FHWA REG NO. | STATE  | PROJECT NO.  | YEAR | SHEET NO. | TOTAL SHEETS |
|--------------|--------|--------------|------|-----------|--------------|
| 7            | KANSAS | 87 N-0199-01 | 2002 | 139       | 158          |

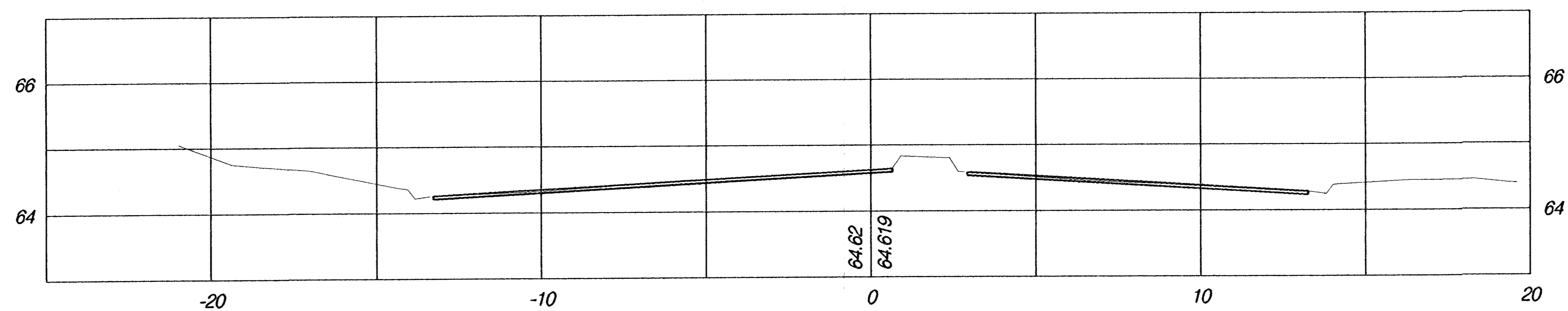
FED. AID NO. - CMQ-N019(901)

HORIZONTAL SCALE 1:100  
VERTICAL SCALE 1:50

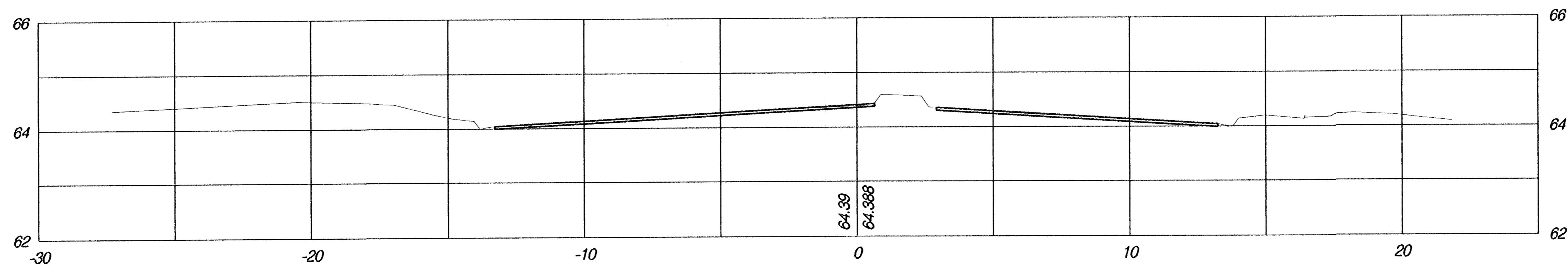
0+500



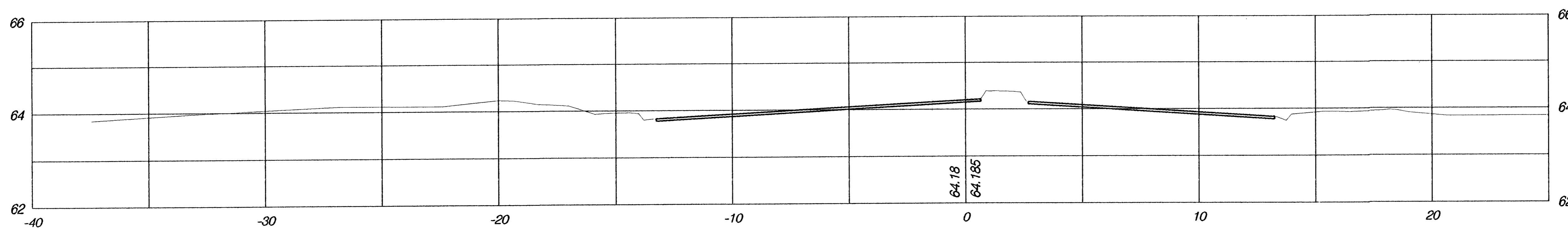
0+480



0+460



0+440



**ROCK ROAD  
CROSS SECTIONS**

**HWS** Consulting Group Inc. Omaha Office  
10844 Old Mill Rd., Ste. 1  
Omaha, NE 68154  
Phone: (402) 333-5792  
Fax: (402) 333-2248

Designed By: BWE Checked By: RJK  
Drawn By: HS Date: 03-25-2002 Job No. 55-70-2003