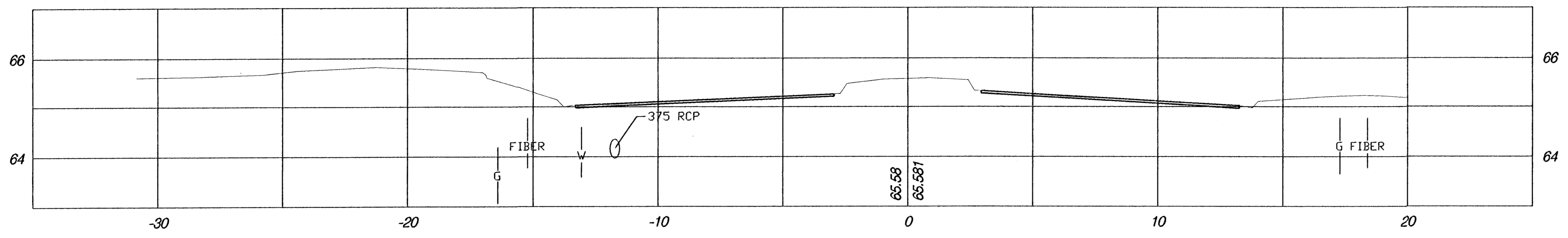


FHWA REG. NO.	STATE	PROJECT NO.	YEAR	SHEET NO.	TOTAL SHEETS
7	KANSAS	87 N-0199-01	2002	140	158

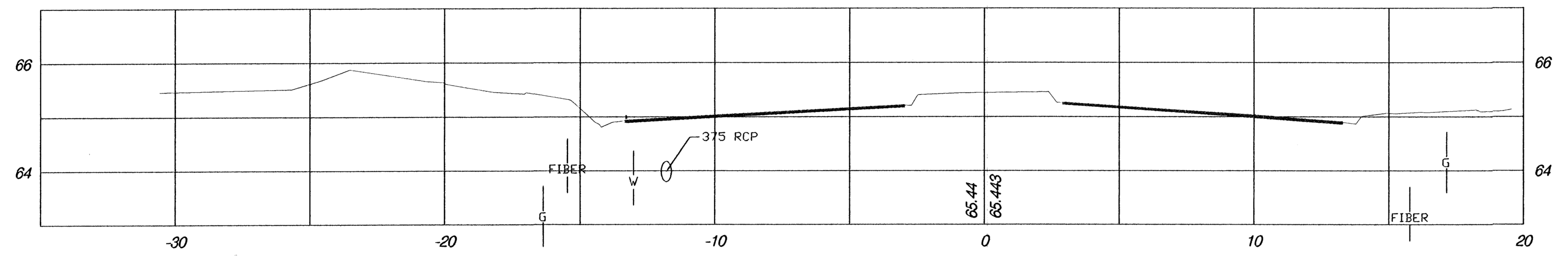
FED. AID NO. - CMQ-N019(901)

0+580

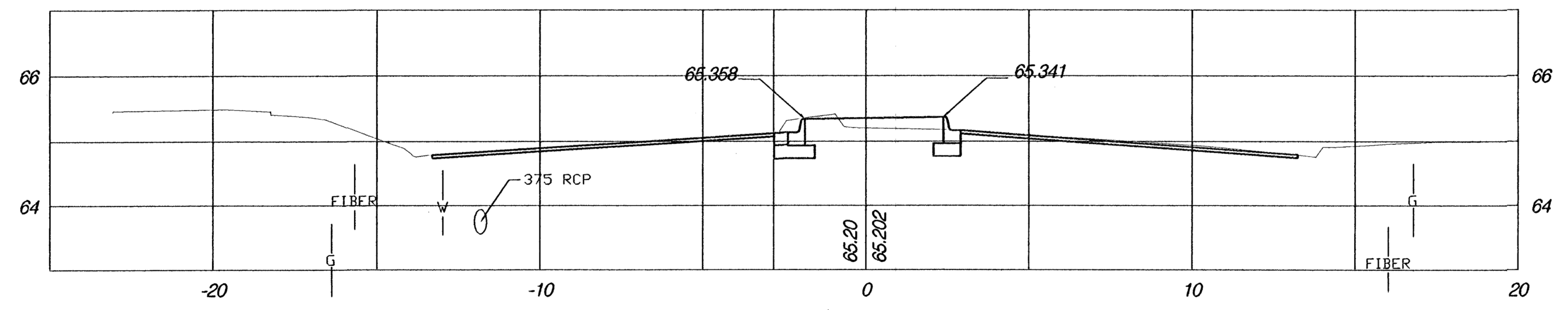
HORIZONTAL SCALE 1:100
VERTICAL SCALE 1:50



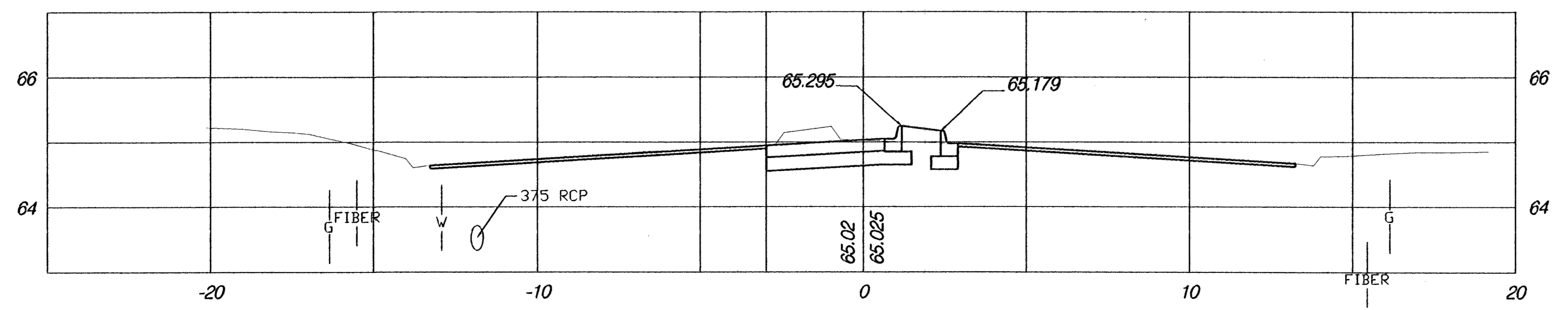
0+560



0+540



0+520



**ROCK ROAD
CROSS SECTIONS**

HWS Consulting Group Inc
Omaha Office
10844 Old Mill Rd., Ste 1
Omaha, NE 68154
Phone: (402) 333-5792
Fax: (402) 333-2249

Designed By: BWE
Checked By: RJK
Drawn By: HS
Date: 03-25-2002 Job No. 55-70-2003