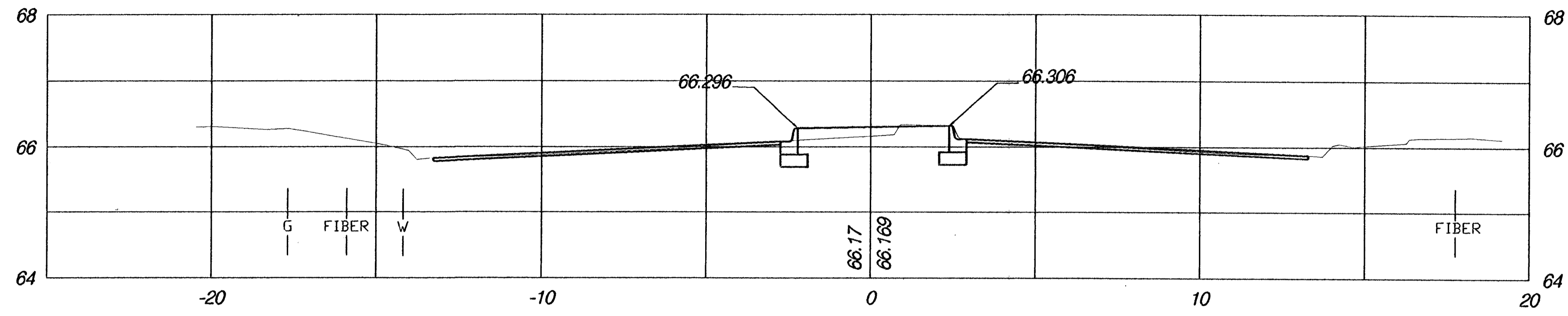


0+820

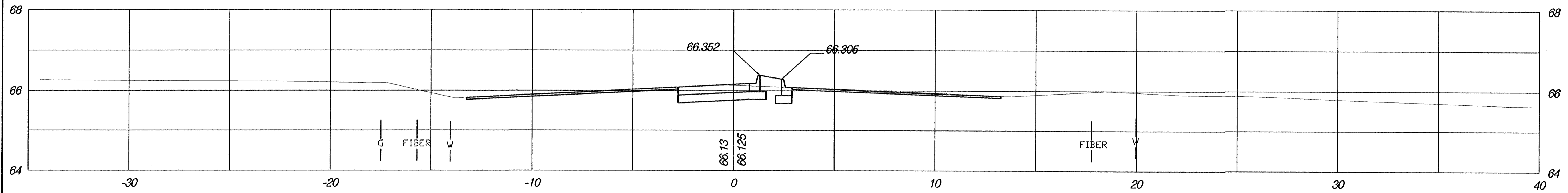


HORIZONTAL SCALE 1:100
VERTICAL SCALE 1:50

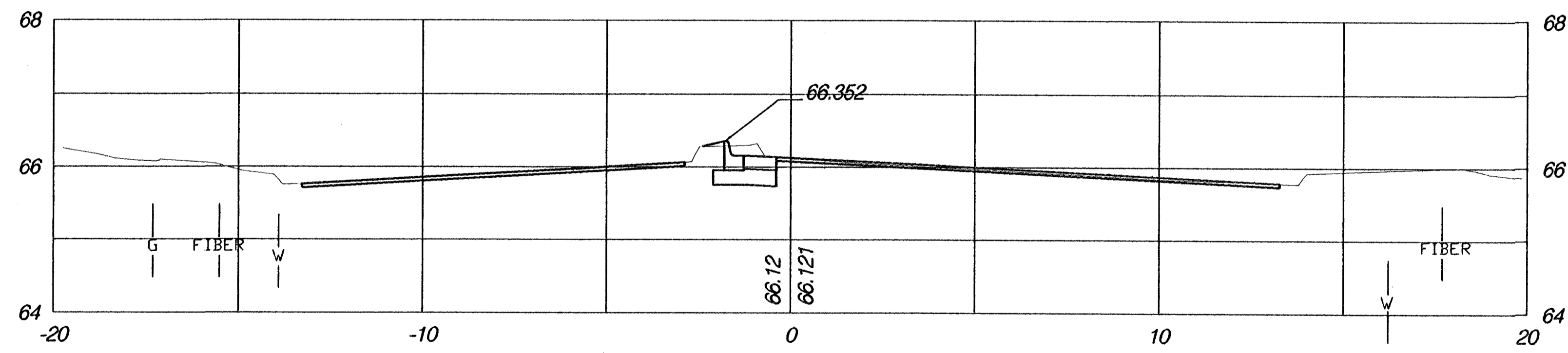
FHWA REG. NO.	STATE	PROJECT NO.	YEAR	SHEET NO.	TOTAL SHEETS
7	KANSAS	87 N-0199-01	2002	143	158

FED. AID NO. - CMQ-N019(901)

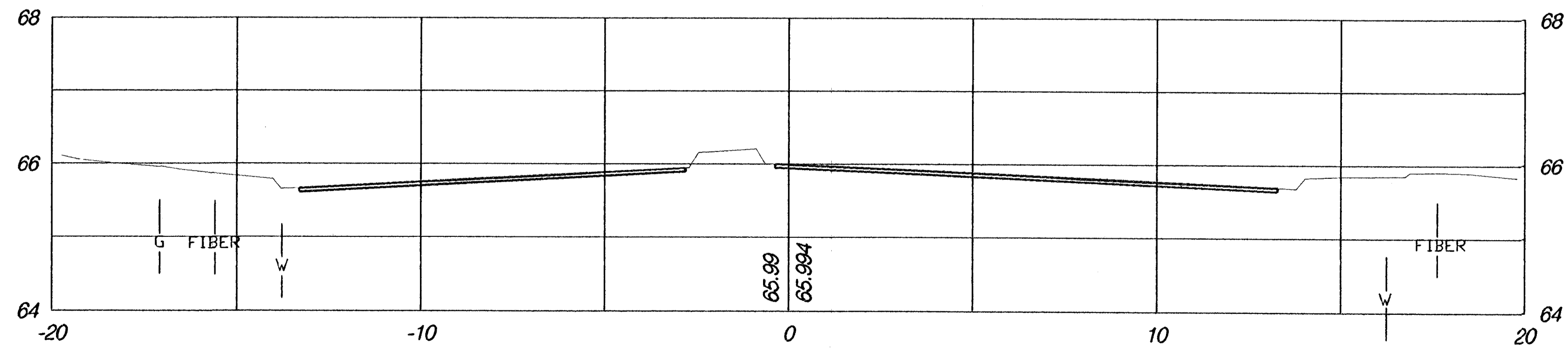
0+800



0+780



0+760



ROCK ROAD CROSS SECTIONS

HWS Consulting Group Inc.  Omaha Office
10844 Old Mill Rd., Ste. 1
Omaha, NE 68154
Phone: (402) 333-5792
Fax: (402) 333-2248

Designed By: BWE	Checked By: RJK
Drawn By: HS	Date: 03-25-2002 Job No. 55-70-2003