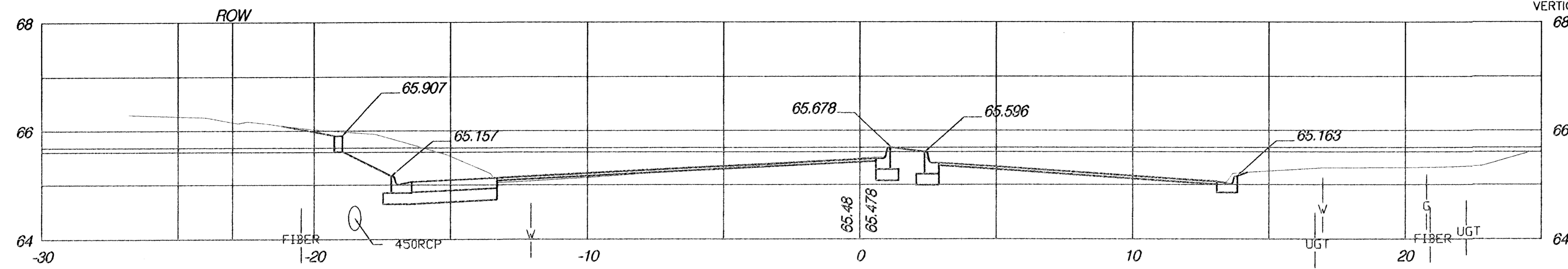


1+040

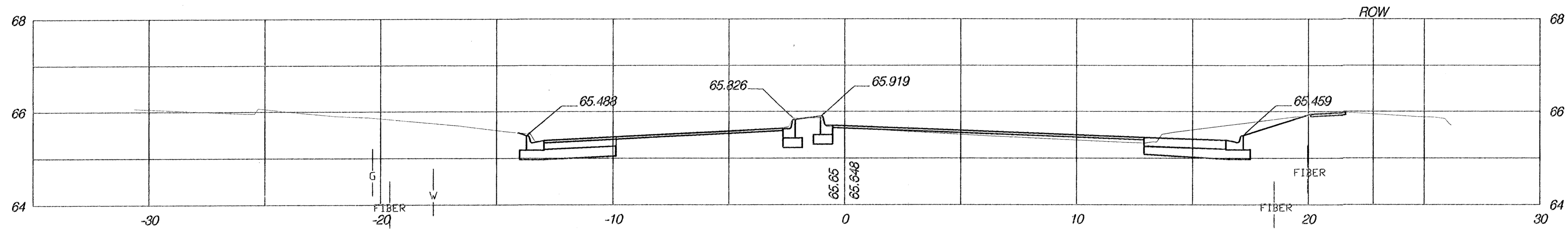


HORIZONTAL SCALE 1:100  
VERTICAL SCALE 1:50

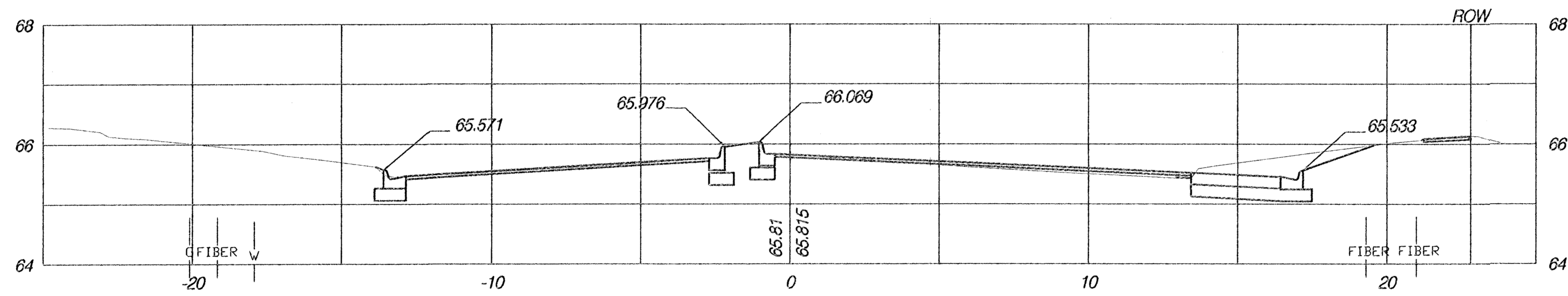
FHWA REG NO.	STATE	PROJECT NO.	YEAR	SHEET NO.	TOTAL SHEETS
7	KANSAS	87 N-0199-01	2002	145	158

FED. AID NO. - CMQ-N019(901)

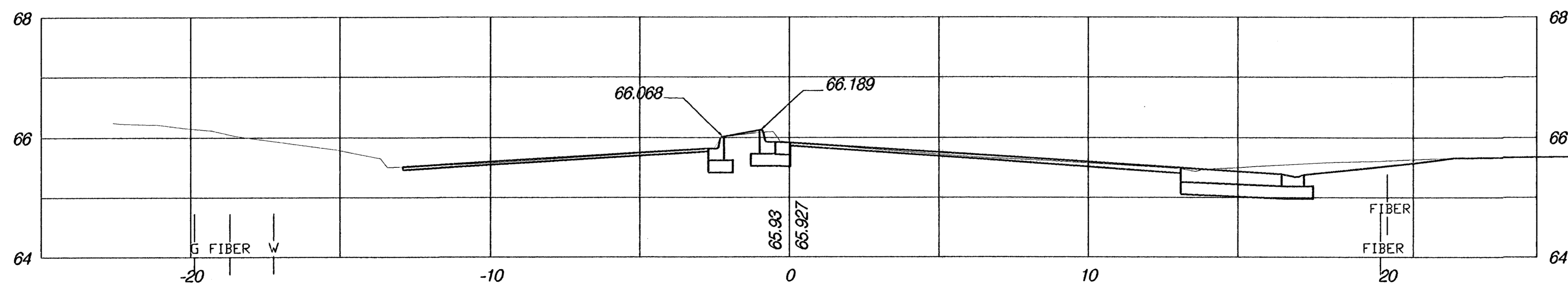
0+960



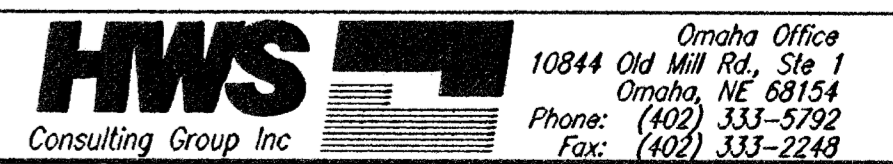
0+940



0+920



### ROCK ROAD CROSS SECTIONS



Designed By: EWE	Checked By: RJK
Drawn By: HS	Date: 03-25-2002 Job No. 55-70-2003