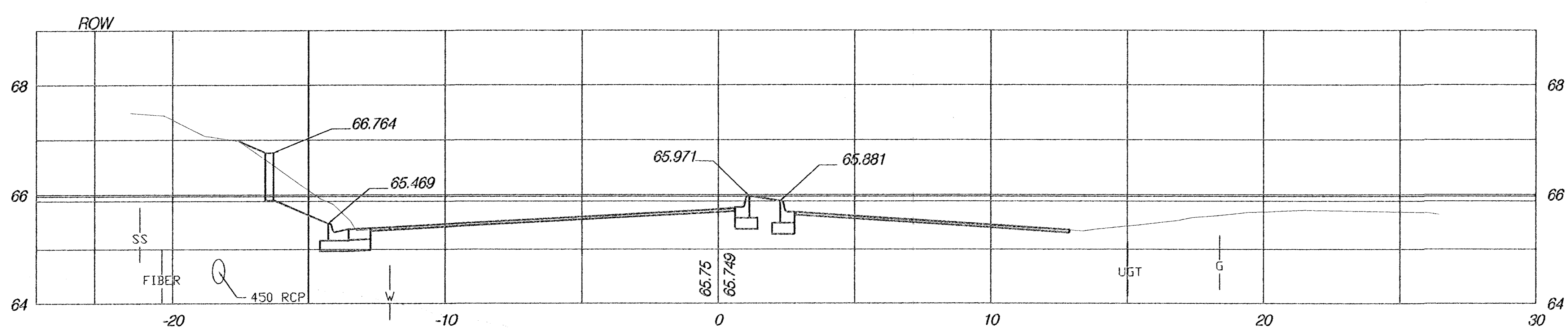


FHWA REG NO.	STATE	PROJECT NO.	YEAR	SHEET NO.	TOTAL SHEETS
7	KANSAS	87 N-0199-01	2002	146	158

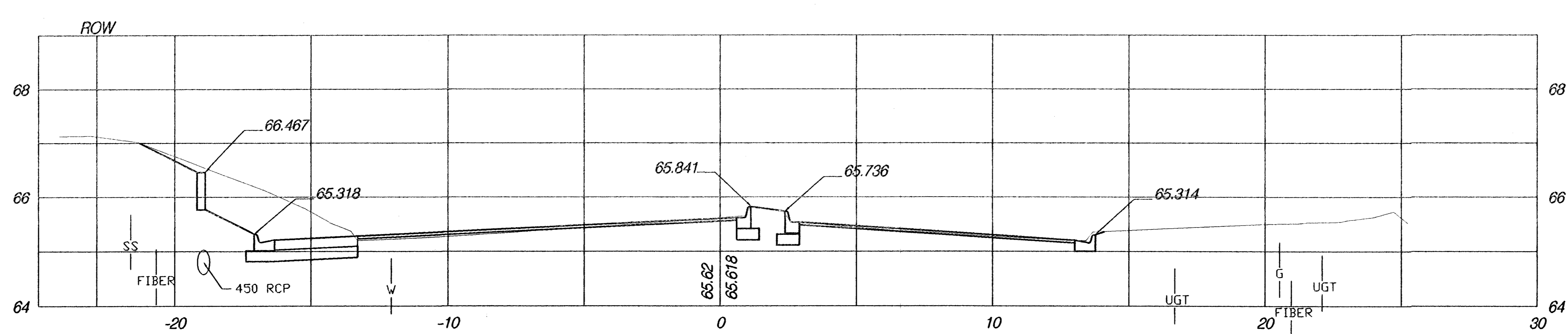
FED. AID NO. - CMQ-N019(901)

HORIZONTAL SCALE 1:100
VERTICAL SCALE 1:50

1+080



1+060



**ROCK ROAD
CROSS SECTIONS**

HWS Consulting Group Inc
 Omaha Office
 10844 Old Mill Rd., Ste 1
 Omaha, NE 68154
 Phone: (402) 333-5782
 Fax: (402) 333-2248

Designed By: EWE	Checked By: RJK
Drawn By: HS	Date: 03-25-2002 Job No. 55-70-2003