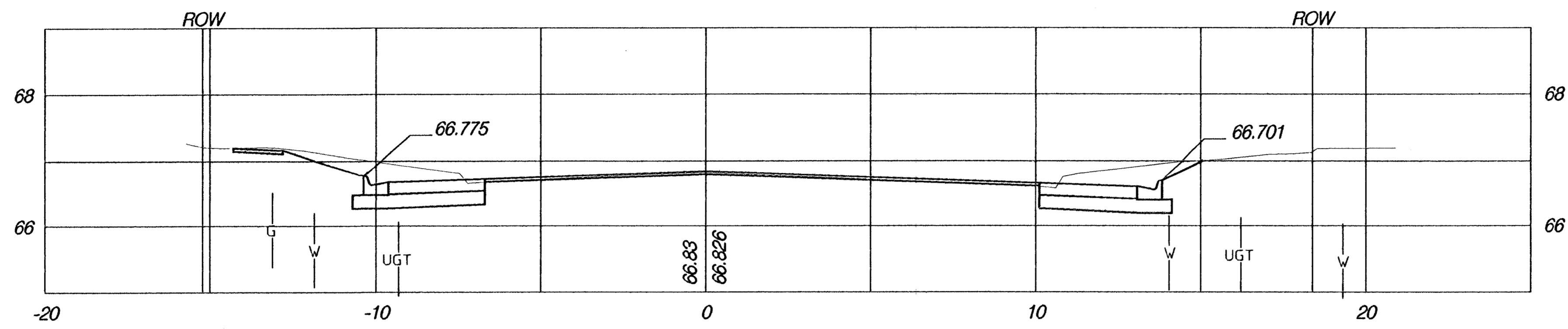


49+640

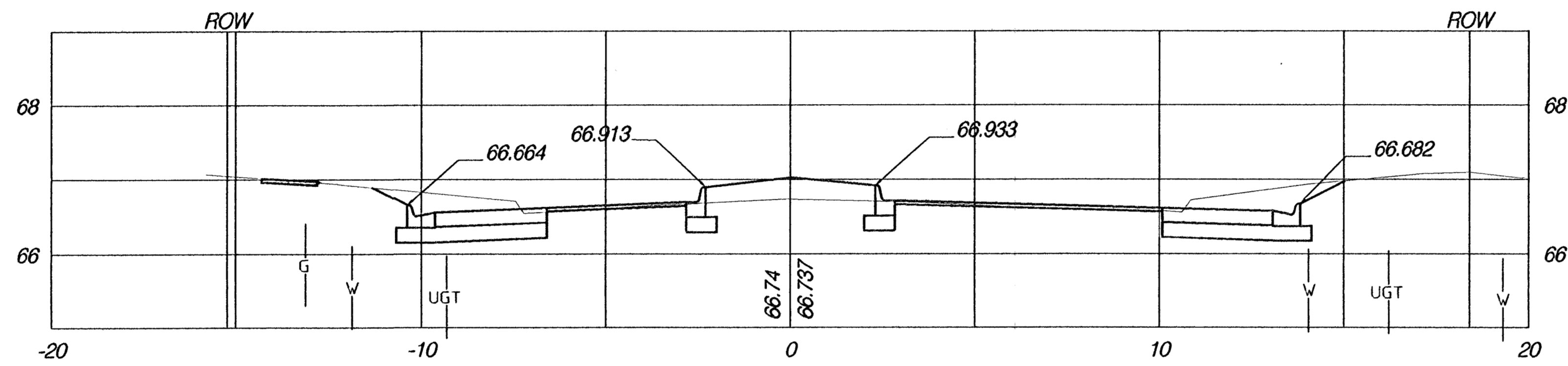


HORIZONTAL SCALE 1:100  
VERTICAL SCALE 1:50

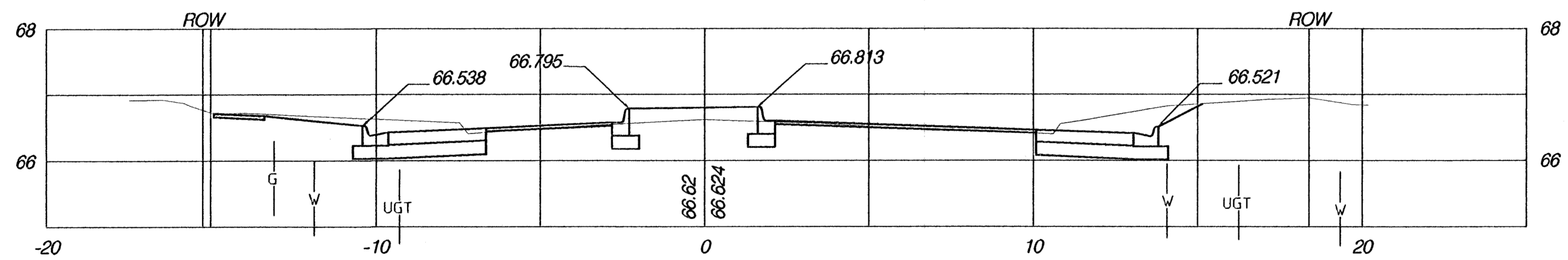
FHWA REG NO.	STATE	PROJECT NO.	YEAR	SHEET NO.	TOTAL SHEETS
7	KANSAS	87 N-0199-01	2002	149	158

FED. AID NO. - CMQ-N019(901)

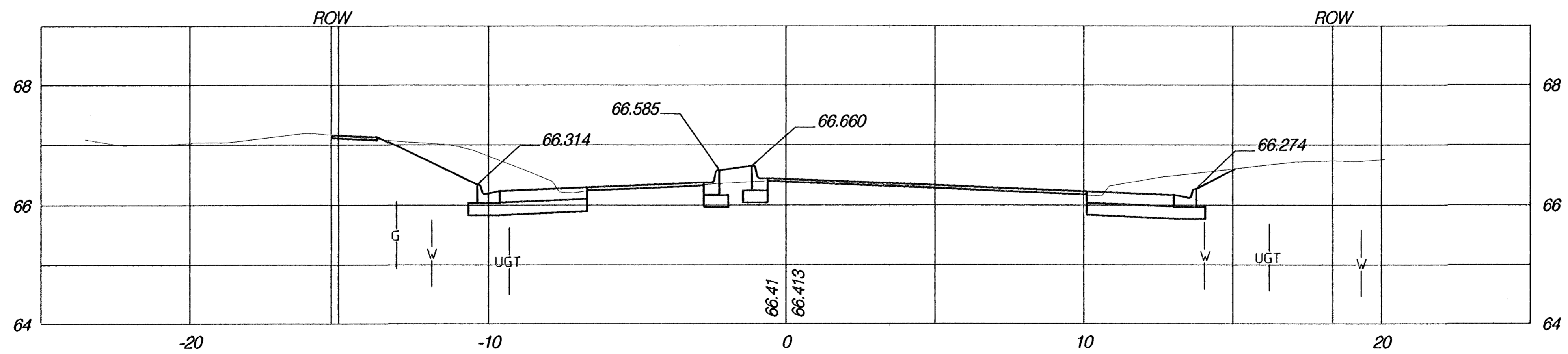
49+620



49+600



49+580



### N 21st STREET CROSS SECTIONS

**HWS** Consulting Group Inc. Omaha Office  
10844 Old Mill Rd., Ste 1  
Omaha, NE 68154  
Phone: (402) 333-5792  
Fax: (402) 333-2248

Designed By: EWE	Checked By: RJK
Drawn By: HS	Date: 03-25-2002 Job No. 55-70-2003