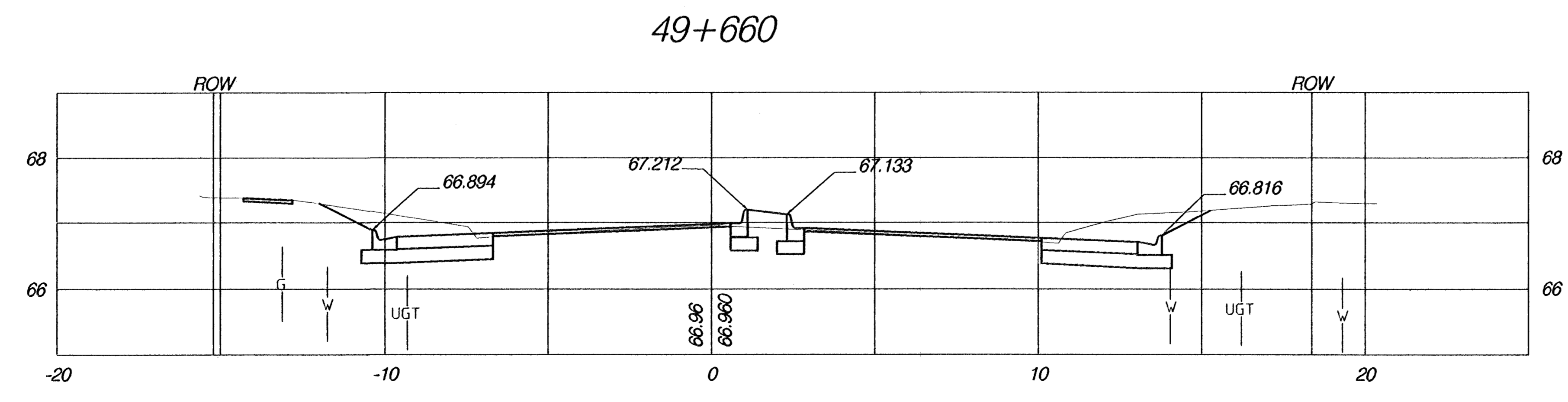
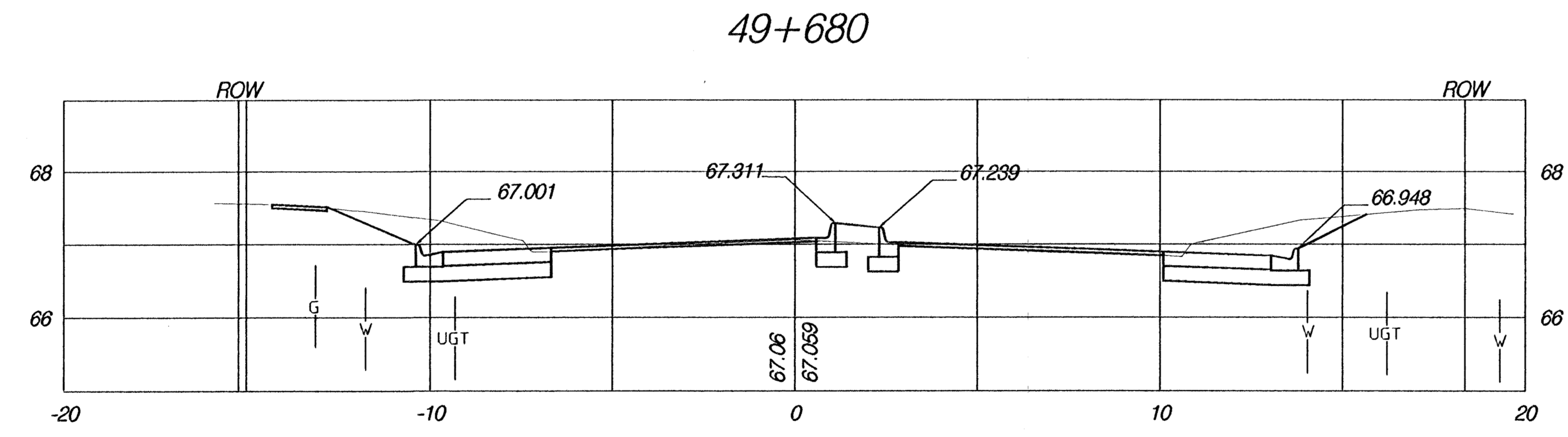
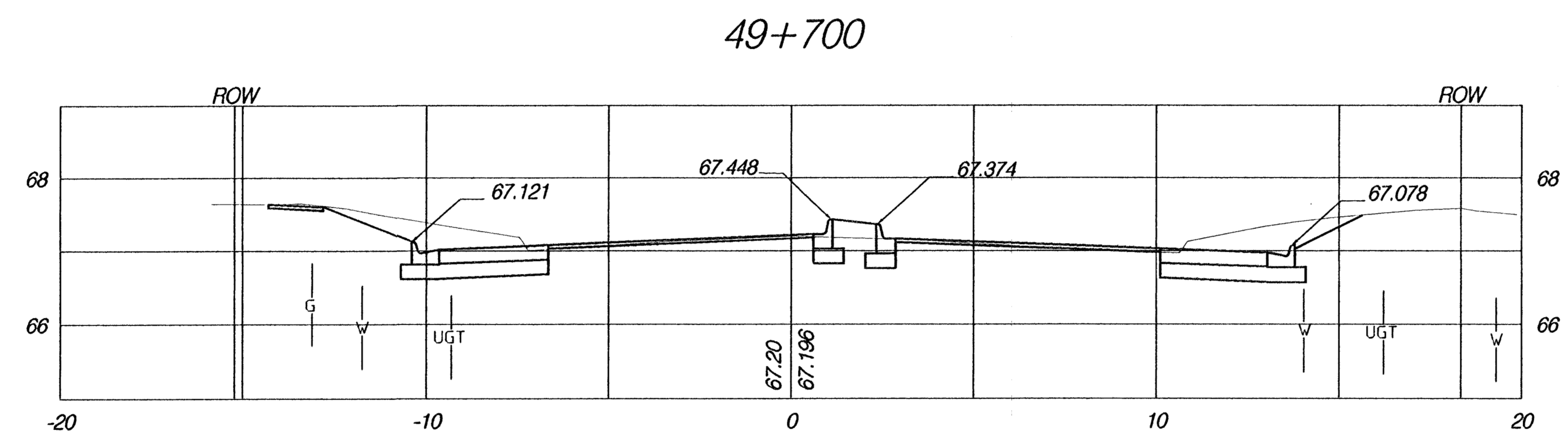
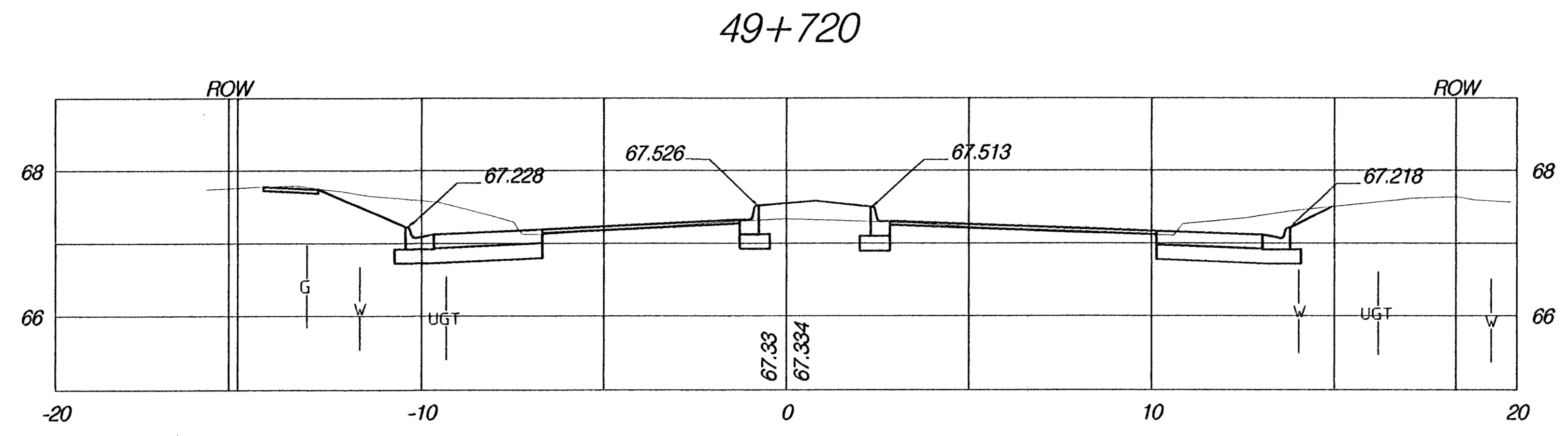


FHWA REG NO.	STATE	PROJECT NO.	YEAR	SHEET NO.	TOTAL SHEETS
7	KANSAS	87 N-0199-01	2002	150	158

FED. AID NO. - CMQ-N019(901)

HORIZONTAL SCALE 1:100
VERTICAL SCALE 1:50



**N 21st STREET
CROSS SECTIONS**

HWS Consulting Group Inc.

Omaha Office
10844 Old Mill Rd., Ste 1
Omaha, NE 68154
Phone: (402) 333-5792
Fax: (402) 333-2249

Designed By: BWE	Checked By: RJK
Drawn By: HS	Date: 03-25-2002 Job No. 55-70-2003