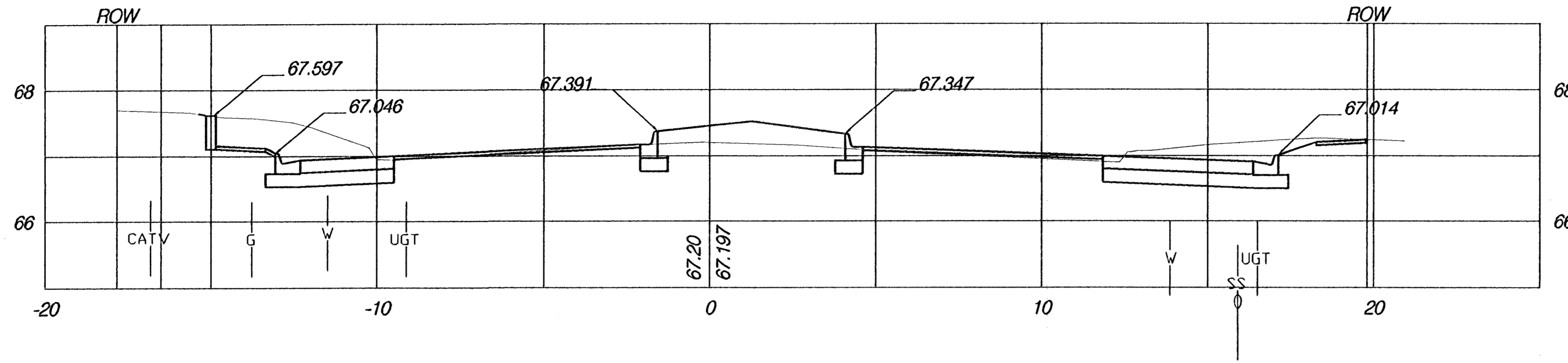


49+880

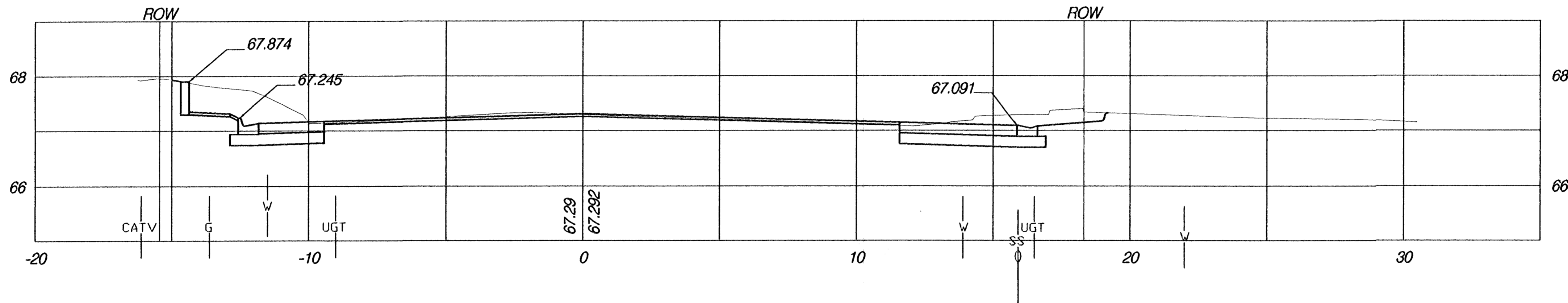


HORIZONTAL SCALE 1:100
VERTICAL SCALE 1:50

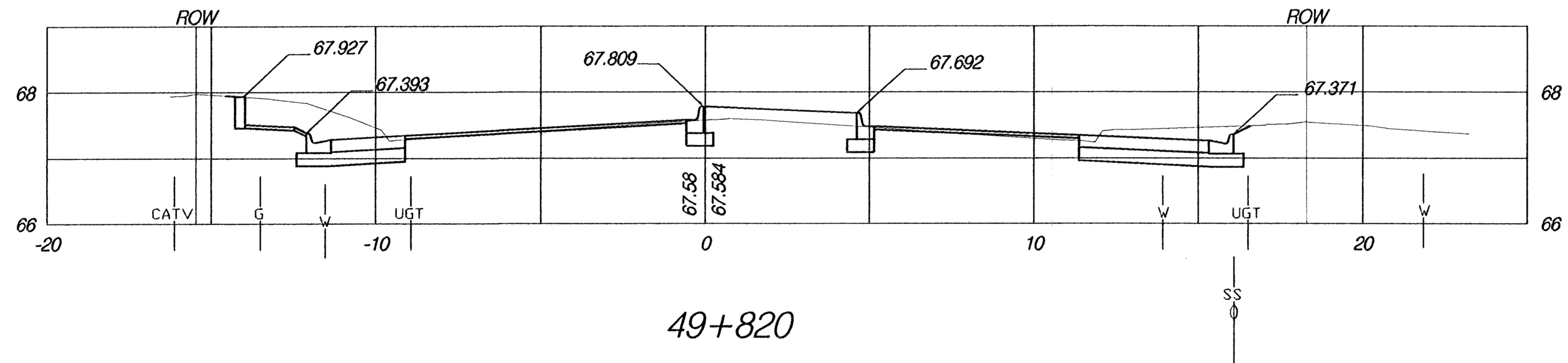
FHWA REG NO.	STATE	PROJECT NO.	YEAR	SHEET NO.	TOTAL SHEETS
7	KANSAS	87 N-0199-01	2002	152	158

FED. AID NO. - CMQ-N019(901)

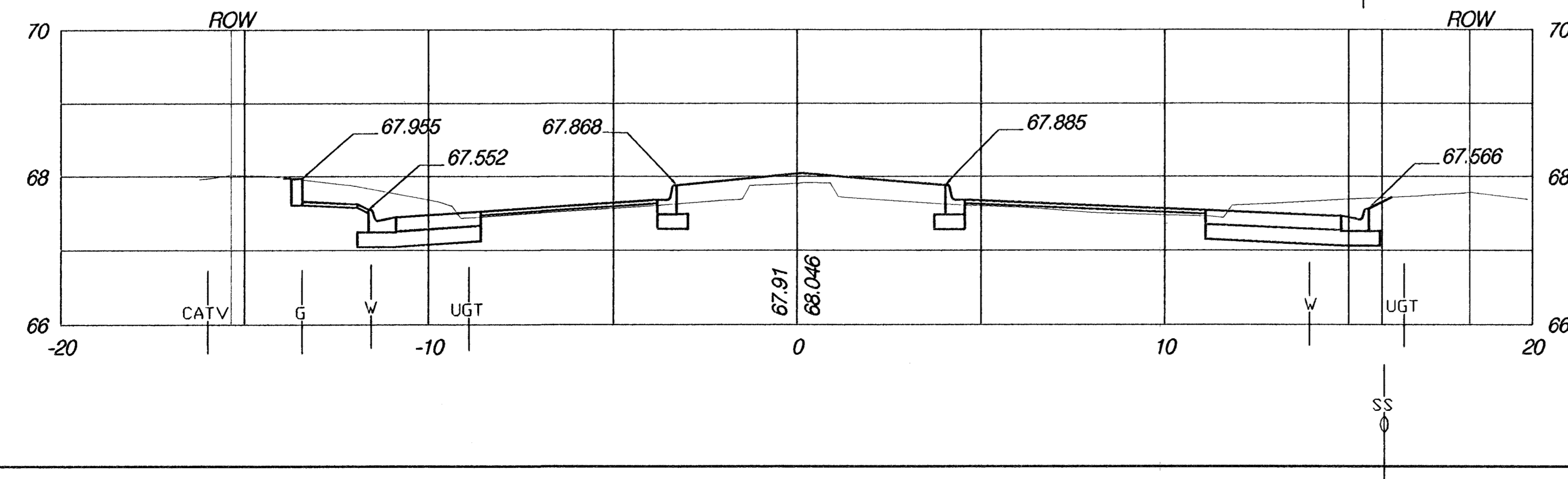
49+860



49+840



49+820



**N 21st STREET
CROSS SECTIONS**

HWS Consulting Group Inc. Omaha Office
10844 Old Mill Rd., Ste 1
Omaha, NE 68154
Phone: (402) 333-5702
Fax: (402) 333-2248

Designed By: BWE	Checked By: RJK
Drawn By: HS	Date: 03-25-2002 Job No. 55-70-2003