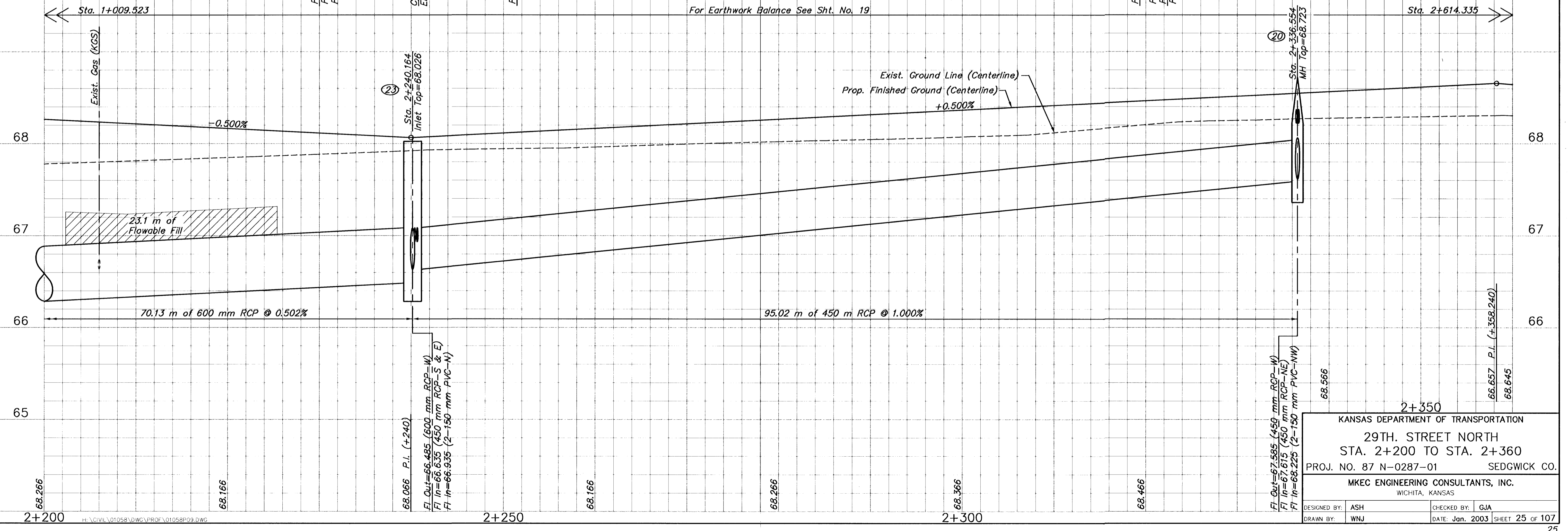
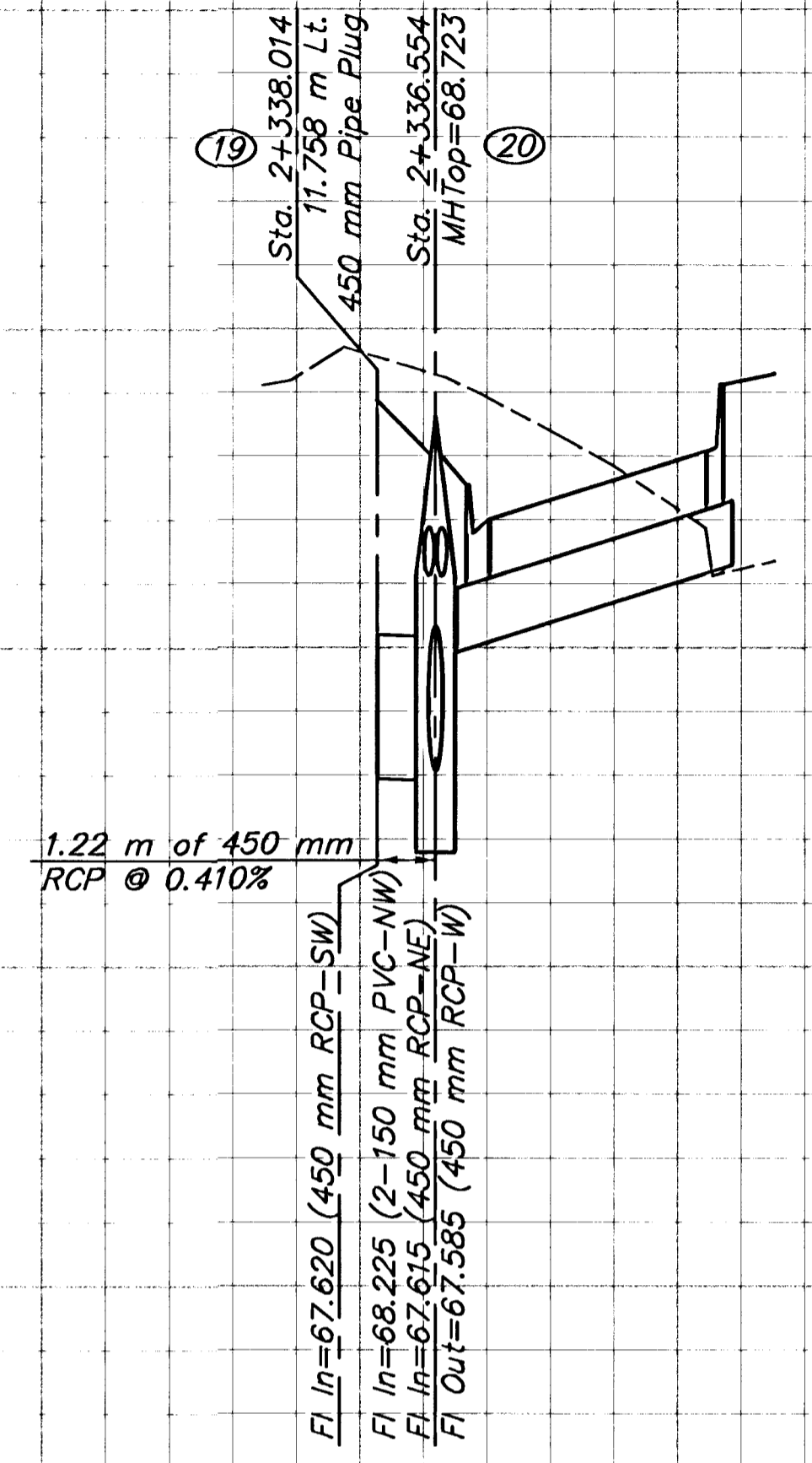
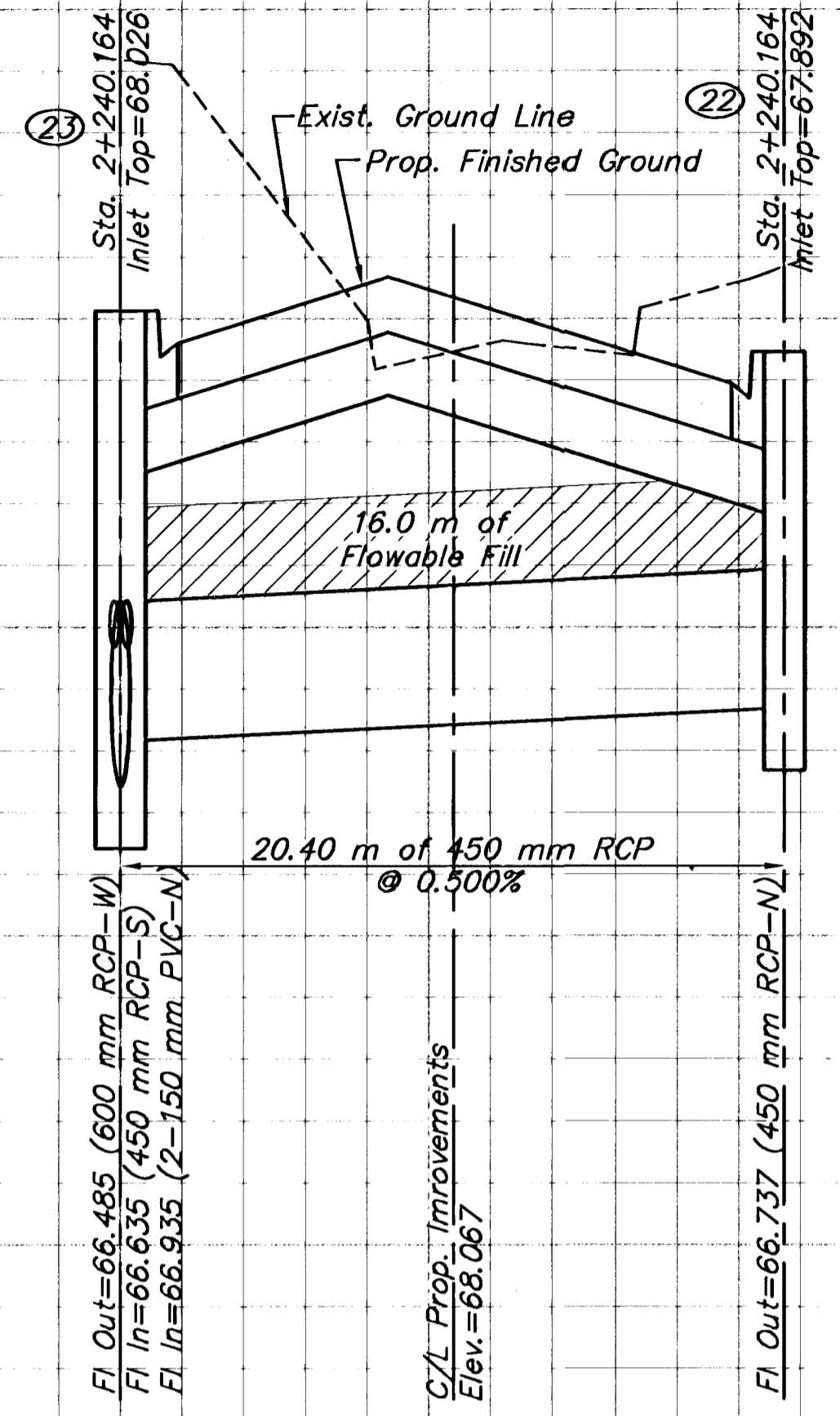
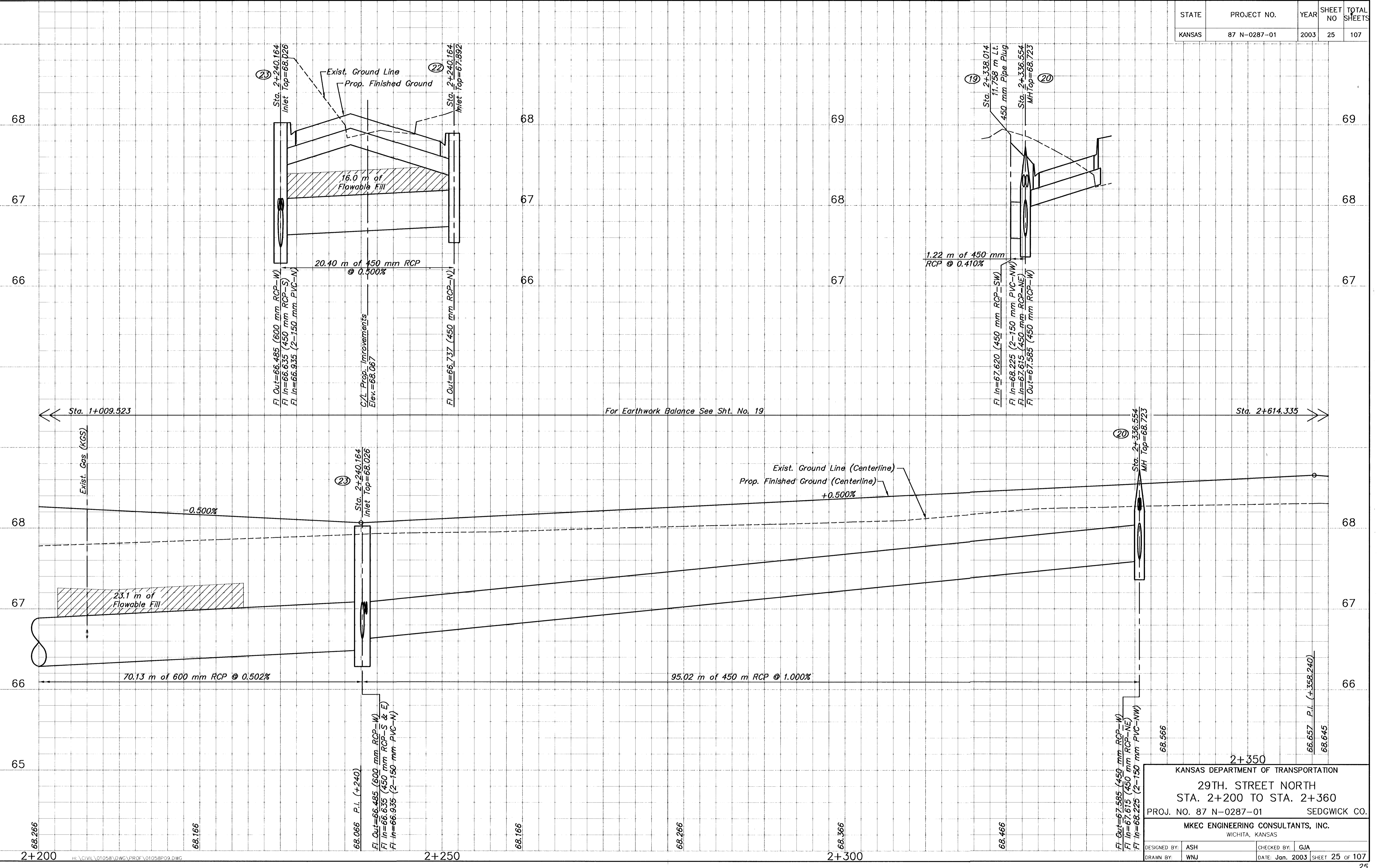


STATE	PROJECT NO.	YEAR	SHEET NO	TOTAL SHEETS
KANSAS	87 N-0287-01	2003	25	107



2+350
KANSAS DEPARTMENT OF TRANSPORTATION
29TH. STREET NORTH
STA. 2+200 TO STA. 2+360
PROJ. NO. 87 N-0287-01 SEDGWICK CO.
MKEC ENGINEERING CONSULTANTS, INC.
WICHITA, KANSAS

DESIGNED BY: ASH	CHECKED BY: GJA
DRAWN BY: WNJ	DATE: Jan. 2003 SHEET 25 OF 107

H:\CIVIL\01058\DWG\PROF\01058P09.DWG