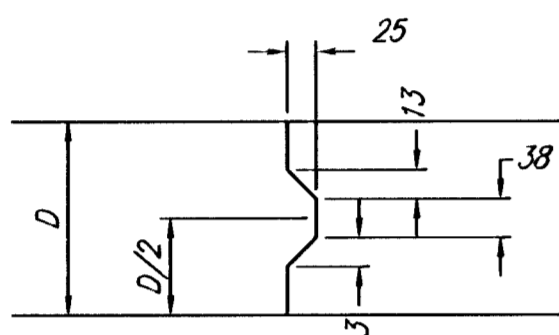
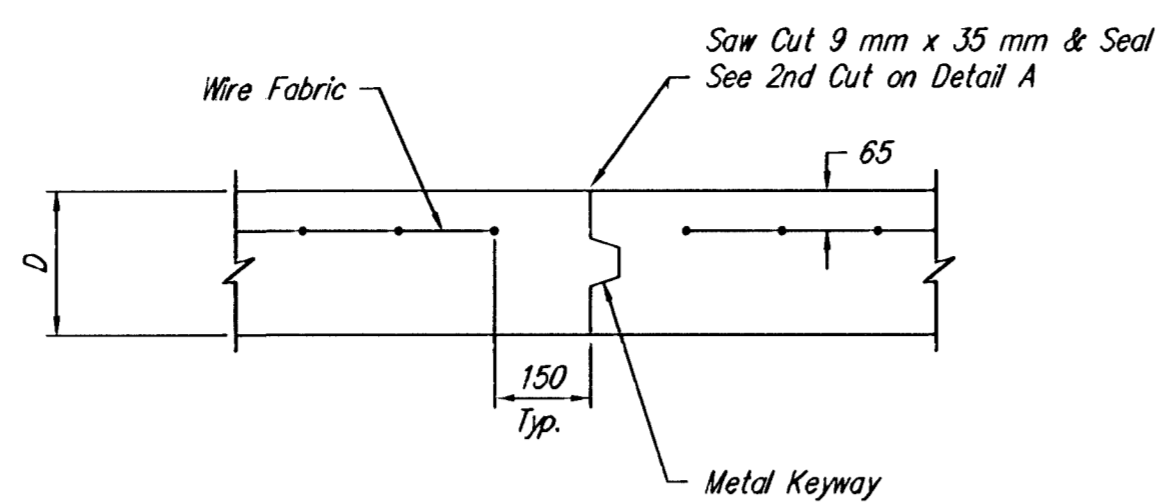


**EXPANSION JOINT**

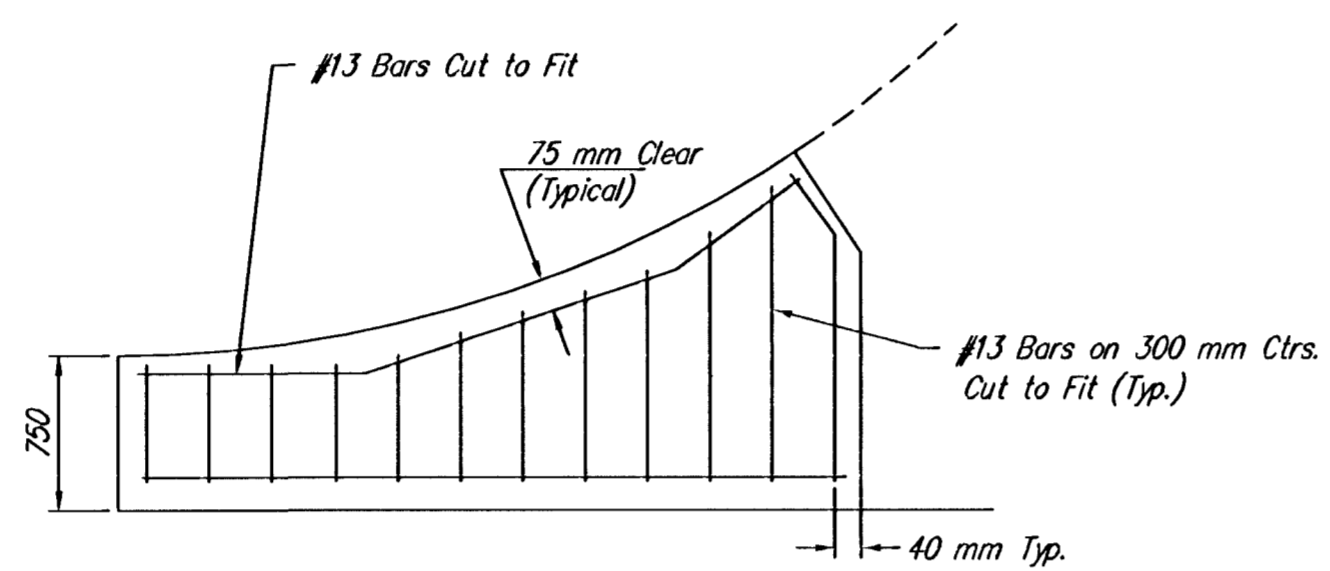
NOTE: Extra Thickness to be Subsidiary to Price of Square Yards Pavement



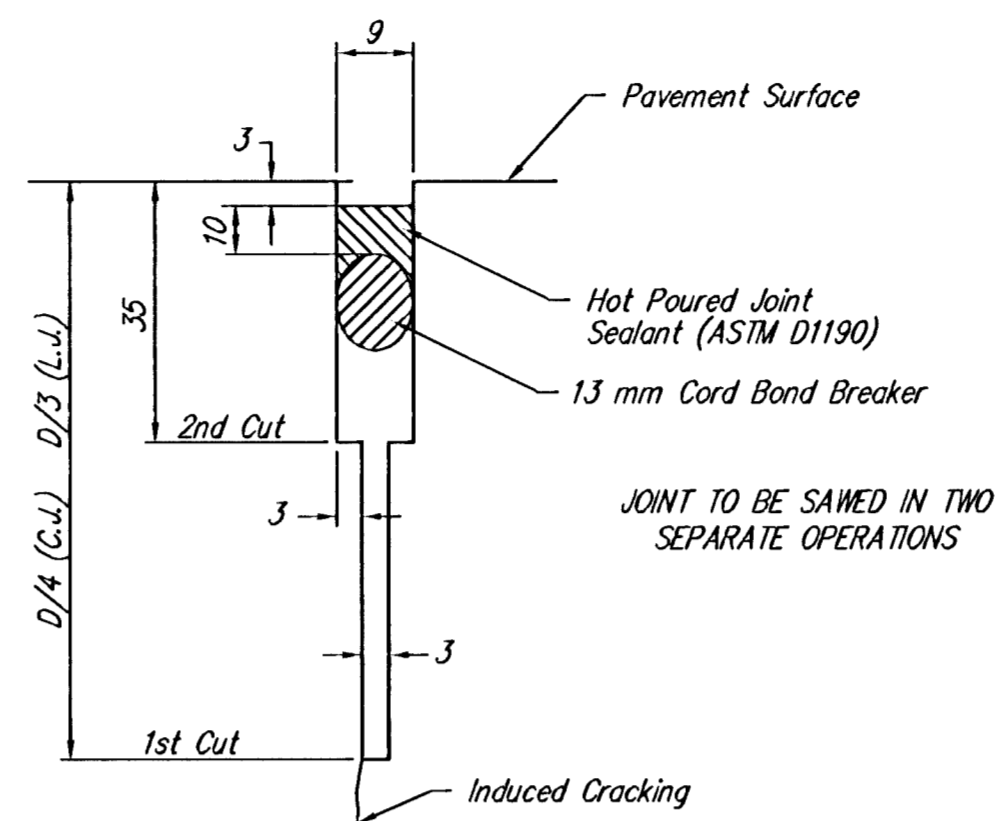
**KEYWAY DETAIL**



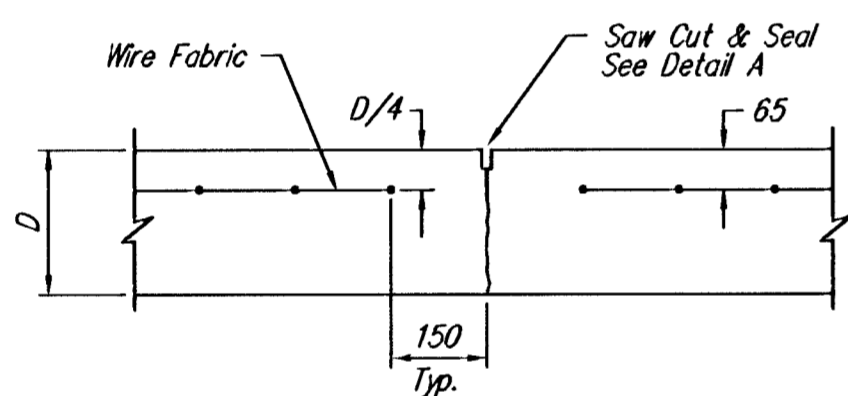
**OPTIONAL CONTRACTION JOINT**



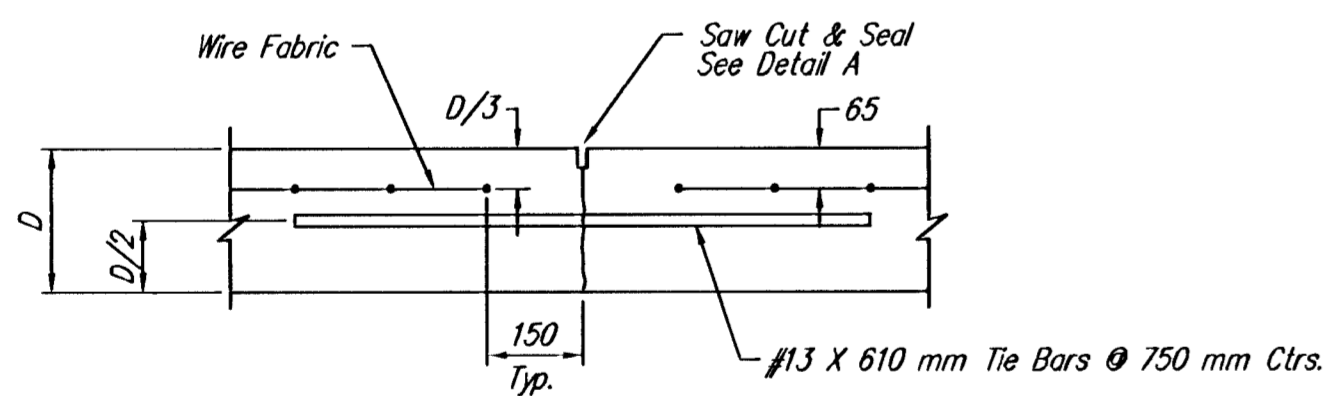
**WING REINFORCING DETAIL**



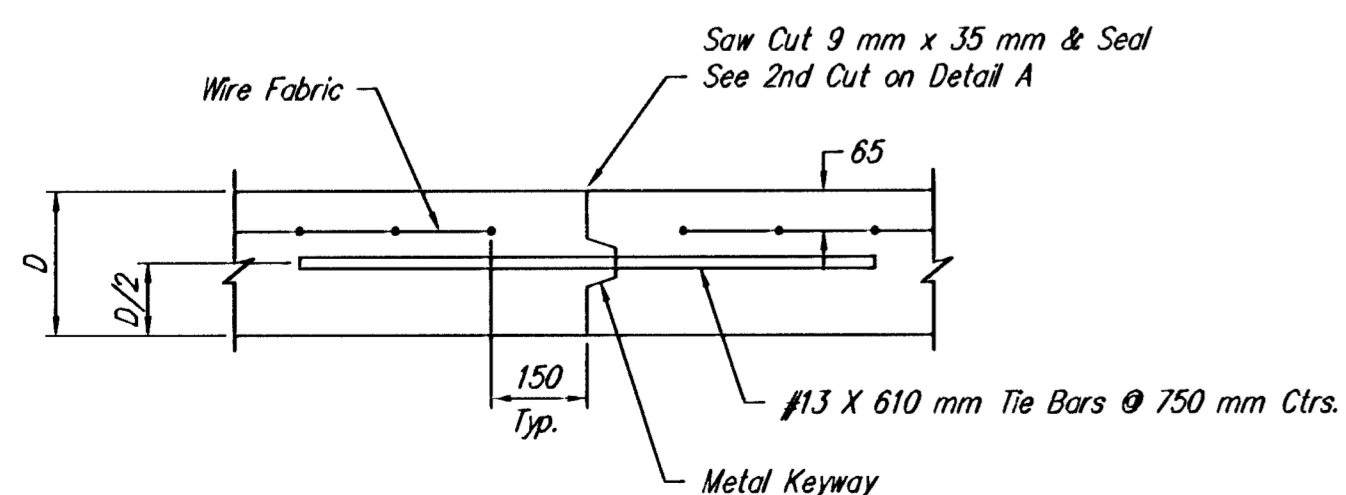
**SAW JOINT DETAIL**



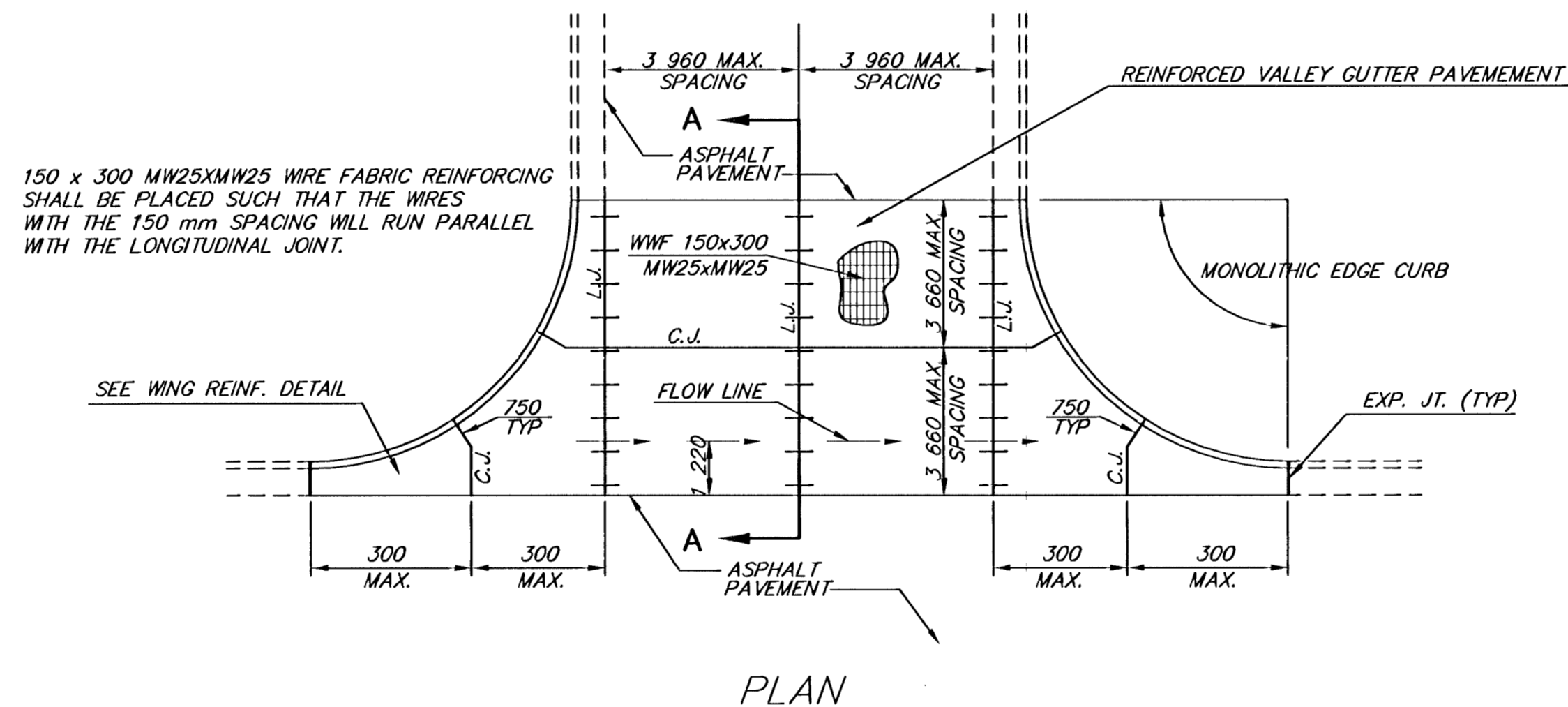
**CONTRACTION JOINT DETAIL (C.J.)**



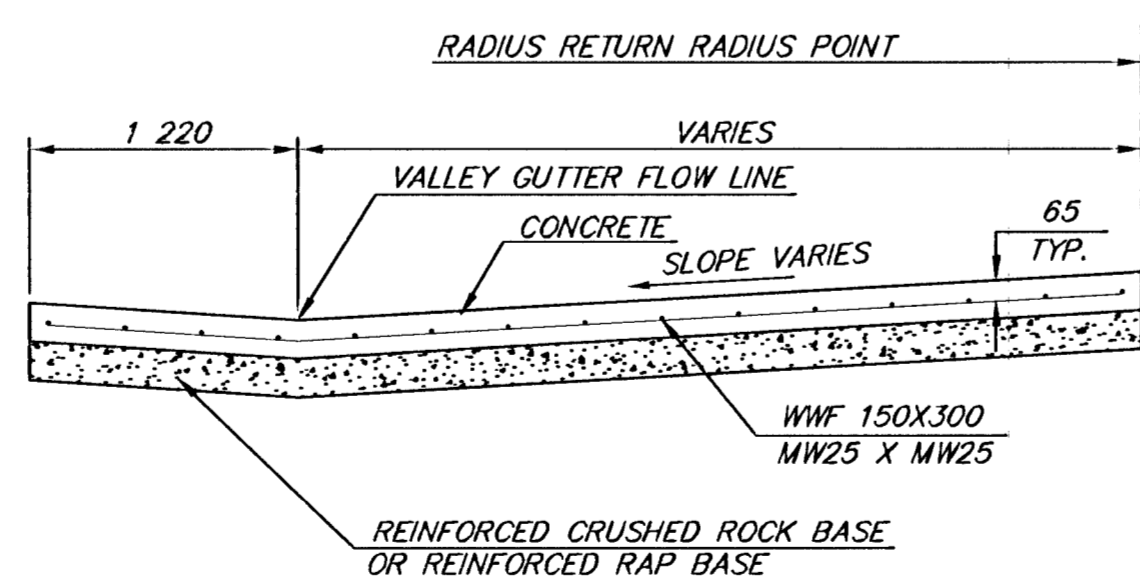
**LONGITUDINAL JOINT DETAIL (L.J.)**



**OPTIONAL LONGITUDINAL JOINT DETAIL (L.J.)**



**PLAN**



**SECTION A-A**

**REINFORCED VALLEY GUTTER DETAIL**

NOTE:  
1. ALL DIMENSIONS ARE IN MILLIMETERS.

<p>THE CITY OF WICHITA</p> <p>CITY ENGINEER'S OFFICE CITY HALL - SEVENTH FLOOR 455 NORTH MAIN STREET WICHITA, KANSAS 67202 (316) 268-4501 (316) 268-4114 FAX</p>	<b>VALLEY GUTTER DETAILS</b>	
	M. E. LINDEBAK P.E. - CITY ENGINEER	
	PROJECT NUMBER 87 N-0287-01	INDEX CODE XXXXXX
	DATE MAR 96	SHEET 35 OF 107