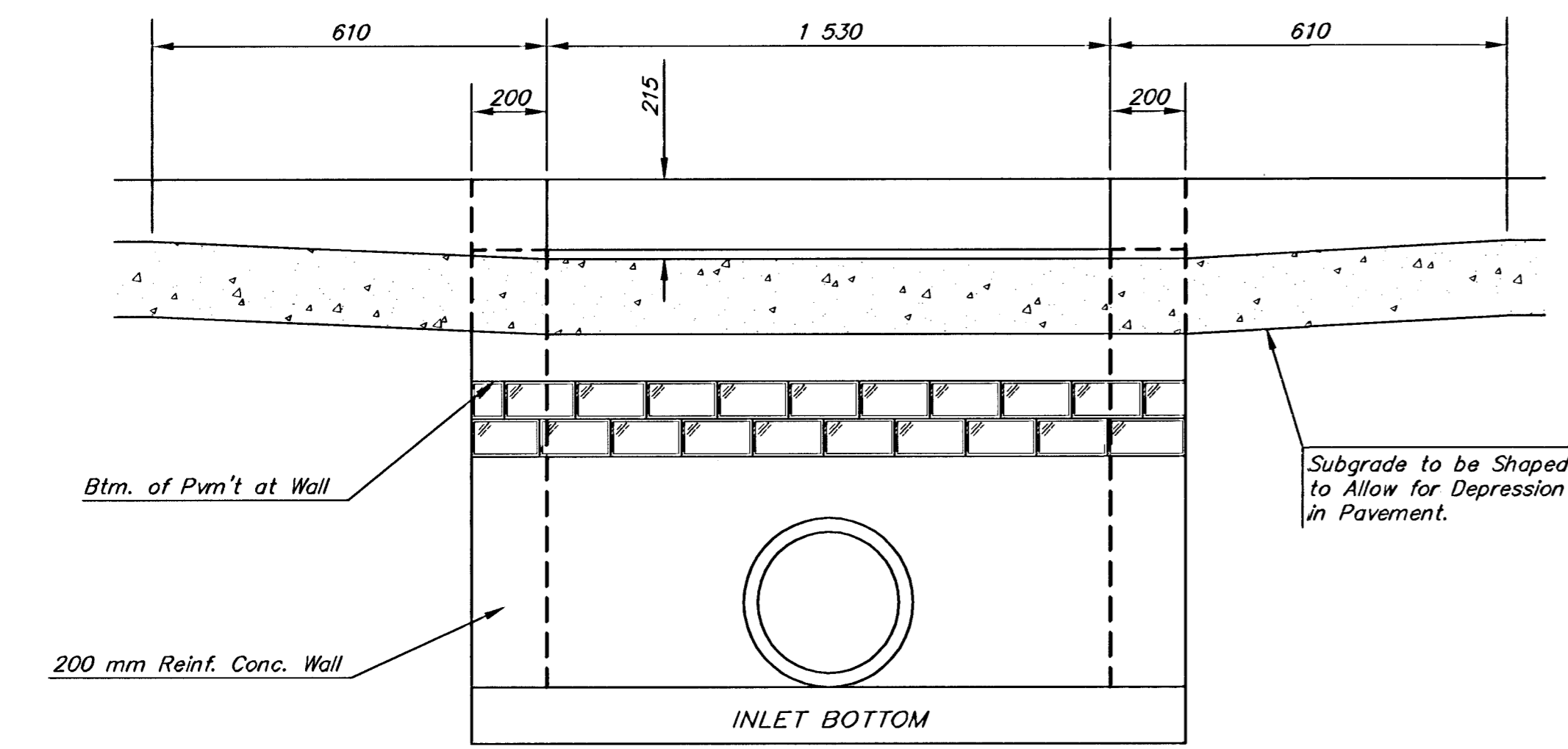


- Notes:
- Inlet Top Reinforcing shall be Spaced on 150 mm Max. Centers. Inlet Lids shall be Notched out as Indicated to Facilitate Construction of Curb.
  - $b_3$  Bar to be Field Bent to Clear Inlet Frame.

PLAN



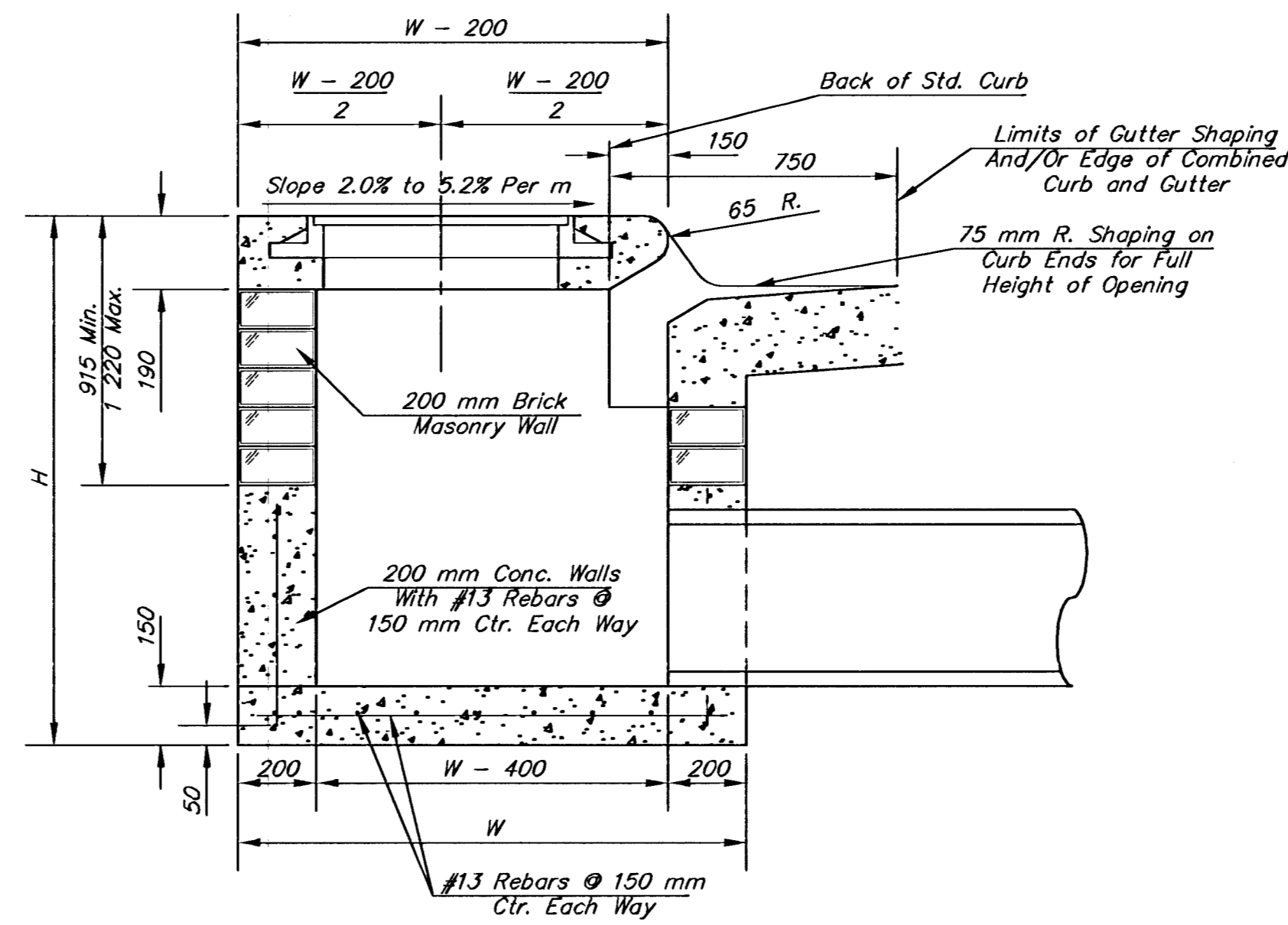
SECTION C-C

STEEL SCHEDULE

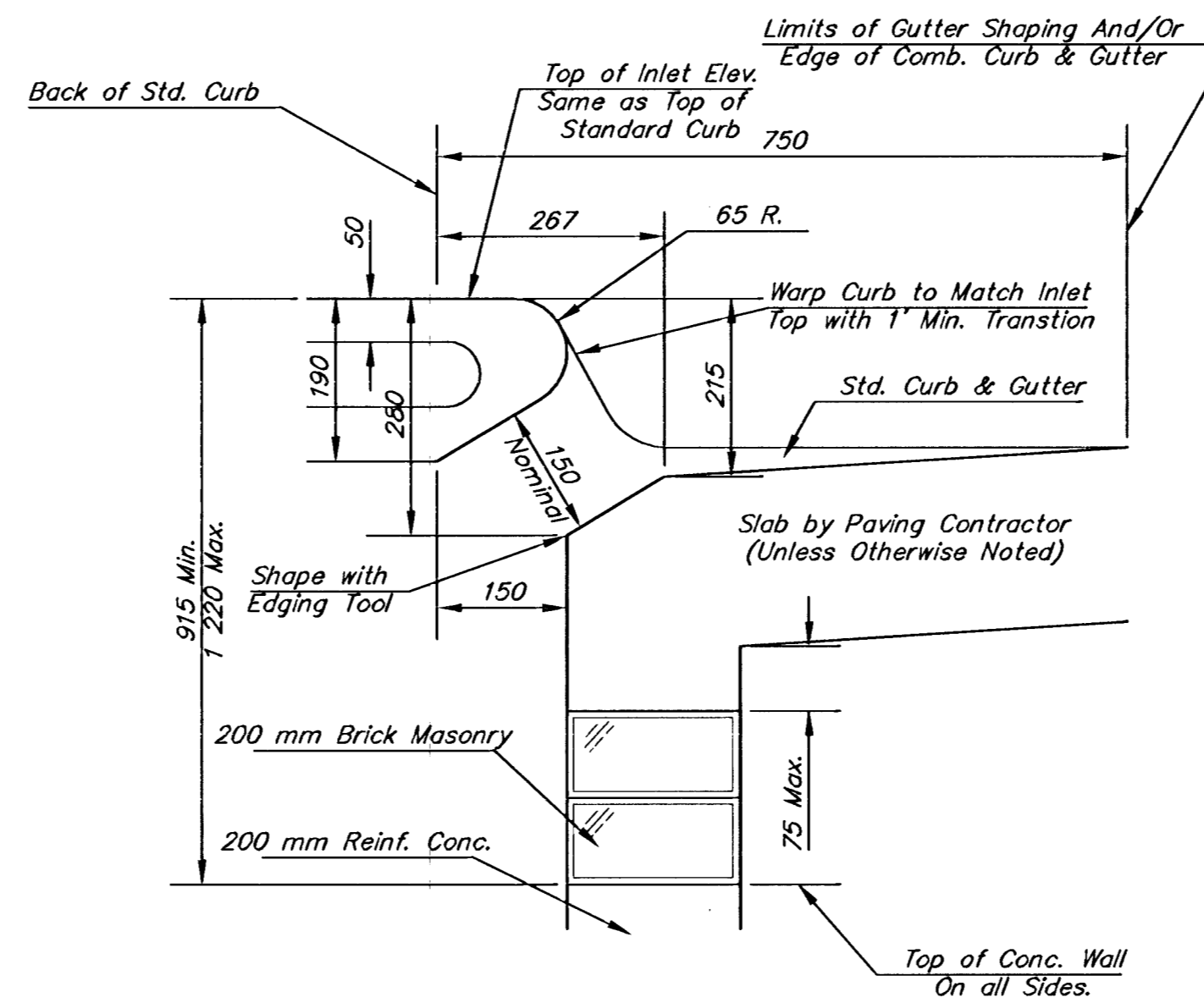
BAR	$b_1$								$b_2$	$b_3$	$b_4$	Wt. kg	
	$a_1$	$a_2$	$a_3$	W=1 320	W=1 630	W=1 930	W=2 240	W=2 540					
NUMBER	4	4	2	1	3	5	7	9	6	1	1		
SIZE	#13	#13	#13	#13	#13	#13	#13	#13	#13	#13	#19		
LENGTH	W=1 320	1 700	2 010	1 420	1 855	-	-	-	535	1 880	1 420	27±	
	W=1 630	2 310	2 615	1 525	-	1 855	-	-	535	1 880	1 420	37±	
	W=1 930	2 920	3 225	1 830	-	-	1 855	-	535	1 880	1 420	46±	
	W=2 240	3 530	3 835	2 135	-	-	-	1 855	-	535	1 880	1 420	55±
	W=2 540	4 140	4 445	2 440	-	-	-	-	1 855	535	1 880	1 420	64±

Note:  $a_3$  Bars to be Placed Approx. 50 mm Below Top of Inlet Cover.

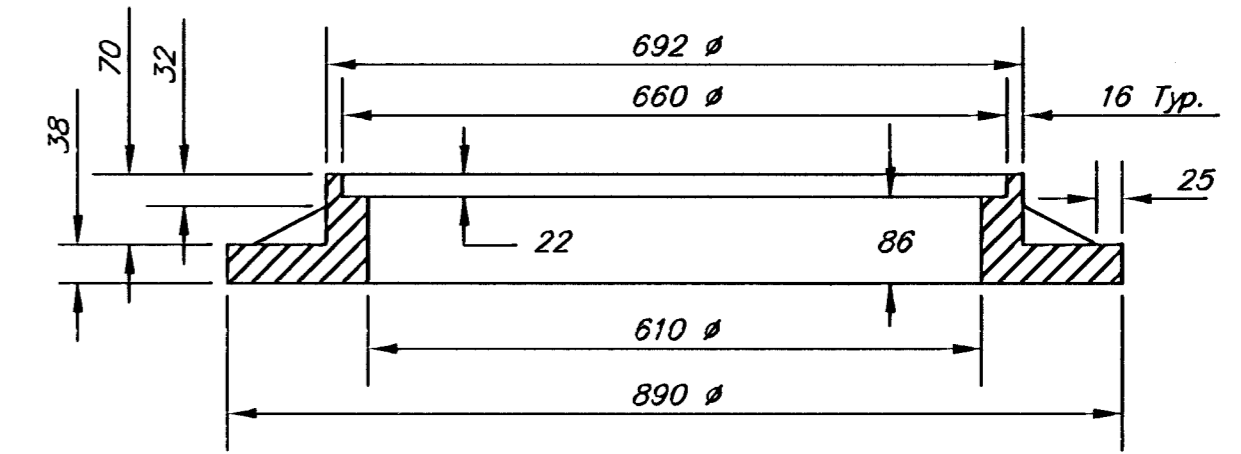
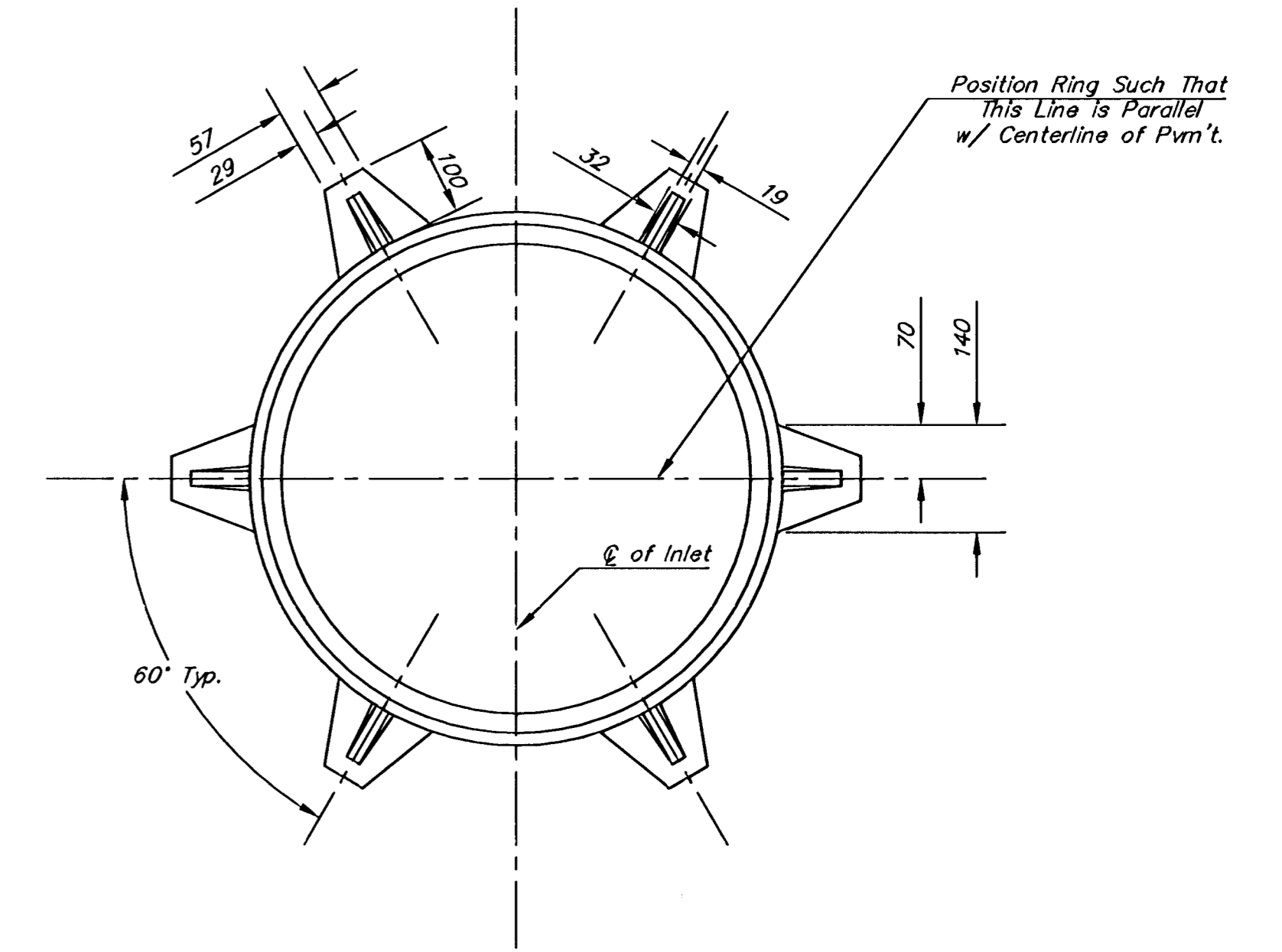
STANDARD CURB INLET PRECAST TOPS			
W	PRE-CAST TOP SIZE	PIPE SIZE	m <sup>3</sup> CONC.
1 320	1 120 x 1 930 x 190	535 mm & SMALLER	0.29±
1 630	1 430 x 1 930 x 190	600 mm & 750 mm	0.39±
1 930	1 730 x 1 930 x 190	900 mm & 1 050 mm	0.49±
2 240	2 040 x 1 930 x 190	1 200 mm & 1 350 mm	0.59±
2 540	2 340 x 1 930 x 190	1 500 mm & 1 680 mm	0.69±



SECTION A-A

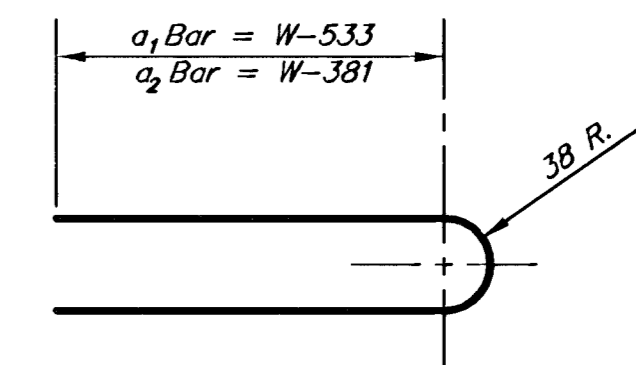


SECTION B-B



MANHOLE RING AND COVER

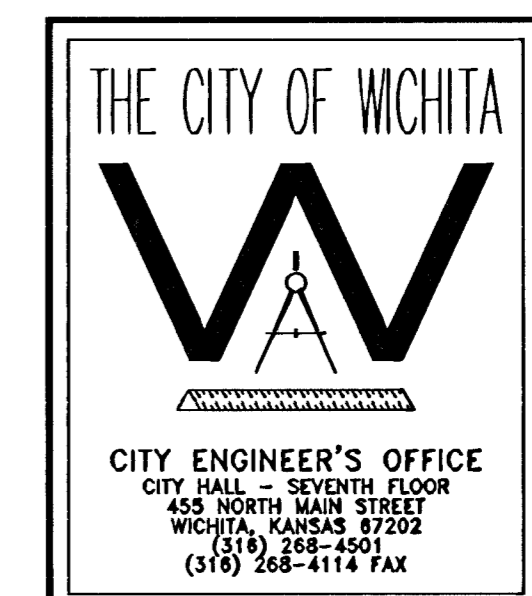
\*See City of Wichita Standard Manhole Ring and Cover Detail Sheet for Cover Details to Be Used With Inlet Frame.



BENDING DIAGRAM

GENERAL NOTES

- Concrete tops to be installed on thin mortar cushion to insure full support along brick walls. Concrete tops may be cast in place or precast. Concrete used for inlet construction shall be concrete pavement mix.
- Contractor shall have the option of constructing 200 mm brick masonry walls between the concrete inlet base and top on this inlet when W=1 930 mm and H=2 135 mm or less.
- Inlet invert shall be shaped with 8 sack sand mix concrete to create flow channels and to increase hydraulic efficiency such that the inlet will be self cleaning between all inlet and/or outlet pipes.
- The ends of all pipes installed in inlets shall be cut off flush with the inside face of the inlet wall.



<b>STANDARD TYPE 1 CURB INLET</b>	
<b>OPENING = 150 x 1 530</b>	
M. E. LINDEBAK P.E. - CITY ENGINEER	
PROJECT NUMBER	INDEX CODE
87 N-0287-01	XXXXXX
DATE	SHEET 36 OF 107
MAR 96	