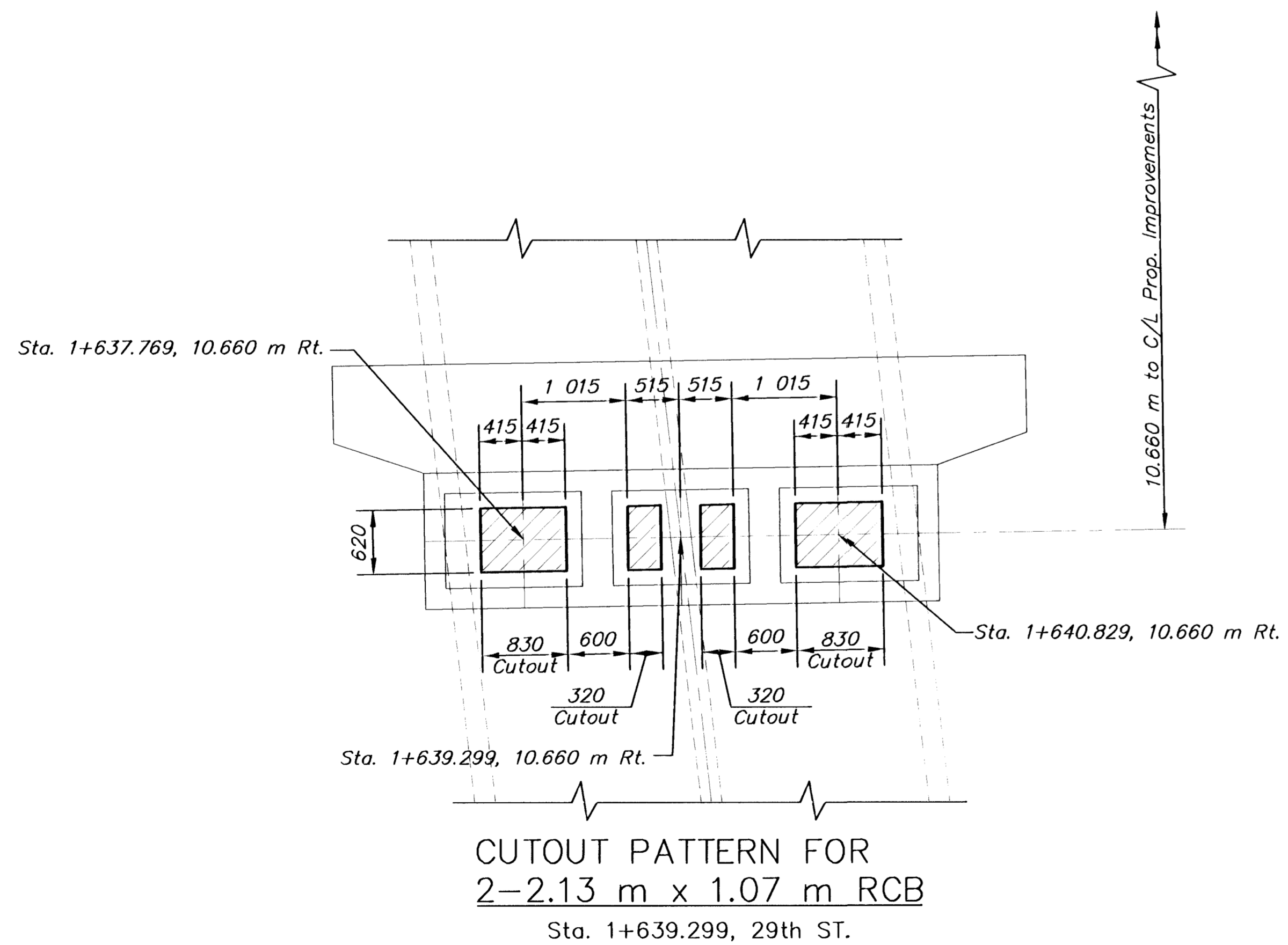
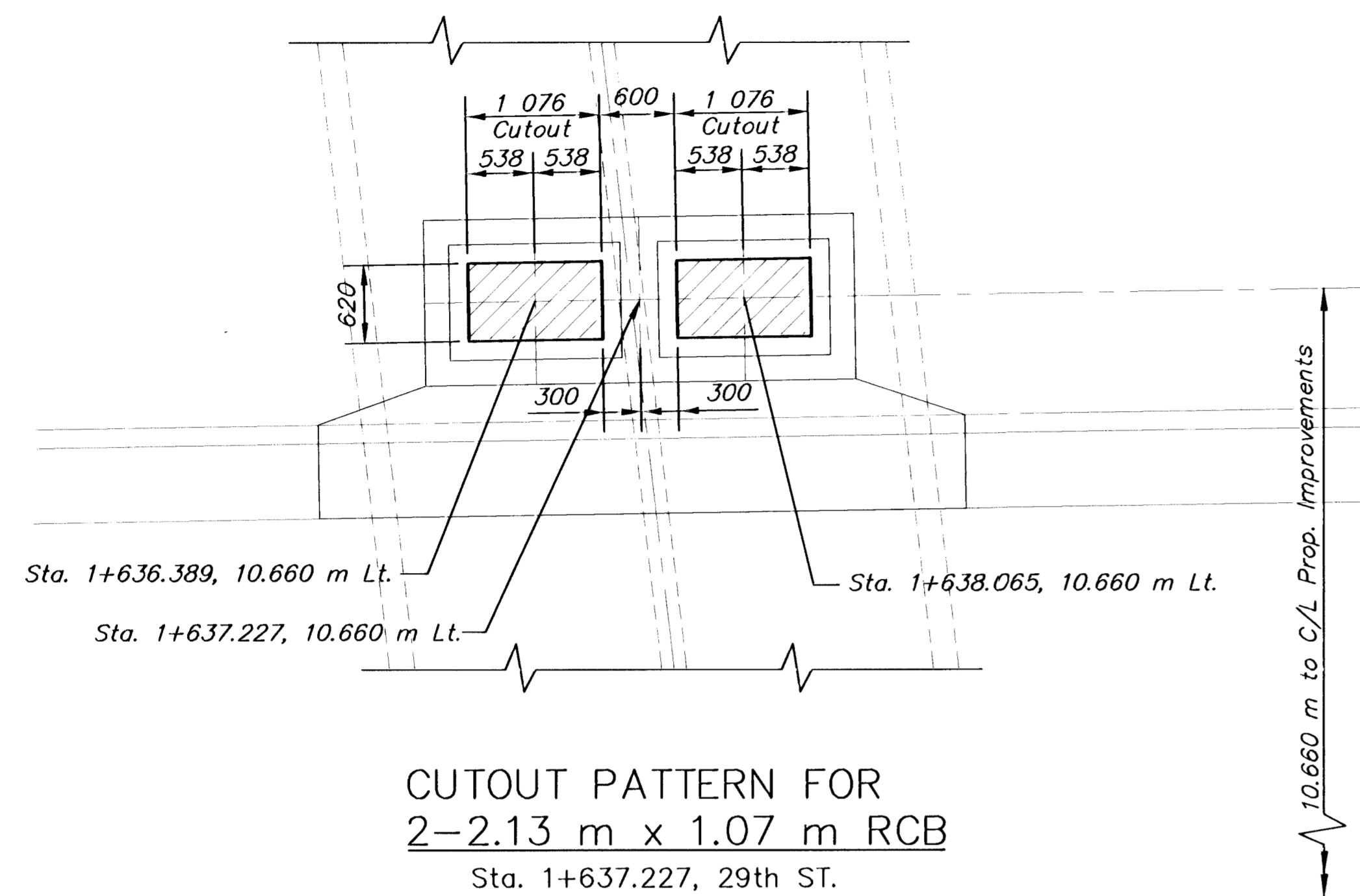


STATE	PROJECT NO.	YEAR	SHEET NO	TOTAL SHEETS
KANSAS	87 N-0287-01	2002	47	107



2					
1					
NO.	DATE	REVISIONS	BY	APP'D	
KANSAS DEPARTMENT OF TRANSPORTATION					
<b>29TH. STREET NORTH</b>					
<b>RCB DETAILS</b>					
PROJ. NO. 87 N-0287-01			SEDGWICK CO.		
<b>MKEC ENGINEERING CONSULTANTS, INC.</b>					
WICHITA, KANSAS					
DESIGNED BY:	ASH	CHECKED BY:	GJA		
DRAWN BY:	WNJ	DATE:	Jan. 2002	SHEET	47 OF 107