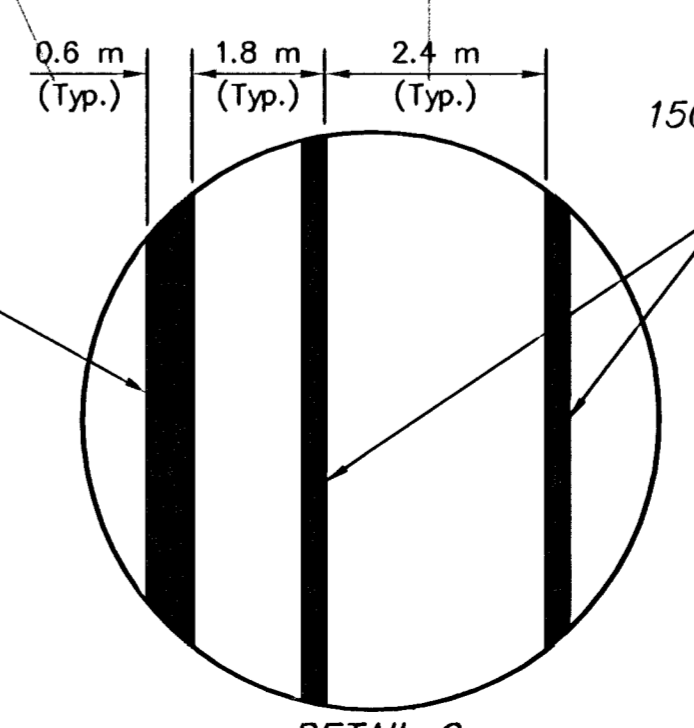
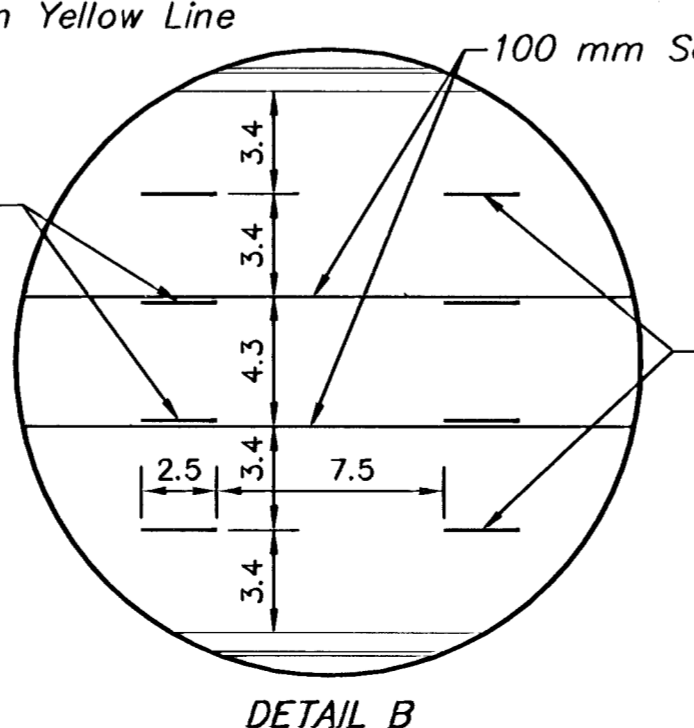
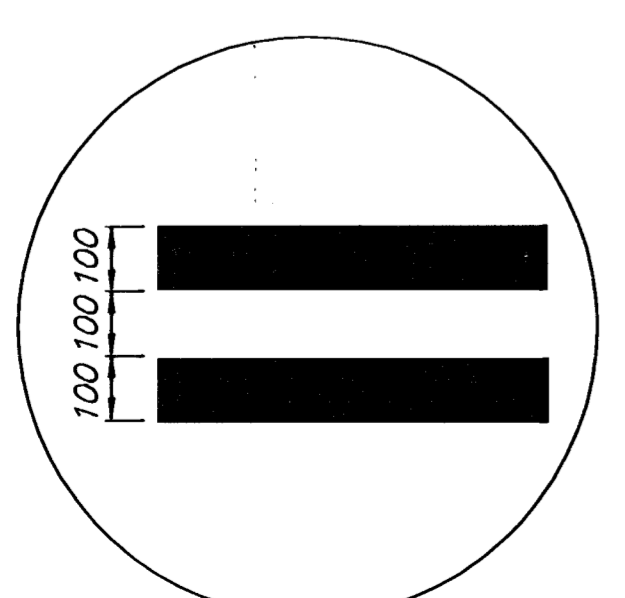
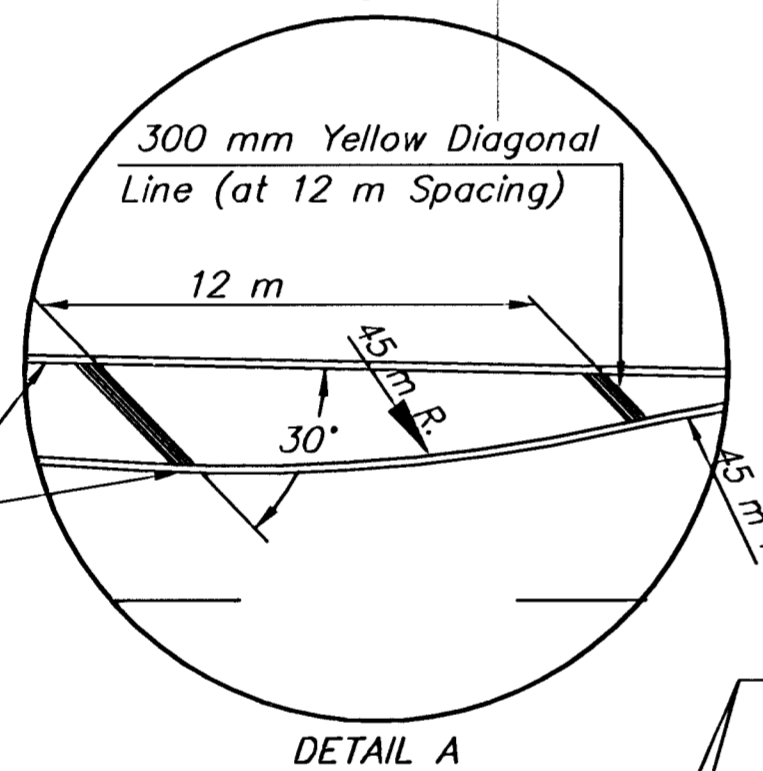
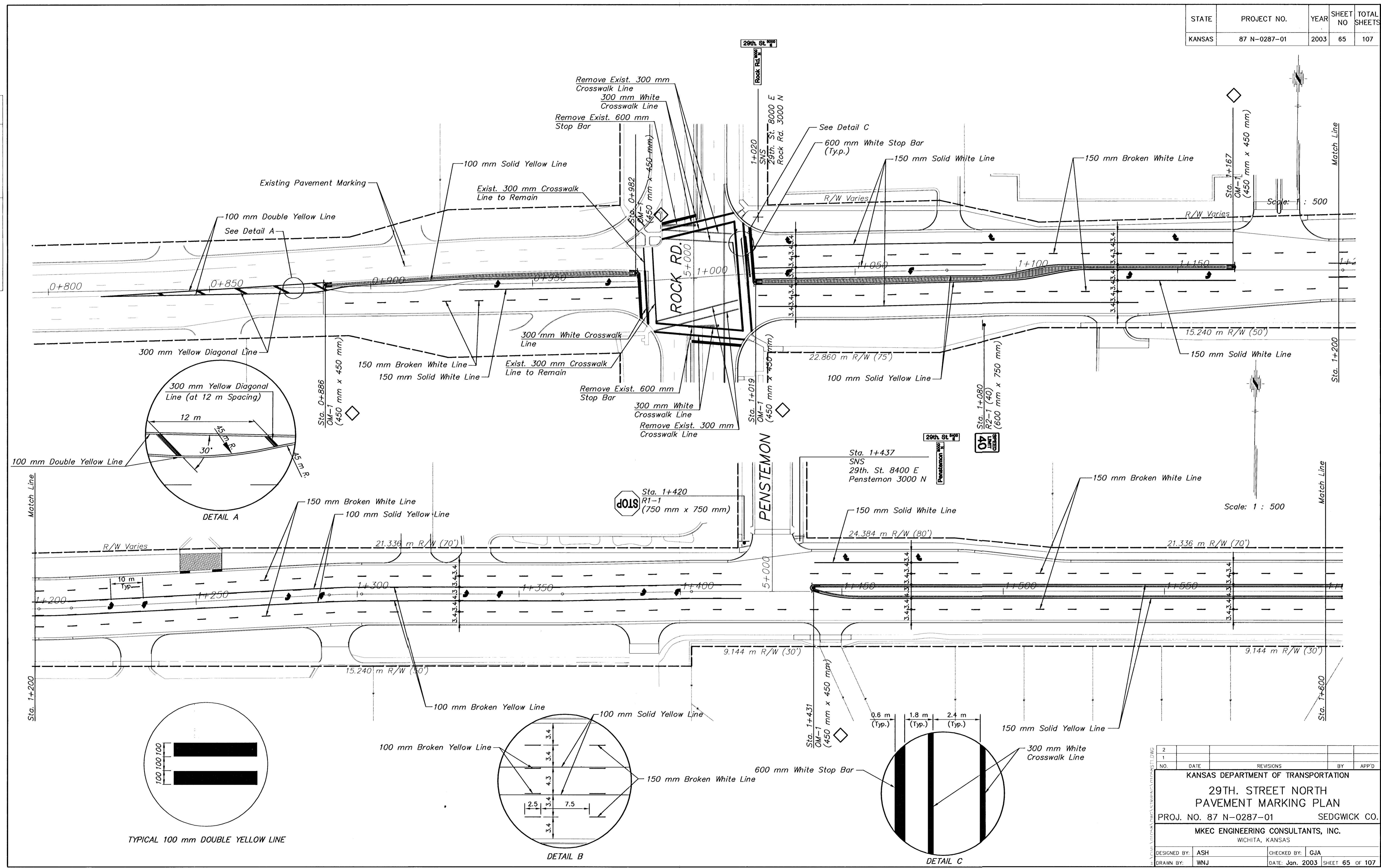


STATE	PROJECT NO.	YEAR	SHEET NO	TOTAL SHEETS
KANSAS	87 N-0287-01	2003	65	107

DATE	
BY	
REFERENCES NOTED	
REFERENCES CHECKED	



2					
1					
NO.	DATE	REVISIONS	BY	APP'D	
KANSAS DEPARTMENT OF TRANSPORTATION					
29TH. STREET NORTH					
PAVEMENT MARKING PLAN					
PROJ. NO. 87 N-0287-01			SEDGWICK CO.		
MKEC ENGINEERING CONSULTANTS, INC.					
WICHITA, KANSAS					
DESIGNED BY:	ASH	CHECKED BY:	GJA		
DRAWN BY:	WNJ	DATE:	Jan. 2003	SHEET 65 OF 107	