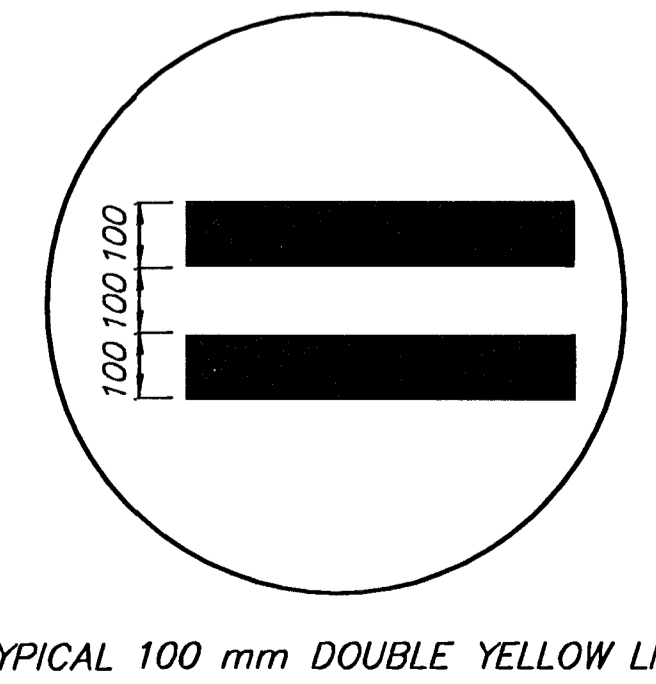
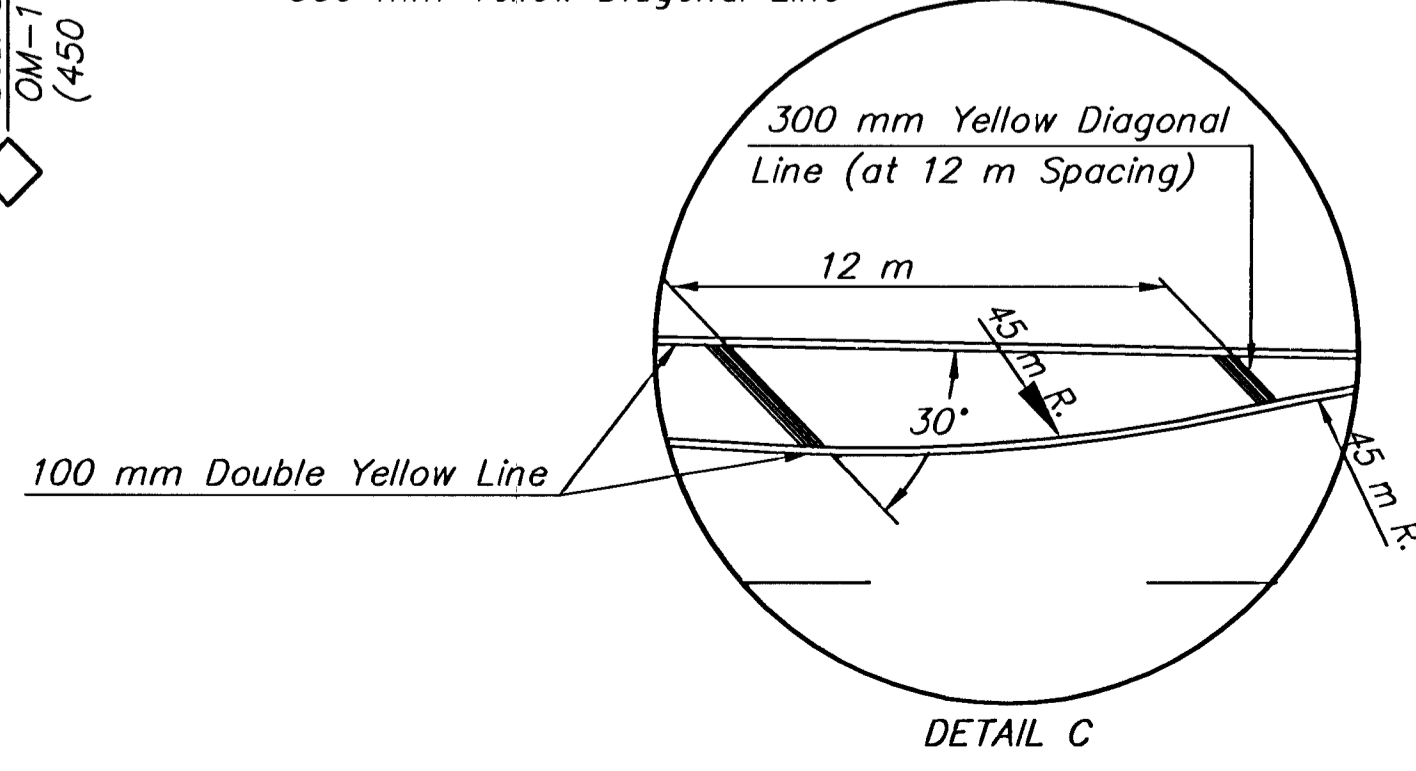
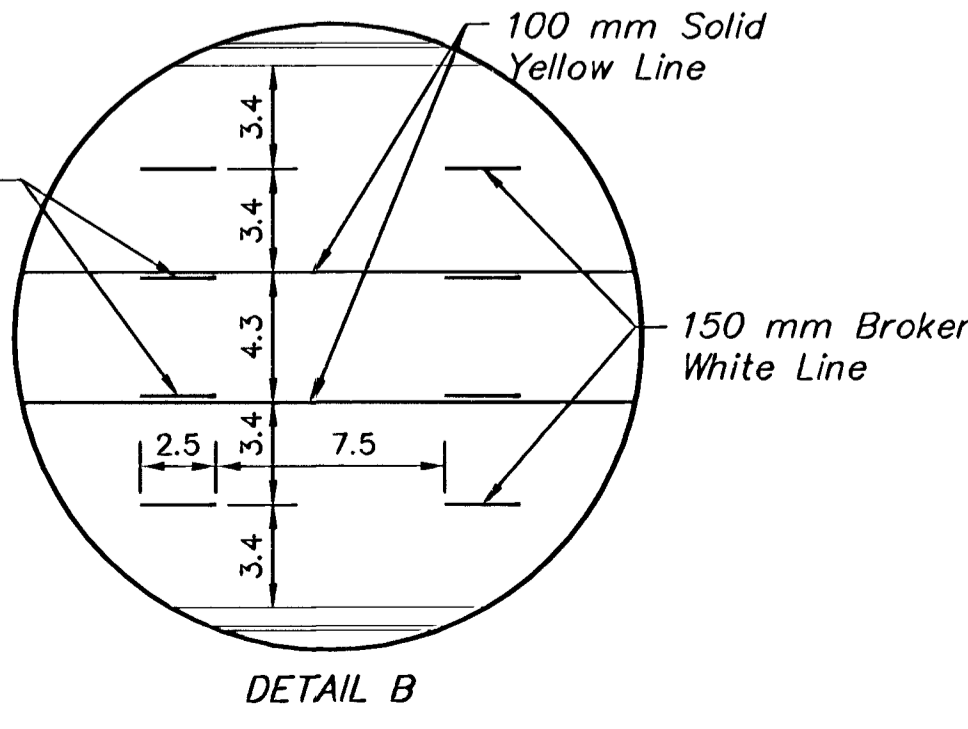
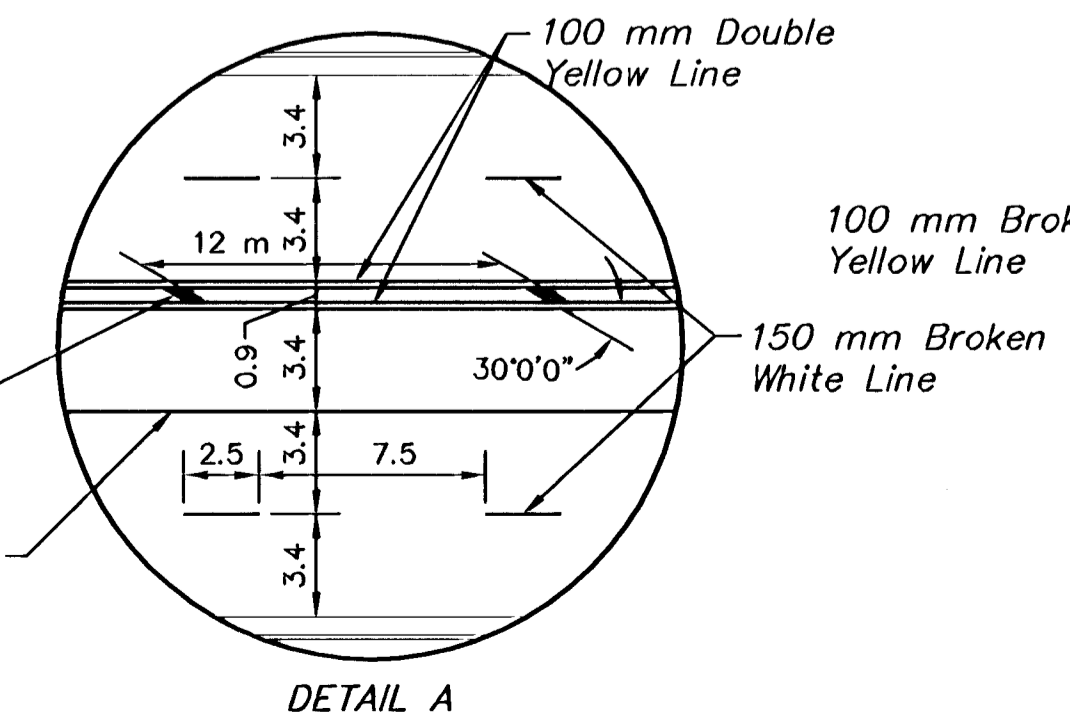
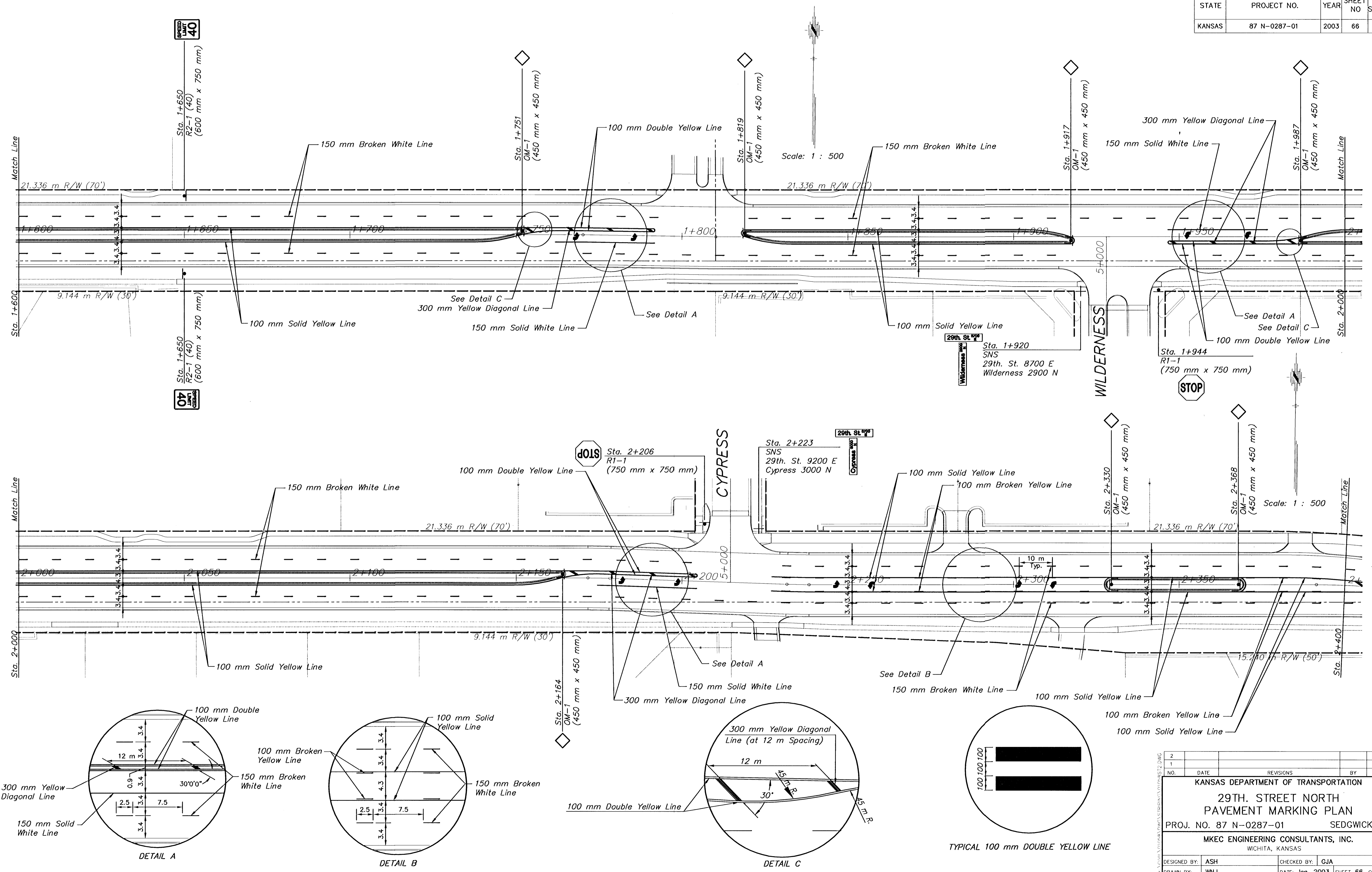


STATE	PROJECT NO.	YEAR	SHEET NO	TOTAL SHEETS
KANSAS	87 N-0287-01	2003	66	107

DATE	
BY	
REFERENCES NOTED	
REFERENCES CHECKED	



NO.	DATE	REVISIONS	BY	APP'D
2				
1				

KANSAS DEPARTMENT OF TRANSPORTATION
**29TH. STREET NORTH
 PAVEMENT MARKING PLAN**
 PROJ. NO. 87 N-0287-01 SEDGWICK CO.
 MKEC ENGINEERING CONSULTANTS, INC.
 WICHITA, KANSAS

DESIGNED BY: ASH CHECKED BY: GJA
 DRAWN BY: WNU DATE: Jan. 2003 SHEET 66 OF 107