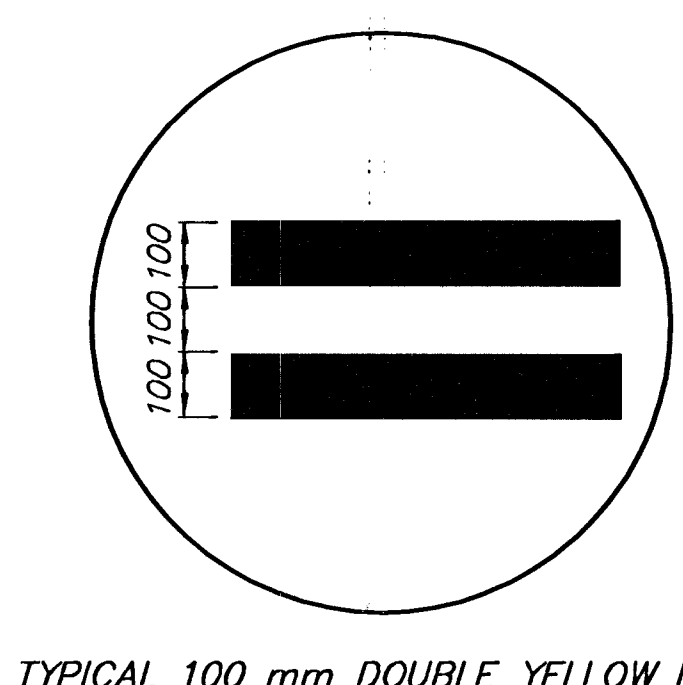
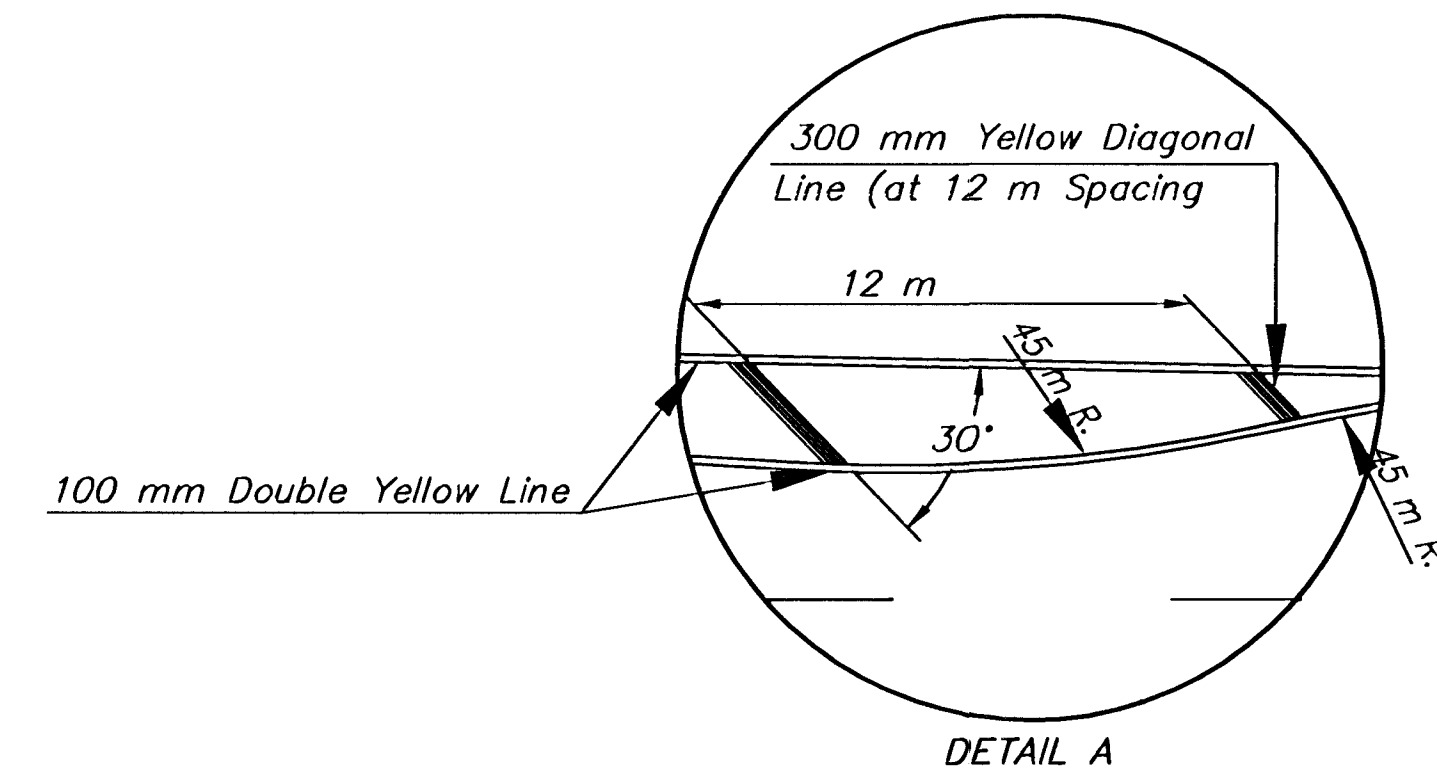
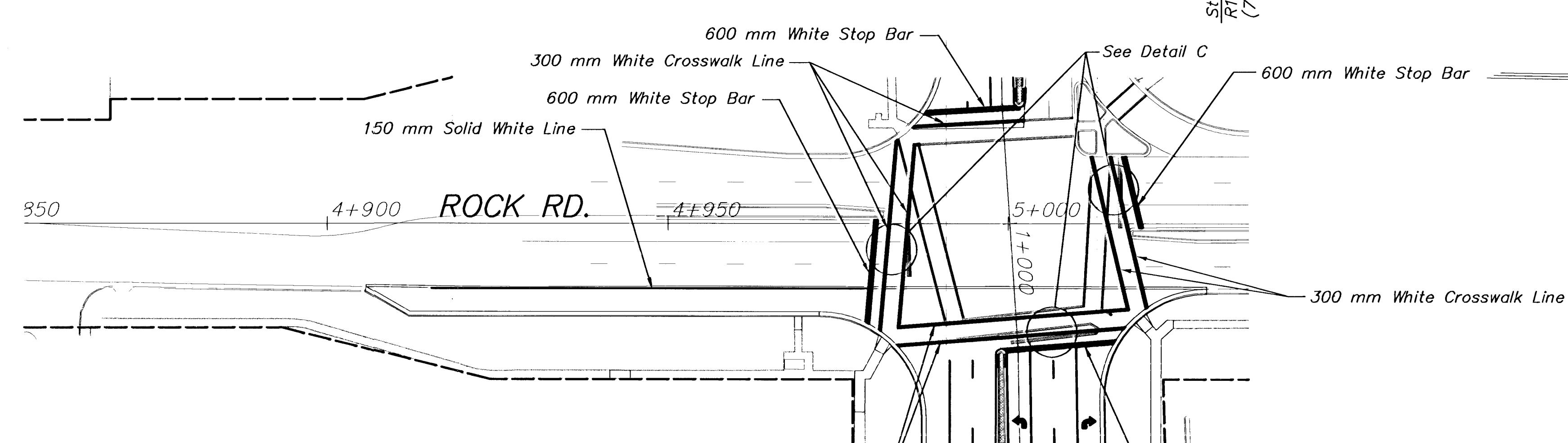
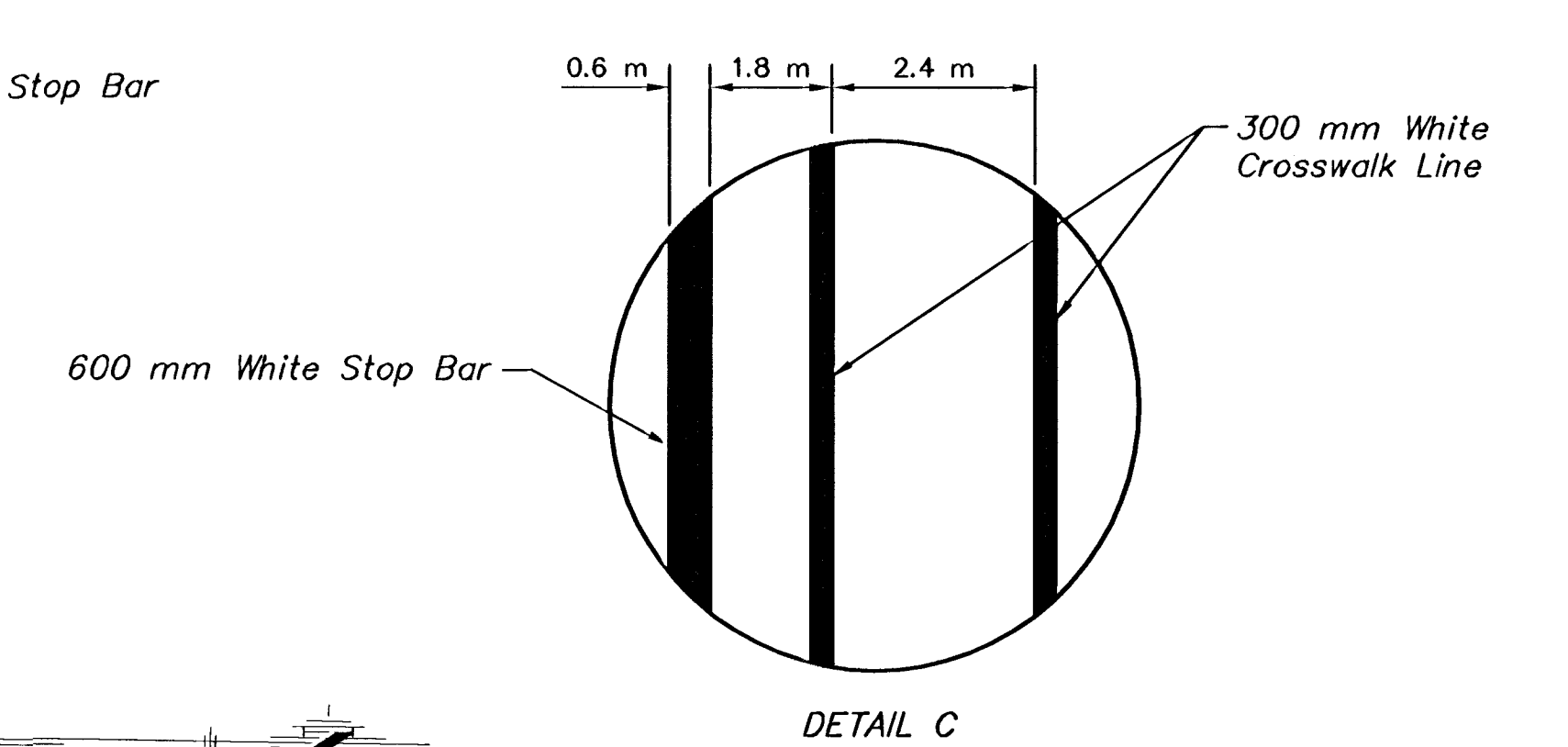
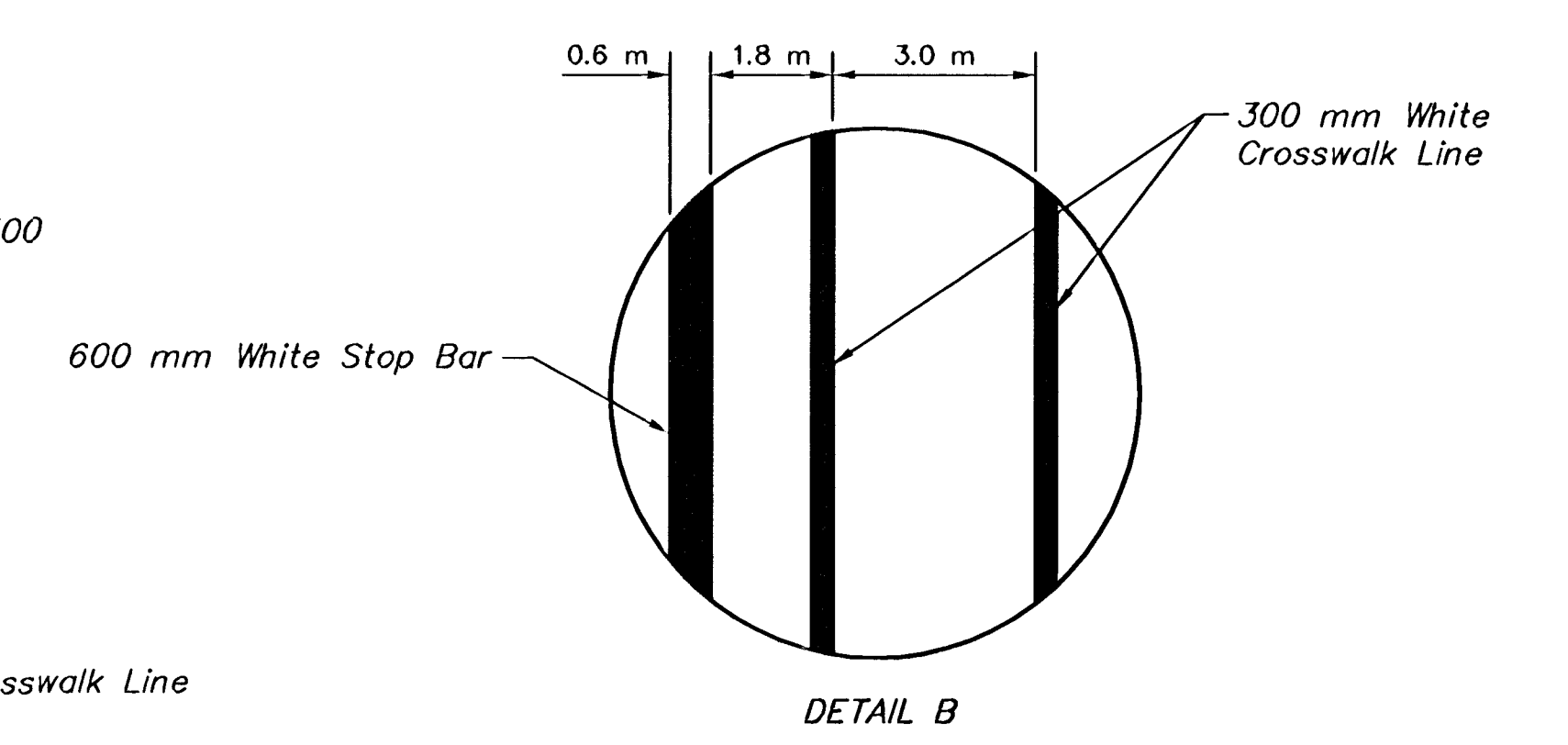
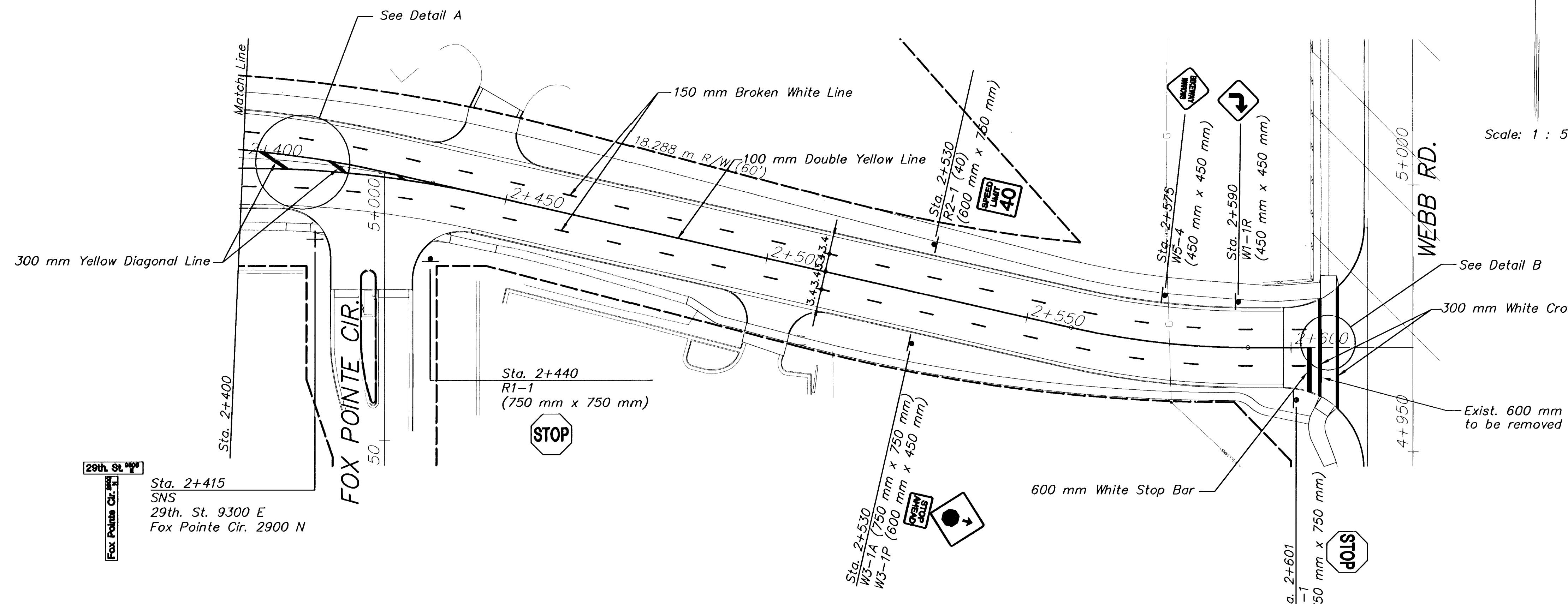


STATE	PROJECT NO.	YEAR	SHEET NO	TOTAL SHEETS
KANSAS	87 N-0287-01	2003	67	107

DATE	
BY	
REFERENCES NOTED	
REFERENCES CHECKED	



SUMMARY OF QUANTITIES		
ITEMS	QUANTITY	UNIT
Pavement Marking (Patterned Cold Plastic)(White)(150 mm)	1,435	m
Pavement Marking (Patterned Cold Plastic)(White)(300 mm)	227	m
Pavement Marking (Patterned Cold Plastic)(White)(600 mm)	66	m
Pavement Marking (Patterned Cold Plastic)(Yellow)(100 mm)	3,836	m
Pavement Marking (Patterned Cold Plastic)(Yellow)(300 mm)	56	m
Pavement Marking Symbol (Patterned Cold Plastic)(White)(Left Turn)	24	EACH
Pavement Marking Symbol (Patterned Cold Plastic)(White)(Right Turn)	5	EACH

RECAPITULATION OF QUANTITIES		
BID ITEM	QUANTITY	UNIT
Pavement Marking	Lump Sum	L.S.

2				
1				
NO.	DATE	REVISIONS	BY	APP'D
KANSAS DEPARTMENT OF TRANSPORTATION				
29TH. STREET NORTH & ROCK RD.				
PAVEMENT MARKING PLAN				
PROJ. NO. 87 N-0287-01			SEDGWICK CO.	
MKEC ENGINEERING CONSULTANTS, INC.				
WICHITA, KANSAS				
DESIGNED BY:	ASH	CHECKED BY:	GJA	
DRAWN BY:	WNJ	DATE:	Jan. 2003	SHEET 67 OF 107