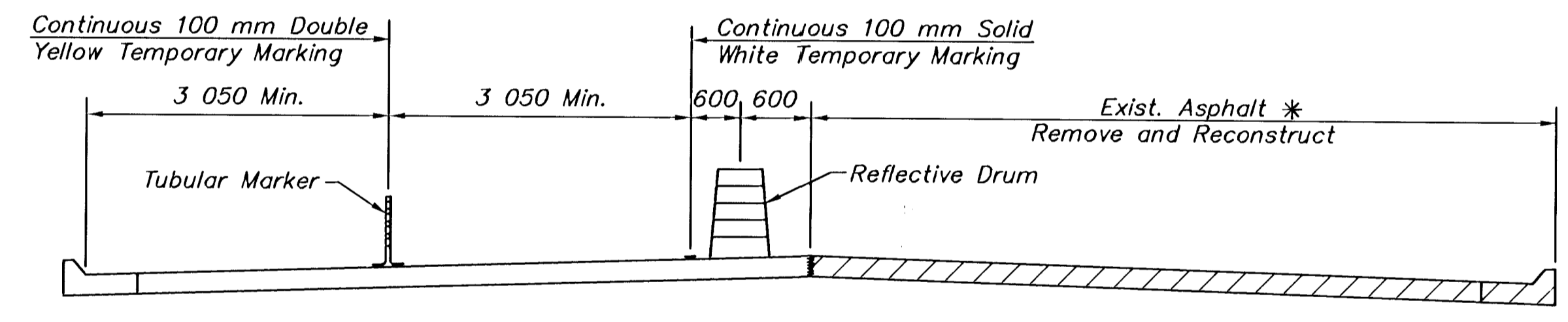


STATE	PROJECT NO.	YEAR	SHEET NO.	SHEETS
KANSAS	87 N-0287-01	2003	70	107

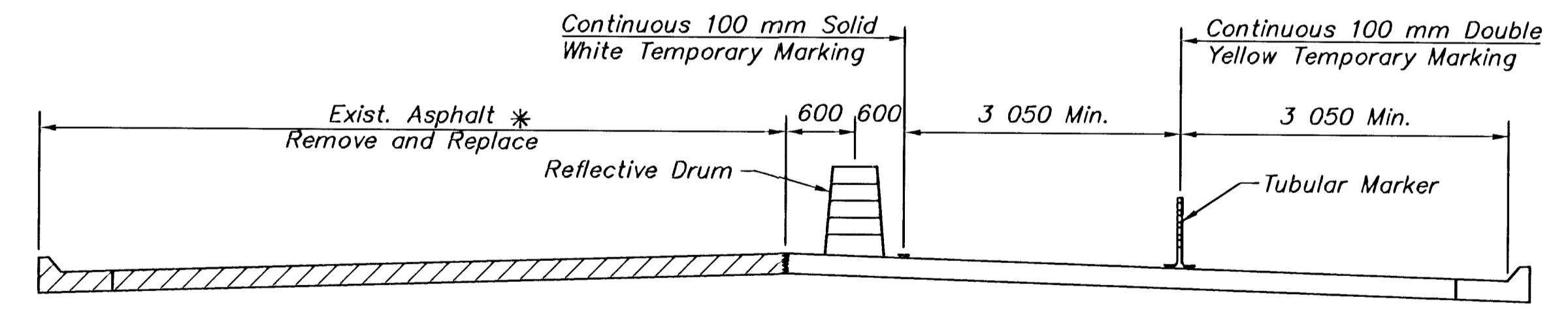
RECOMMENDED CONSTRUCTION SEQUENCE AND TRAFFIC HANDLING			
PHASE	HANDLING OF TRAFFIC	MAJOR CONSTRUCTION ITEMS	REMARKS
1	Two-way traffic on North Side of 29th. from Rock Road to Penstemon.  Two-way traffic on 29th. Street moves from North side to South side at Penstemon.  The Contractor shall install and operate a Temporary Traffic Signal at the 29th. Street and Rock Road intersection until such time as the permanent traffic signal is in.	Install traffic control signs, signals and devices.  Construct South half of 29th. Street West of Rock Rd.  Construct South half of 29th. Street from Rock Road to Penstemon, excluding the medians. As soon as this phase is complete proceed to Phase 2.  Construct North half of 29th. Street, excluding the medians, from Penstemon to Webb Road.  Construct Storm Sewer System on North half of 29th. Street.  Construct New Traffic Signal Pole at SE and SW corners of Rock Rd. and 29th. Street.	Contractor will maintain access to properties. Paving operations at entrances will be phased to allow continued points of access.  Contractor must insure that adequate protection is maintained for all open excavation.  Contractor shall close off the outside southbound lane on Webb and the outside northbound lane on Rock, during the excavation on 29th by these two roads. Contractor shall reopen these lanes when excavation is complete.  Excavation work at Rock and Webb shall be done between 7:30 pm Friday to 6:00 am on Monday.
2	Two-way traffic on South side of 29th Street.	Construct North half of 29th Street, including the median East of Rock Road to the Wal Mart entrance, excluding the rest of the medians.  Construct Storm Sewer System on North half of 29th Street.  Construct New Traffic Signal Poles at NE, and NW corners of Rock Road and 29th Street.	Contractor will maintain access to properties. Paving operations at entrances will be phased to allow continued points of access.  Contractor must insure that adequate protection is maintained for all open excavation.  Contractor shall close off the outside southbound lane on Webb and the outside northbound lane on Rock, during the excavation on 29th by these two roads. Contractor shall reopen these lanes when excavation is complete.
3	Two-way traffic on North side of 29th Street.	Construct the rest of South half of 29th Street, including the medians.  Construct Storm Sewer System on South half of 29th Street.  Construct Turn Lane Widening and Storm Sewer on Rock Road.  Complete Signing and Striping under traffic.	Excavation work at Rock and Webb shall be done between 7:30 pm Friday to 6:00 am on Monday.

NOTE: All work required for traffic control shall be bid as "Traffic Control".



**TYPICAL SECTION FOR PHASE I AND PHASE III**

\* West of Rock Rd. to Penstemon Phase I



**TYPICAL SECTION FOR PHASE I AND PHASE II**

\* Penstemon to Webb Rd. Phase I

**CONSTRUCTION SEQUENCE NOTES**

All signs and pavement markings conflicting with this traffic control shall be covered or removed as directed by the Engineer.

The Contractor shall install and operate a Temporary Traffic Signal at the 29th. Street and Rock Road intersection. The Contractor shall prepare plans for Temporary Traffic Signals in consultation with the Traffic Engineer and in conformance with the Contractor's Traffic Control Plan. Notify City of Wichita Traffic Maintenance 7 days prior to signal turn-on.

As the various construction activities progress, certain situations may arise which will preclude adhering to the original construction sequence or which in the opinion of the Contractor, would readily adapt themselves to a more efficient phasing operation. Should this occur, the Contractor may submit to the Engineer an alternative plan for approval.

Two-way traffic and left turns from Rock Rd. will be maintained on 29th and Rock.

Contractor shall maintain existing drainage system nearly as possible during construction, or supplement the existing system with ditches and temporary pipes. Temporary pipes shall be removed or filled with grout before final construction.

KANSAS DEPARTMENT OF TRANSPORTATION			
CONSTRUCTION STAGING SUMMARY AND TRAFFIC CONTROL			
PROJ. NO. 87 N-0287-01		SEDGWICK CO.	
MKEC ENGINEERING CONSULTANTS, INC.			
WICHITA, KANSAS			
DESIGNED BY:	ASH	CHECKED BY:	GJA
DRAWN BY:	WUJ	DATE:	Jan. 2002 SHEET 70 OF 107