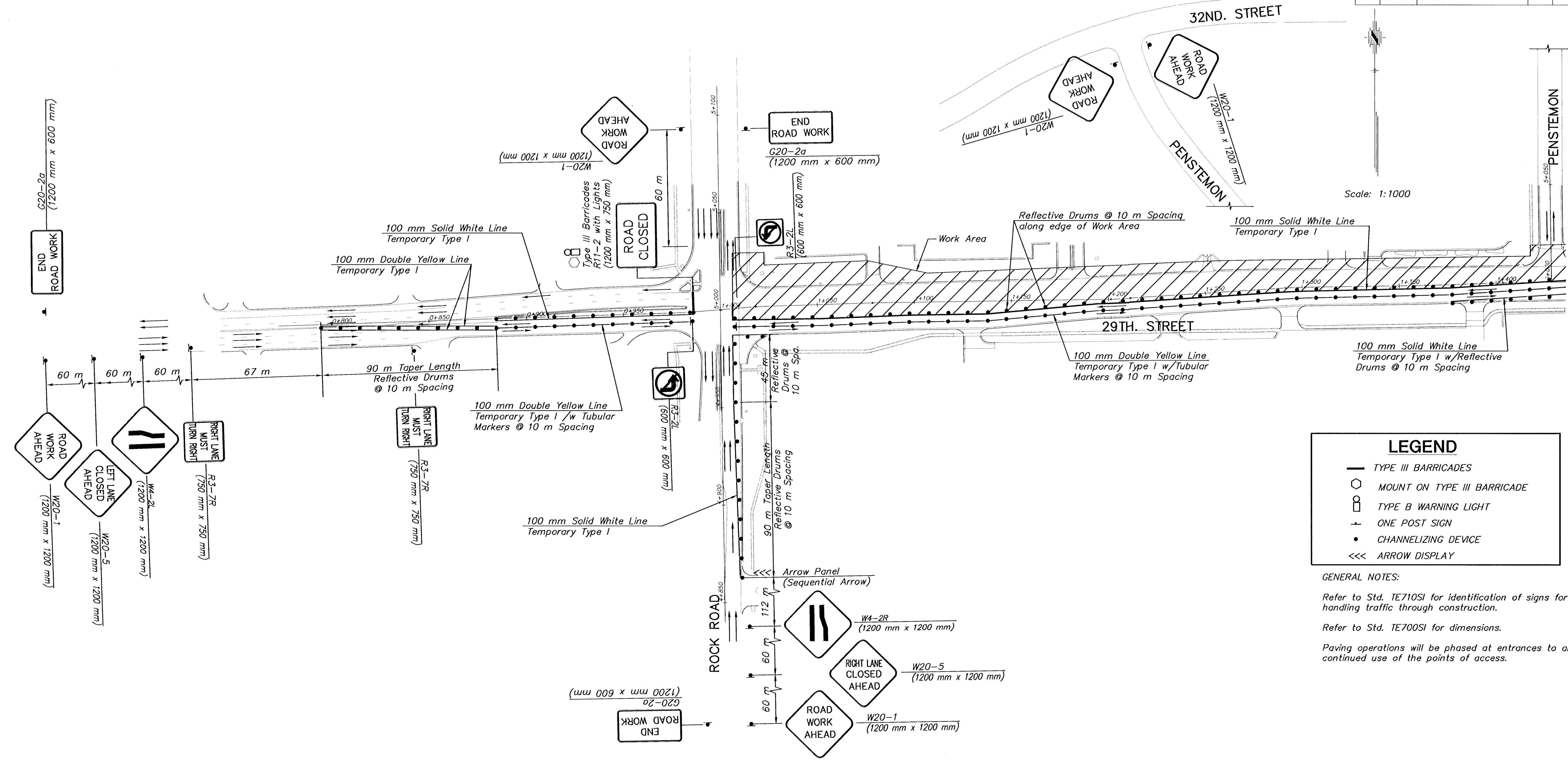


FHWA REG NO.	STATE	PROJECT NO.	YEAR	SHEET NO.	TOTAL SHEETS
7	KANSAS	87 N-0287-01	2003	74	107

DATE	
BY	
REFERENCES NOTED	
REFERENCES CHECKED	



Scale: 1:1000

LEGEND

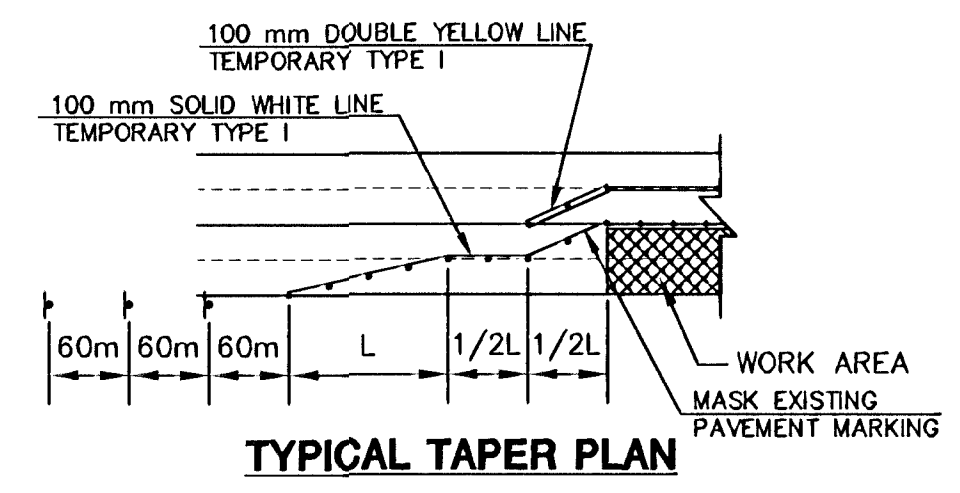
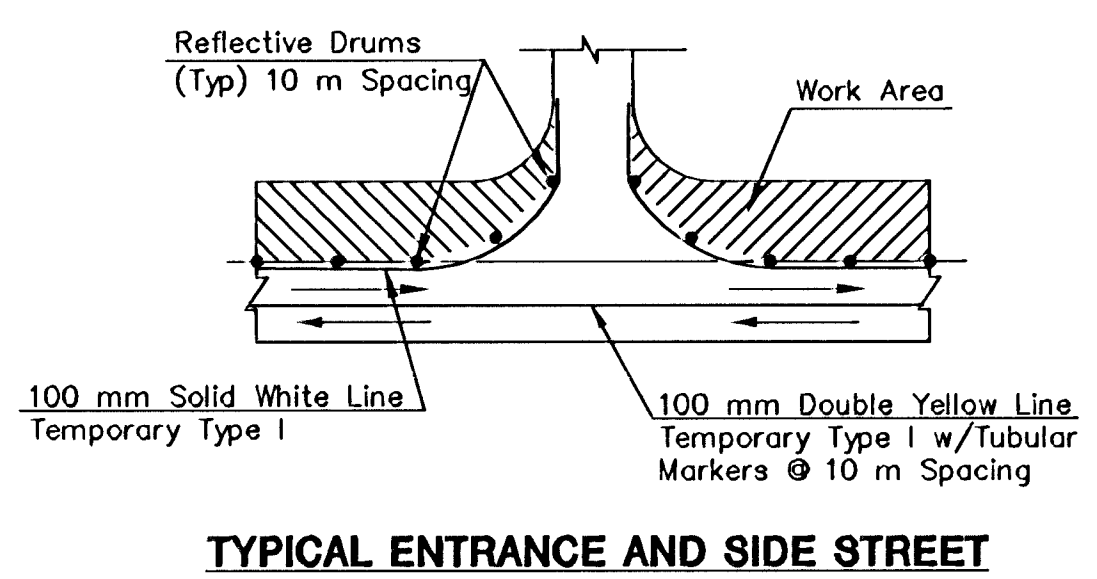
- TYPE III BARRICADES
- MOUNT ON TYPE III BARRICADE
- TYPE B WARNING LIGHT
- ONE POST SIGN
- CHANNELIZING DEVICE
- <<< ARROW DISPLAY

GENERAL NOTES:

Refer to Std. TE710SI for identification of signs for handling traffic through construction.

Refer to Std. TE700SI for dimensions.

Paving operations will be phased at entrances to allow continued use of the points of access.



2					
1					
NO.	DATE	REVISIONS	BY	APP'D	
KANSAS DEPARTMENT OF TRANSPORTATION					
29TH. STREET NORTH					
TRAFFIC CONTROL					
PHASE 2					
PROJ. NO. 87 N-0287-01			SEDGWICK CO.		
MKEC ENGINEERING CONSULTANTS, INC.					
WICHITA, KANSAS					
DESIGNED BY:	ASH	CHECKED BY:	GJA		
DRAWN BY:	WNJ	DATE:	Jan. 2003	SHEET 74 OF 107	