

FHWA REG NO.	STATE	PROJECT NO.	YEAR	SHEET NO	TOTAL SHEETS
7	KANSAS	87 N-0287-01	2003	75	107

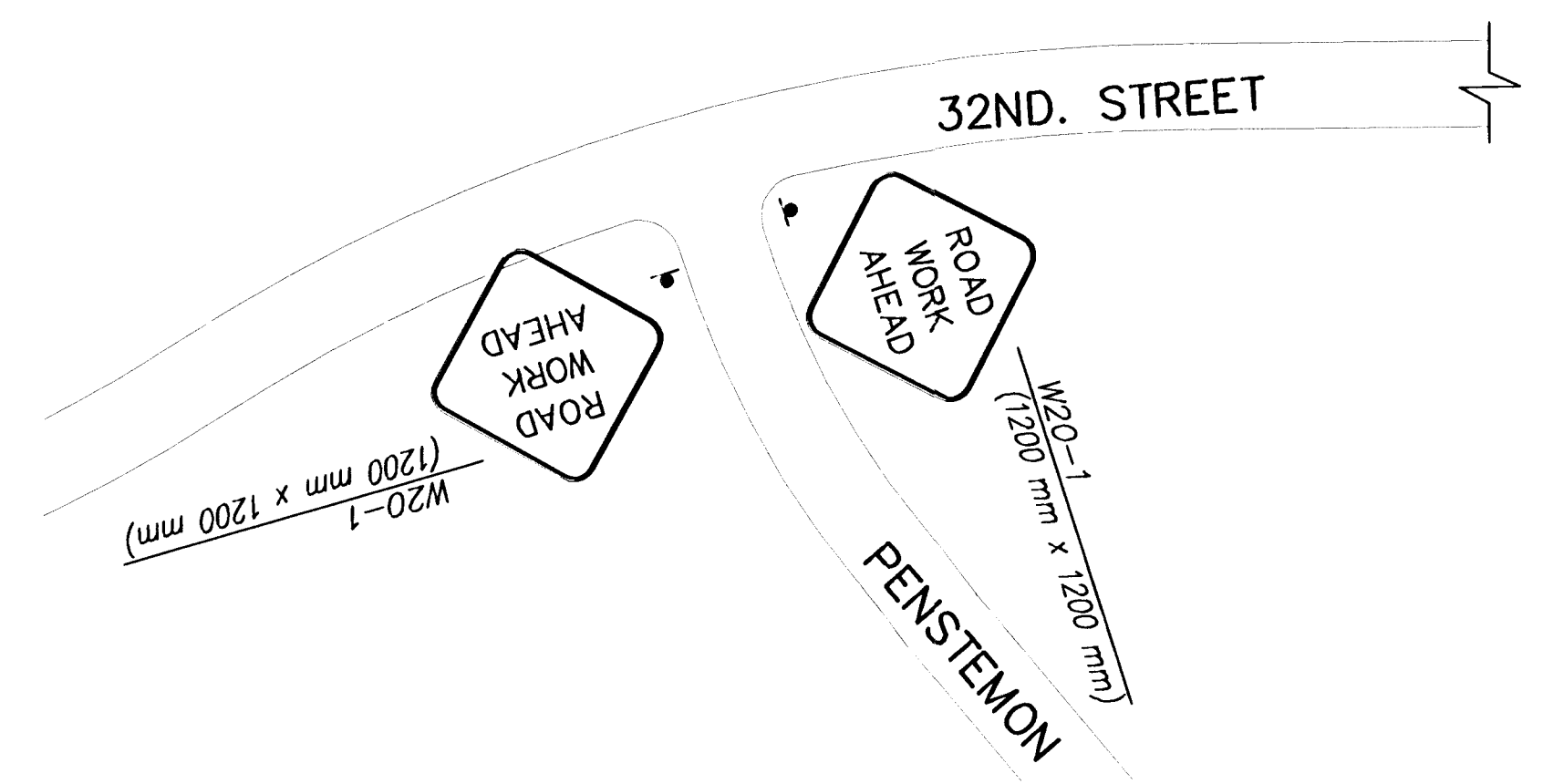
**LEGEND**

- TYPE III BARRICADES
- MOUNT ON TYPE III BARRICADE
- TYPE B WARNING LIGHT
- ⊥ ONE POST SIGN
- CHANNELIZING DEVICE
- <<< ARROW DISPLAY

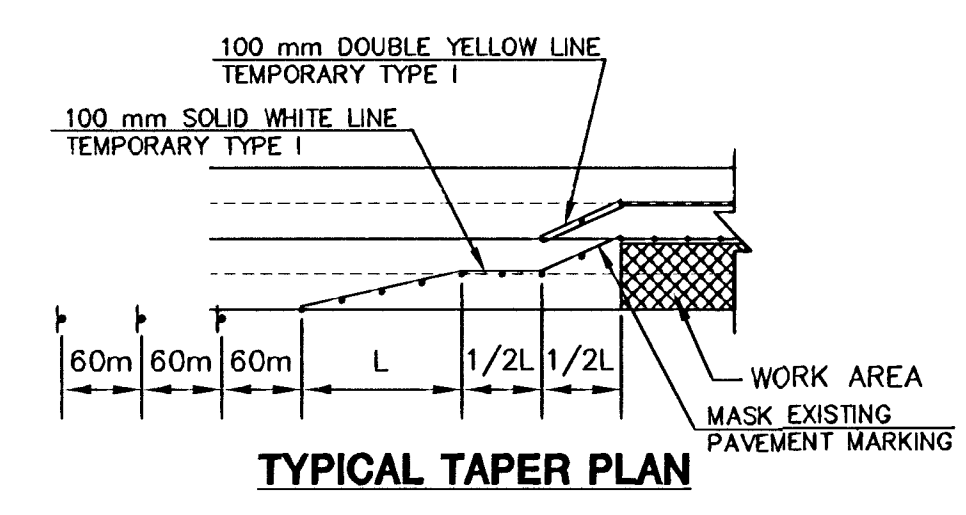
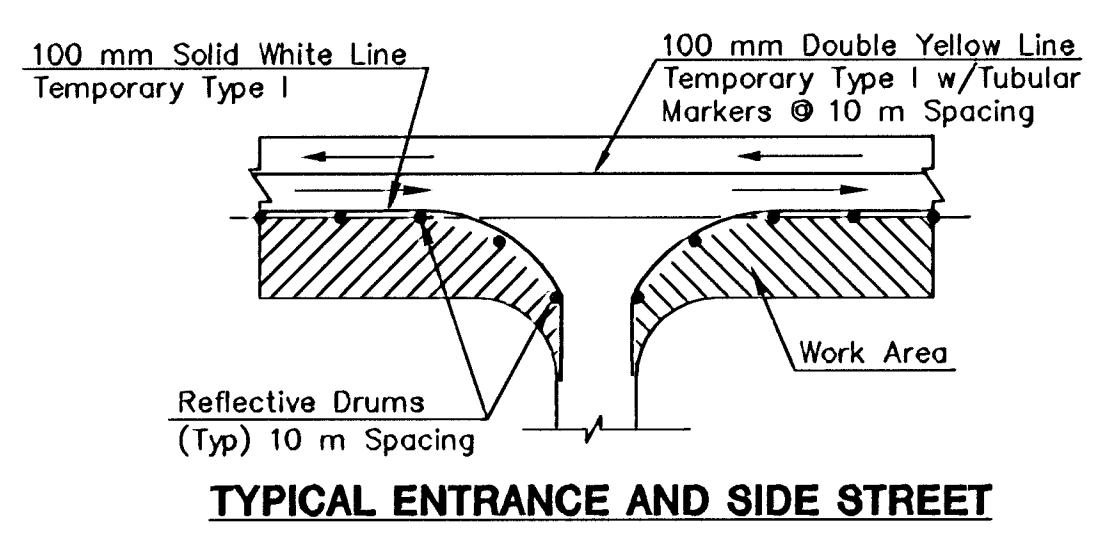
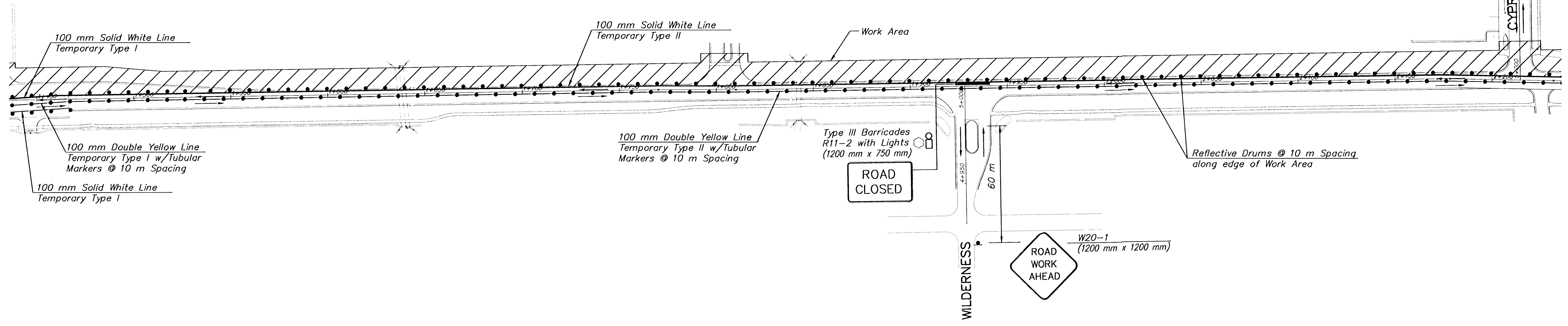
**GENERAL NOTES:**

Refer to Std. TE710SI for identification of signs for handling traffic through construction.  
 Refer to Std. TE700SI for dimensions.  
 Paving operations will be phased at entrances to allow continued use of the points of access.

DATE	
BY	
REFERENCES NOTED	
REFERENCES CHECKED	



Scale: 1:1000



NO.	DATE	REVISIONS	BY	APP'D
2				
1				

KANSAS DEPARTMENT OF TRANSPORTATION  
**29TH. STREET NORTH TRAFFIC CONTROL PHASE 2**  
 PROJ. NO. 87 N-0287-01 SEDGWICK CO.  
 MKEC ENGINEERING CONSULTANTS, INC.  
 WICHITA, KANSAS

DESIGNED BY: ASH CHECKED BY: GJA  
 DRAWN BY: WNJ DATE: Jan. 2003 SHEET 75 OF 107