

FHWA REG NO.	STATE	PROJECT NO.	YEAR	SHEET NO.	TOTAL SHEETS
7	KANSAS	87 N-0287-01	2003	79	107

### LEGEND

- TYPE III BARRICADES
- MOUNT ON TYPE III BARRICADE
- TYPE B WARNING LIGHT
- ↑ ONE POST SIGN
- CHANNELIZING DEVICE
- <<< ARROW DISPLAY

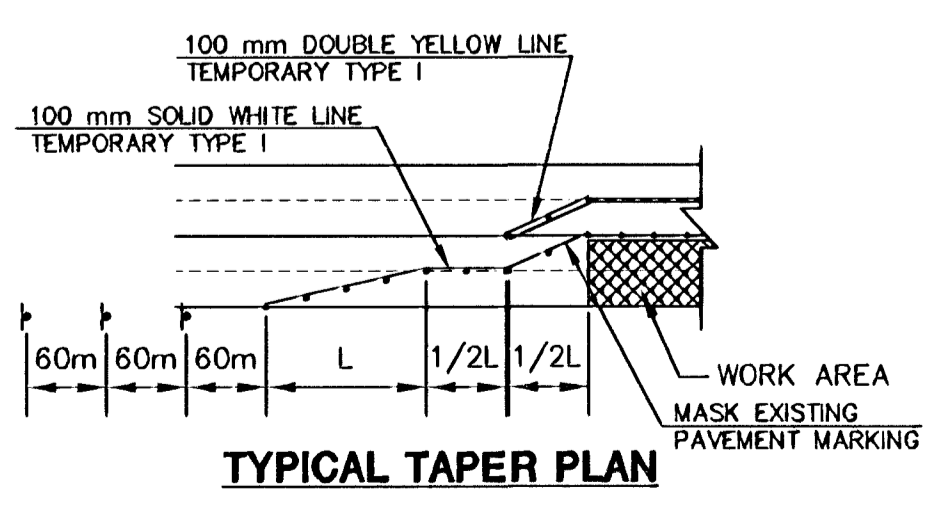
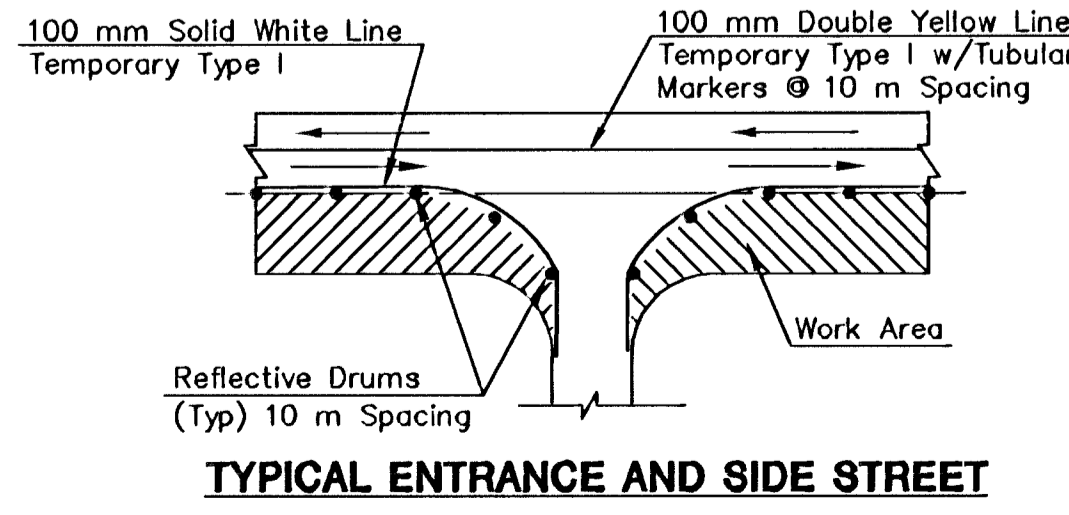
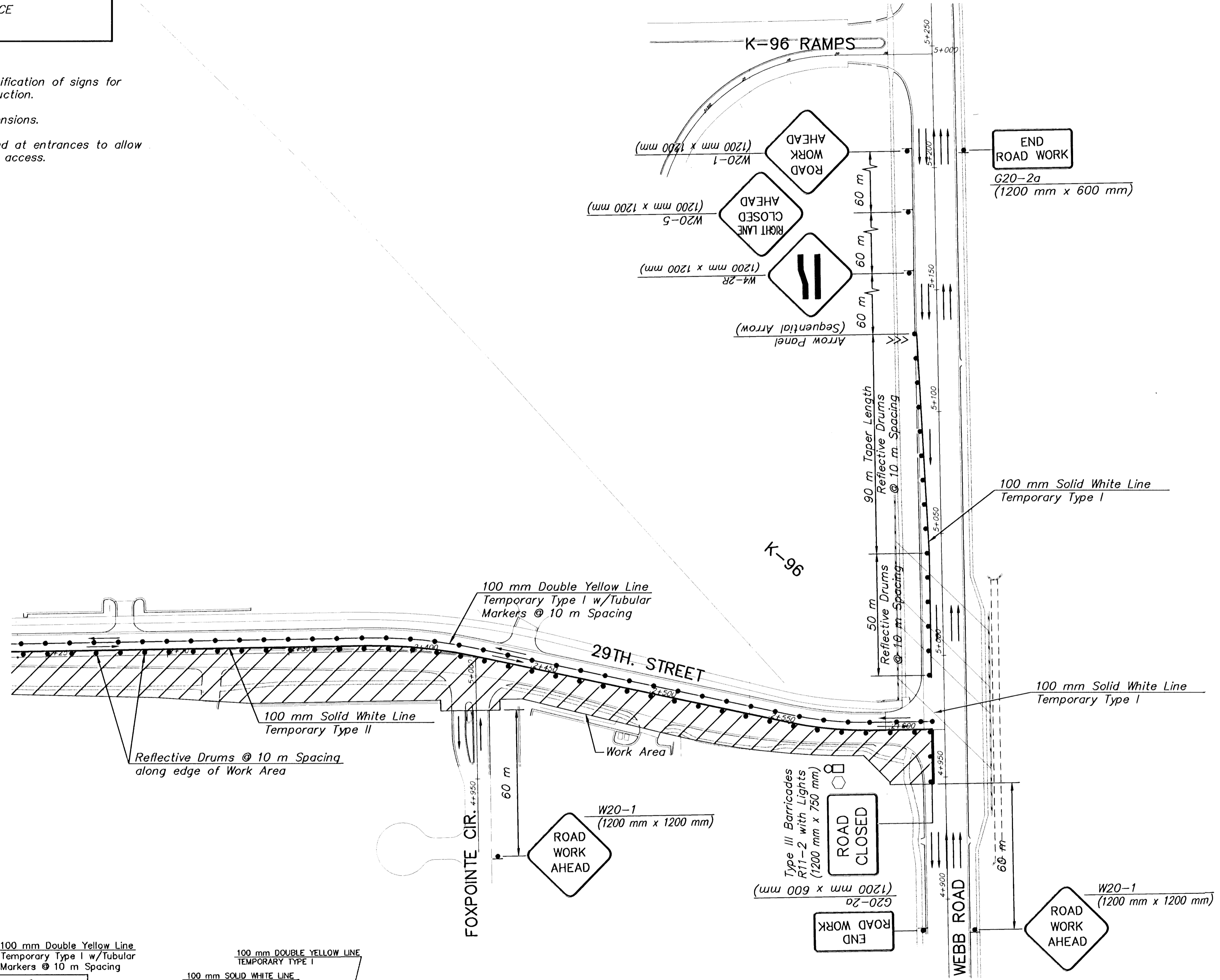
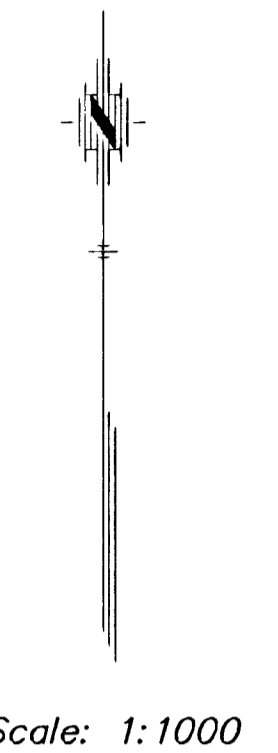
#### GENERAL NOTES:

Refer to Std. TE710SI for identification of signs for handling traffic through construction.

Refer to Std. TE700SI for dimensions.

Paving operations will be phased at entrances to allow continued use of the points of access.

DATE	
BY	
REFERENCES NOTED	
REFERENCES CHECKED	



2					
1					
NO.	DATE	REVISIONS	BY	APPD.	
KANSAS DEPARTMENT OF TRANSPORTATION					
29TH. STREET NORTH					
TRAFFIC CONTROL					
PHASE 3					
PROJ. NO. 87 N-0287-01			SEDGWICK CO.		
MKEC ENGINEERING CONSULTANTS, INC.					
WICHITA, KANSAS					
DESIGNED BY:	ASH	CHECKED BY:	GJA		
DRAWN BY:	WNJ	DATE:	Jan. 2003	SHEET 79 OF 107	