

**STRUCTURAL GENERAL NOTES:**

1. DESIGN AND CONSTRUCTION SHALL CONFORM TO THE "INTERNATIONAL BUILDING CODE, 2012 EDITION", AS AMENDED AND ADOPTED BY THE WICHITA-SEDGWICK COUNTY, KANSAS METROPOLITAN AREA BUILDING AND CONSTRUCTION DEPARTMENT. REFER TO THE SPECIAL INSPECTION NOTES FOR ADDITIONAL REQUIREMENTS.
2. DESIGN CRITERIA AND LOADS: ROOF LIVE LOAD - 20 PSF WITH CODE PROVISIONS FOR SNOW DRIFTING (Pg = 15 PSF); ROOF WALKWAY LIVE LOAD = 100 PSF; ULTIMATE WIND SPEED - 120 MPH (3 SECOND GUST), (93 MPH NOMINAL DESIGN) EXPOSURE C; RISK CATEGORY III; SEISMIC DESIGN CATEGORY - B; SEISMIC SITE CLASS - D.
3. THE TOTAL LOAD SOIL BEARING PRESSURE DOES NOT EXCEED 2500 PSF FOR ALL WALL AND COLUMN FOOTINGS. ALL FOOTINGS SHALL BEAR INTO UNDISTURBED NON-ORGANIC SOILS OR INTO A CONTROLLED, COMPACTED, TESTED, ENGINEERED FILL. (REFER TO GEOTECHNICAL REPORT BY G.S.I. ENGINEERING, LLC; PROJECT NO. 1773122, DATED JANUARY 9, 2018 AND SPECIFICATIONS). ALL PERIMETER AND EXTERIOR FOOTINGS SHALL EXTEND AT LEAST 3'-0" BELOW FINAL ADJACENT GRADE. FLOOR SLAB SUBGRADE PREPARATION SHALL BE PREPARED AS OUTLINED IN THE GEOTECHNICAL REPORT UNDER THE CONVENTIONAL SLAB SUPPORT. IF ACTUAL SITE CONDITIONS DO NOT SATISFY THESE REQUIREMENTS COORDINATE ADJUSTMENTS WITH THE ARCHITECT/ENGINEER/SOILS ENGINEER/OWNERS REPRESENTATIVE.
4. FOOTINGS MAY BE POURED TO NEAT LINES OF EXCAVATIONS PROVIDING VERTICAL LINES OF EXCAVATIONS CAN BE MAINTAINED DURING CONCRETE PLACEMENT.
5. BEAMS, COLUMNS, WALLS AND FOOTINGS CENTER SHALL BE CENTERED UNDER SUPPORTING MEMBERS (TYPICAL UNLESS NOTED).
6. CHAMFER ALL EXPOSED CONCRETE EDGES 3/4" (VERIFY WITH ARCHITECT).
7. NO ALUMINUM SHALL BE IMBEDDED IN ANY CONCRETE.
8. ANCHOR BOLTS SIZES AND PLACEMENT LOCATIONS BY METAL BUILDING MANUFACTURER. ANCHOR BOLTS SHALL BE FURNISHED BY THE GENERAL CONTRACTOR AND SET WITH A TEMPLATE.
9. ALL STRUCTURAL REGULAR WEIGHT CAST-IN-PLACE CONCRETE SHALL HAVE A MINIMUM COMPRESSIVE STRENGTH OF 3000 PSI AT 28 DAYS (TYPICAL UNLESS NOTED). SLABS ON GRADE SHALL BE 3500 PSI AT 28 DAYS. SLAB ABOVE GRADE ON METAL DECK SHALL BE 4000 PSI. ALL CONCRETE SHALL BE IN CONFORMANCE WITH THE LATEST A.C.I. 301 STANDARDS PUBLICATION.
10. ALL REINFORCING BARS SHALL MEET ASTM A615 GRADE 60.
11. REINFORCING BARS QUANTITIES SHOWN ARE FOR ESTIMATING PURPOSES ONLY.
12. PROVIDE 1000 LBS. OF EXTRA BARS OF VARIOUS SIZES USED ON THIS PROJECT TO BE USED AS DIRECTED: INCLUDE LABOR FOR PLACEMENT.
13. CONCRETE PROTECTION FOR REINFORCEMENT SHALL BE 3/4" CLEAR FOR SLABS, 2" CLEAR FOR FORMED SURFACES AND 3" CLEAR FOR FOOTINGS (TYPICAL UNLESS NOTED).
14. REINFORCEMENT SHALL BE CONTINUOUS AND LAPPED 40 BAR DIAMETERS (2'-0" MIN.) EXCEPT AS NOTED AND PROVIDE CORNER BARS OF SAME SIZE AND SPACING.
15. REINFORCEMENT SHALL BE DETAILED IN ACCORDANCE WITH THE LATEST A.C.I. DETAILING MANUAL BY A QUALIFIED AND EXPERIENCED PERSON AND FIRM. PLACE AND SUPPORT REINFORCEMENT WITH ACCESSORIES: MAXIMUM SPACING - 48" CENTERS. USE 3" SBP SUPPORTS ON ALL FOOTINGS.
16. CONTRACTOR SHALL VERIFY THAT ALL REINFORCEMENTS, INSERTS, SLEEVES AND EMBEDDED ITEMS ARE PROPERLY LOCATED AND RIGIDLY SECURED PRIOR TO CONCRETE PLACEMENT.
17. ALL MESH SHALL MEET ASTM A-185: LAP A MINIMUM OF 8" OR ONE FULL MESH, WHICHEVER IS GREATER.
18. SLABS ON GRADE SHALL BE 4" THICK WITH 6 X 6 - W1.4 X W1.4 W.W.F. AT THE CENTER OF SLAB THICKNESS. FURNISH IN SHEETS, UNLESS NOTED.
19. ALL ANCHORS WHERE NOTED SHALL BE MANUFACTURED BY HILTI, INC. AND INSTALLED PER HILTI SPECIFICATIONS. HILTI HY200 ANCHORS SHALL USE HILTI "SAFE SET" INSTALLATION METHODS. SUBSTITUTIONS SHALL BE SUBMITTED FOR REVIEW AND APPROVAL WITH APPROPRIATE ICC-ES EVALUATION REPORTS.
20. HOLLOW LOAD BEARING CONCRETE MASONRY UNITS SHALL MEET ASTM C90, GRADE N SPECIFICATIONS (F'M = 2000 PSI) UNLESS NOTED: MORTAR TYPE S. REFER TO THE REINFORCED CONCRETE MASONRY NOTES.
21. PROVIDE STANDARD LADDER TYPE HORIZONTAL MASONRY REINFORCEMENT AT EVERY OTHER COURSE AT ALL MASONRY WALLS.

22. STRUCTURAL STEEL SHALL MEET ASTM A992 (Fy = 50 KSI MIN.), STEEL ANGLES, CHANNELS, AND PLATES SHALL MEET ASTM A36 (Fy = 36 KSI MIN.), STRUCTURAL TUBING (HSS) - ASTM A500 GRADE B (Fy=46KSI), STRUCTURAL PIPE - ASTM A53, GRADE B (Fy=35 KSI), AND ANCHOR BOLTS - ASTM F-1554, GRADE 36, TYPICAL UNLESS NOTED.
23. STRUCTURAL STEEL COLUMN ANCHOR BOLTS SHALL BE SET WITH A TEMPLATE.
24. STRUCTURAL STEEL SHALL BE NEW AND MEET THE FOURTEENTH EDITION A.I.S.C. "SPECIFICATIONS FOR STRUCTURAL STEEL BUILDINGS AND BRIDGES", AND THE "CODE OF STANDARD PRACTICES FOR STEEL BUILDINGS AND BRIDGES", EXCLUDING SECTION 4.4.1.B.
25. ANY SHOP AND FIELD SPLICES WITHIN THE STEEL MEMBERS DESIGN LENGTH MUST BE MADE WITH A FULL PENETRATION WELD AND PROVED ADEQUATE BY NON-DESTRUCTIVE TESTING AT THE CONTRACTORS EXPENSE.
26. WELDING SHALL CONFORM TO THE CURRENT A.W.S. "STRUCTURAL WELDING CODE - STEEL" AND "STRUCTURAL WELDING CODE - SHEET STEEL" SPECIFICATIONS.
27. FLOOR FORM DECK WHERE SHOWN SHALL BE 9/16 INCH DEEP VULCRAFT 0.6C, 24 GAUGE, GALVANIZED OR REVIEWED EQUIVALENT. ERECT PER MANUFACTURERS REQUIREMENT AND SPECIFICATIONS.
28. STEEL DECK MANUFACTURER SHALL BE A MEMBER OF THE STEEL DECK INSTITUTE (S.D.I.).
29. AT FLOOR EDGES AND ALL OPENING FRAMES IN FLOORS PROVIDE (1) 4 X 4 X 18 GA. BENT PLATE: EXTEND TO SUPPORTS, BLOCK VERTICAL LEG IF REQUIRED AND FIELD WELD, TYPICAL UNLESS NOTED.
30. LIGHT GAGE METAL COMPONENTS SHALL BE FORMED FROM GALVANIZED STEEL SHEET WITH A MINIMUM YIELD STRESS OF 33 KSI UNLESS NOTED. DESIGN SHALL CONFORM TO THE APPLICABLE PROVISIONS OF THE AISI "SPECIFICATIONS FOR THE DESIGN OF COLD FORMED STEEL STRUCTURAL MEMBERS."
31. LIGHT GAGE METAL STUDS BRIDGING, AND BRACING SHALL BE FABRICATED, ERECTED AND INSTALLED PER SPECIFICATIONS AND RECOMMENDATIONS OF THE METAL LATHE/STEEL FRAMING ASSOCIATION AND THE LIGHT GAGE STEEL MANUFACTURER. REFER TO THE LIGHT GAGE STRUCTURAL STEEL FRAMING NOTES.
32. 41. LIGHT GAGE STEEL CONNECTORS AS NOTED ON THE PLANS SHALL BE "STRONG TIE" CONNECTORS BY THE SIMPSON CO. OR REVIEWED EQUIVALENT.
33. HOLES, PIPES, SLEEVES, ETC. NOT SHOWN ON THE DRAWING MUST BE REVIEWED BY THE ENGINEER BEFORE PLACEMENT THROUGH STRUCTURAL MEMBERS.
34. IF MECHANICAL AND ELECTRICAL EQUIPMENT SIZES, WEIGHTS, OR LOCATIONS DO NOT COINCIDE WITH EQUIPMENT SHOWN ON THE PLANS, COORDINATE ADJUSTMENTS WITH THE ENGINEER.
35. NO AREA OF THE STRUCTURE SHALL BE LOADED WITH CONSTRUCTION MATERIALS OR EQUIPMENT THAT EXCEEDS FINAL DESIGN CRITERIA.
36. THE STRUCTURE IS DESIGNED TO BE SELF-SUPPORTING AND STABLE AFTER THE BUILDING IS FULLY COMPLETED. IT IS SOLELY THE CONTRACTORS RESPONSIBILITY TO EXECUTE AND DETERMINE FINAL ERECTION PROCEDURES, SEQUENCING AND TO INSURE THE SAFETY OF THE BUILDING AND ITS COMPONENT PARTS DURING ERECTION. THIS INCLUDES WHATEVER SHORING, SHEETING, TEMPORARY BRACING, GUYING OR TIE DOWNS WHICH MIGHT BE NECESSARY.
37. FABRICATORS AND SUPPLIERS SHALL CLEARLY NOTE CHANGES MADE IN SHOP DRAWINGS WHICH DIFFER FROM CONSTRUCTION DOCUMENTS.
38. SURFACE WATER SHALL NOT BE ALLOWED TO STAND ADJACENT TO OR DRAIN TOWARDS THE FOUNDATION UNDER ANY CIRCUMSTANCES. PAVEMENTS OR GRADED SOIL AT THE PERIMETER OF THE BUILDING, EXCEPT AS REQUIRED AT EXITS OR AS NOTED, SHALL BE SLOPED AWAY AT 5% OR 6 INCHES MINIMUM FOR THE FIRST 10 FEET.
39. THE STRUCTURE IS NOT DESIGNED FOR FUTURE EXPANSION.
40. IF DISCREPANCIES EXIST BETWEEN STRUCTURAL PLANS, OTHER PLANS, OR SPECIFICATIONS, THE CONTRACTOR OR SUB-CONTRACTOR SHALL PROVIDE A WRITTEN REQUEST FOR CLARIFICATION FROM THE OWNERS REPRESENTATIVE AND/OR ENGINEER BEFORE PROCEEDING WITH THE WORK.
41. CONTRACTOR TO VERIFY ALL DIMENSIONS, ELEVATIONS AND EXISTING CONDITIONS AND REPORT ANY DISCREPANCIES TO THE OWNERS REPRESENTATIVE IMMEDIATELY.

**REINFORCED CONCRETE MASONRY NOTES:**

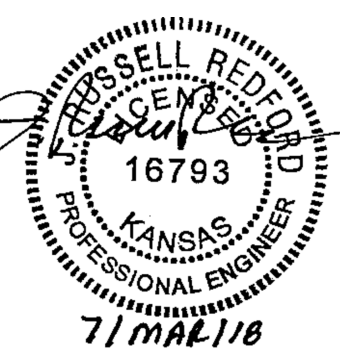
1. ALL CONCRETE HOLLOW MASONRY (CMU) SHALL BE MODULAR TWO HOLE (NOMINAL 8 HIGH X 16 LONG TYPICALLY) UNITS, LIGHT-WEIGHT UNLESS NOTED, PLACED IN RUNNING BOND PATTERN. PRO-BLOCK IS STRUCTURALLY ACCEPTABLE.
2. USE LOW-LIFT GROUTING PROCEDURES AND PROVIDE GROUT CONFORMING TO ASTM 476 WITH MAXIMUM AGGREGATE SIZE OF 3/8" AND A MINIMUM COMPRESSIVE STRENGTH OF 2500 PSI AT 28 DAYS.
3. MASONRY WALLS SHALL BE REINFORCED WITH NOT LESS THAN 1 - #5 VERTICALS AT 48 INCHES O.C. MAXIMUM, AT CORNERS AND AT EACH SIDE OF OPENINGS, AND EACH SIDE OF CONTROL JOINTS. (TYPICAL UNLESS NOTED).
4. VERTICAL REINFORCEMENT SHALL BE LAPPED 32 INCHES FOR #5 BARS, OR USE AN APPROVED MECHANICAL COUPLER.
5. VERTICAL REINFORCEMENT AT JAMBS OF OPENINGS SHALL EXTEND THE FULL HEIGHT OF WALL, UNLESS NOTED.
6. PROVIDE DOWELS FROM CONCRETE THAT ARE THE SAME SIZE AND SPACING AS MASONRY WALL VERTICALS, UNLESS NOTED.
7. HORIZONTAL REINFORCEMENT IN GROUTED CORE FILL BOND BEAMS SHALL BE CONTINUOUS AND LAPPED 30 BAR DIAMETERS (2'-0" MIN.). PROVIDE CORNER BARS OF SAME SIZE.
8. ALL REINFORCING SHALL BE PROPERLY POSITIONED WITH CENTERING AND CAGING DEVICES WITH A MINIMUM GROUT COVERAGE OF 3/4".

**LIGHT GAGE STRUCTURAL STEEL FRAMING NOTES:**

1. ALL DESIGN SHALL BE IN CONFORMANCE WITH AISI "SPECIFICATIONS FOR THE DESIGN OF COLD FORMED STEEL STRUCTURAL MEMBERS". WIND OR LATERAL LOAD DEFLECTION SHALL BE LIMITED TO H/120.
2. ALL EXTERIOR OR LOAD BEARING INTERIOR STUDS SHALL BE 6" CSJ AS MANUFACTURED BY DIETRICH INDUSTRIES, INC. OR REVIEWED EQUIVALENT AT 16 INCHES ON CENTER UNLESS NOTED: REFER TO PLANS.
3. MINIMUM GAGE OF STUDS SHALL BE 18 GAGE, UNLESS NOTED.
4. TRACKS SHALL BE SECURELY ANCHORED TO THE SUPPORTING STRUCTURE TO PROPERLY TRANSFER IMPOSED LOADS, MINIMUM GAGE OF TRACKS SHALL BE 18 GAGE.
5. PROVIDE WALL STUD BRIDGING MECHANICALLY ATTACHED TO EACH STUD AS RECOMMENDED BY THE MFGR: MAXIMUM SPACING SHALL BE 4'-0" CENTERS.
6. ALL FRAMING COMPONENTS SHALL BE CUT SQUARELY FOR ATTACHMENTS TO PERPENDICULAR MEMBERS. MEMBERS SHALL BE HELD POSITIVELY IN PLACE UNTIL PROPERLY FASTENED.
7. NOTCHES OR SPLICES IN ANY STRUCTURAL STUDS WILL NOT BE PERMITTED.
8. DO NOT NOTCH, DRILL OR CUT ANY HOLES IN LOAD BEARING STUDS FOR ELECTRICAL OR MECHANICAL EQUIPMENT: USE EXISTING FABRICATED HOLES.

**SPECIAL STRUCTURAL INSPECTION NOTES:**

1. SPECIAL STRUCTURAL INSPECTIONS SHALL BE PROVIDED BY THE OWNER OR OWNER'S REPRESENTATIVE MEETING THE REQUIREMENTS OF CHAPTER 17 OF THE CODE.
2. THE SPECIAL INSPECTOR SHALL OBSERVE THE WORK ASSIGNED FOR CONFORMANCE TO APPROVED DESIGN DRAWINGS, SPECIFICATIONS AND CODE PROVISIONS.
3. THE SPECIAL INSPECTOR SHALL BE APPROVED BY THE OWNER, BUILDING OFFICIAL, ARCHITECT AND LICENSED DESIGN ENGINEER AND FURNISH THE CODE REQUIRED REPORTS IN A TIMELY MANNER TO THE BUILDING OFFICIAL, ARCHITECT AND ENGINEER.
4. SPECIAL INSPECTIONS AS REQUIRED BY CODE:
  - A. CONCRETE: SECTION 1705.3 AND TABLE 1705.3 (PERIODIC)
  - B. STRUCTURAL STEEL: AISC 360 - CHAPTER N, SECTION 1705.2 AND TABLE 1705.2.2 (PERIODIC)
  - C. MASONRY: SECTION 1705.4
  - D. SOILS: SECTION 1705.6 AND TABLE 1705.6 (PERIODIC)



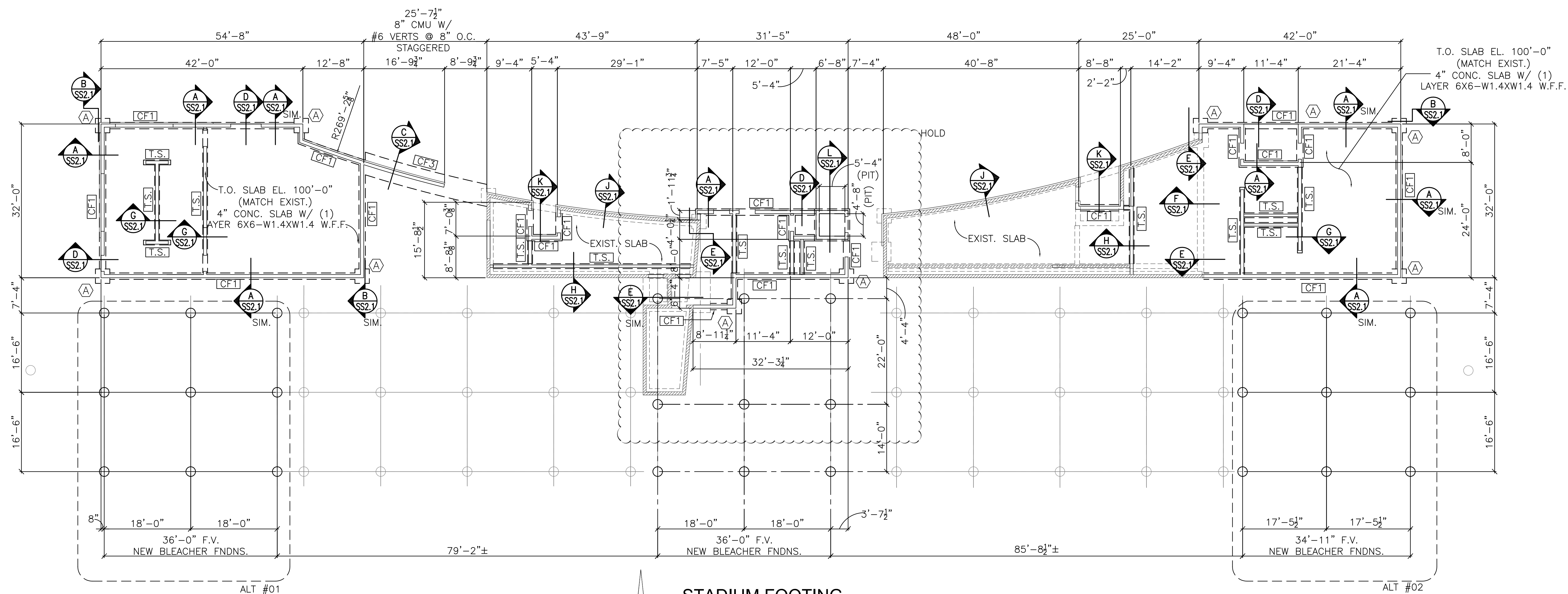
10218  
 MKEC Engineering  
 All Rights Reserved  
 www.mkec.com  
 These drawings and their contents, including but not limited to, all concepts, designs, or data are the exclusive property of MKEC Engineering (MKEC), and may not be used or reproduced in any way without the express consent of MKEC.

**OVERALL LOCATION PLAN**

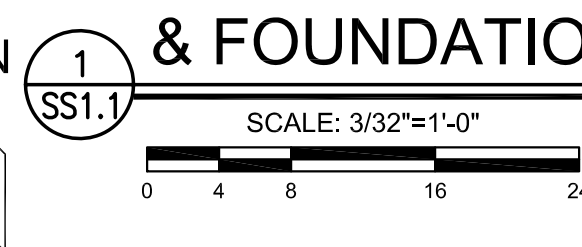
|             |            |         |
|-------------|------------|---------|
| PROJECT NO. | 1701010567 |         |
| DATE        | 03-07-18   |         |
| SCALE       | AS NOTED   |         |
| DESIGNED    | DRAWN      | CHECKED |
| RH          | RDH        | RH      |

|     |                         |          |
|-----|-------------------------|----------|
| 0   | ISSUED FOR CONSTRUCTION | 03-07-18 |
| NO. | REVISION                | DATE     |

SHEET NO.  
 SS1.0



**STADIUM FOOTING & FOUNDATION PLAN**



**CONT. FOOTING SCHEDULE**

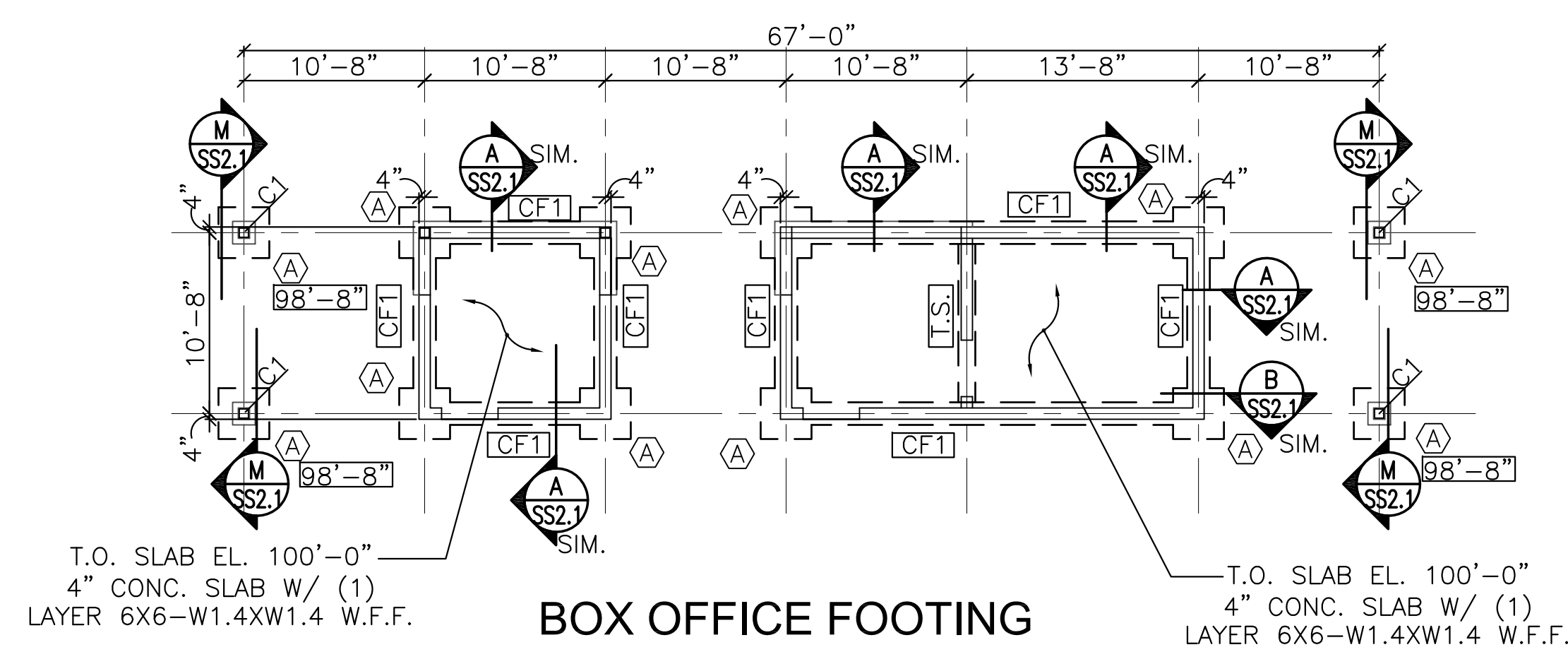
| MARK | SIZE                        | REINF.                   |
|------|-----------------------------|--------------------------|
| CF1  | 1'-4" WIDE X 3'-4" DP. MIN. | (2) #5 CONT. TOP & BOTT. |
| CF3  | 4'-6" WIDE X 3'-4" DP. MIN. | (5) #4 CONT. TOP & BOTT. |
| T.S. | 1'-0" WIDE X 0'-8" DP. MIN. | (2) #4 CONT. BOTT.       |

**PAD FOOTING SCHEDULE**

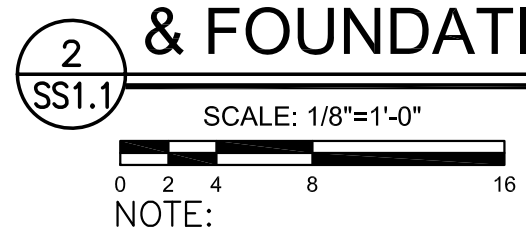
| MARK | SIZE                       | REINF.               |
|------|----------------------------|----------------------|
| A    | 3'-0" SQ. X 3'-4" DP. MIN. | (4) #4 EA. WAY BOTT. |

**STEEL COLUMN SCHEDULE**

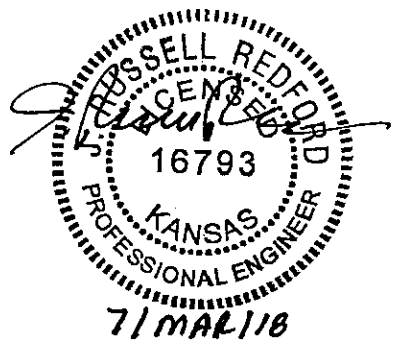
| MARK | SIZE        | BASE PL. SIZE | ANCHOR BOLTS  | ADHESIVE ANCHOR OPTION  | DIAGRAM |
|------|-------------|---------------|---|---|---------|
| C1   | HSS 3x3x1/4 | 12"x3"x1'-0"  | (4) 3/8" DIA X 1'-5" TACK WELD BOTT. NUT TO TOP OF FTG. | (4) 3/8" DIA X 1'-3" DRILL & ANCHOR 10" INTO CONC. w/ HILTI HY200 |         |



**BOX OFFICE FOOTING & FOUNDATION PLAN**



- NOTE:
1. T.O. FTG. EL. 99'-9"
  2. XXX'-XX" = T.O. FTG. ELEVATION



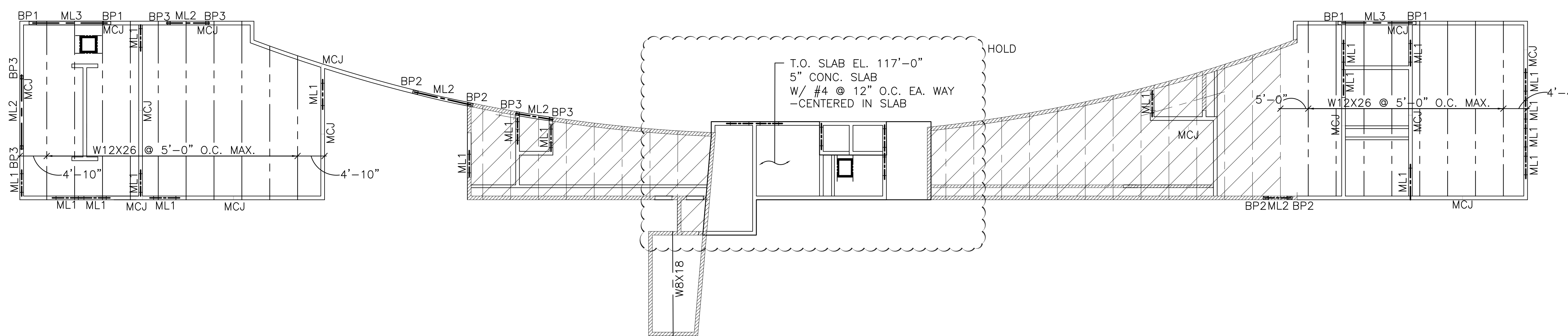
©2018 MKEC Engineering All Rights Reserved www.mkec.com  
These drawings and their contents, including, but not limited to, all concepts, designs, & data are the exclusive property of MKEC Engineering (MKEC), and may not be used or reproduced in any way without the express consent of MKEC.

**FOOTING & FOUNDATION PLAN**

|             |            |         |
|-------------|------------|---------|
| PROJECT NO. | 1701010567 |         |
| DATE        | 03-07-18   |         |
| SCALE       | AS NOTED   |         |
| DESIGNED    | DRAWN      | CHECKED |
| RH          | RDH        | RH      |

| 0                  | ISSUED FOR CONSTRUCTION | 03-07-18 |
|--------------------|-------------------------|----------|
| NO.                | REVISION                | DATE     |
| SHEET NO.<br>SS1.1 |                         |          |

PROJECTS\2017\1701010567\_COM\_STRYKER\_170652\_CAD\SET\508\_STRYKER\STRYKER\_170652\_SS1.1.DWG

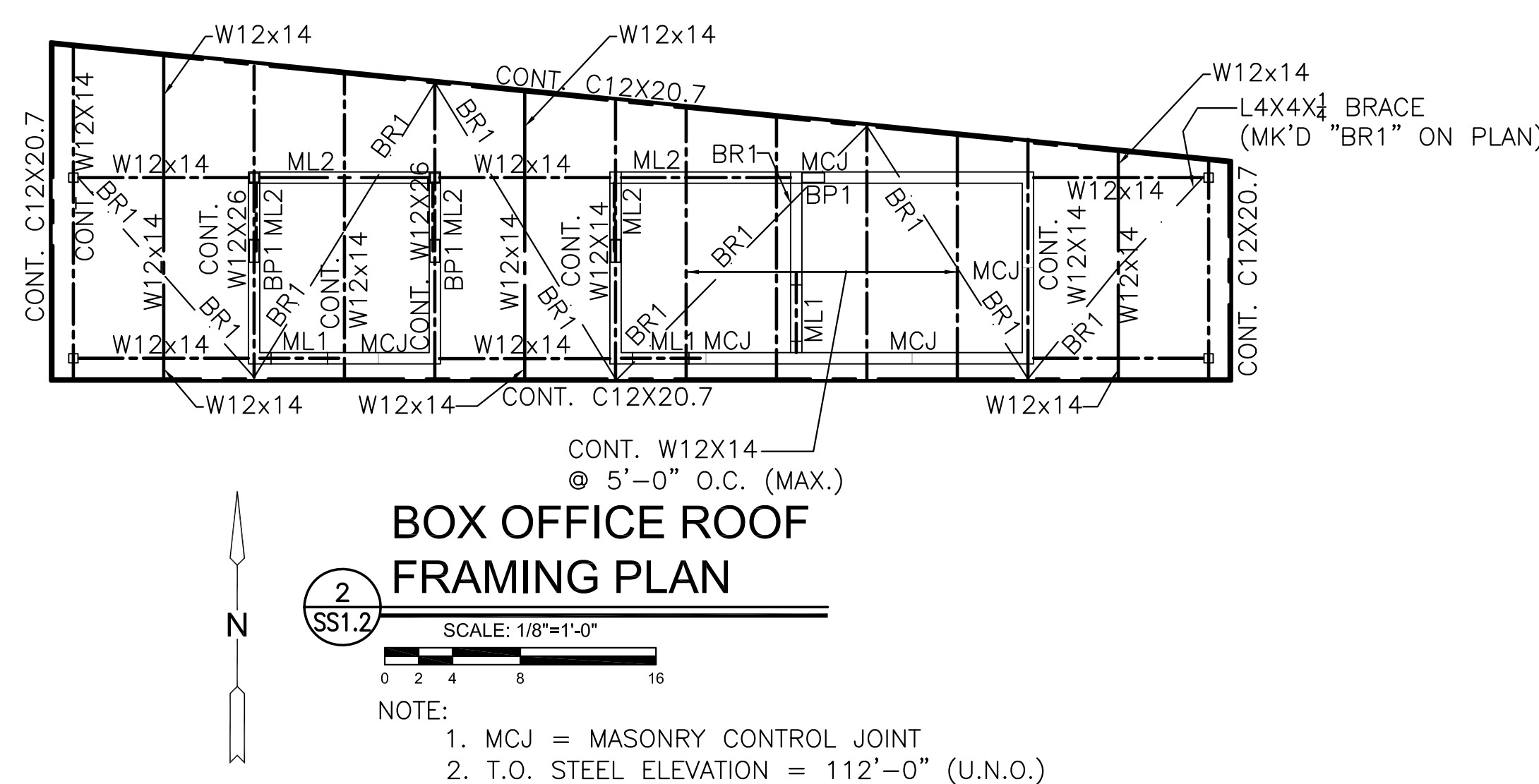


**STADIUM LOW ROOF FRAMING PLAN**  
 SCALE: 3/32"=1'-0"  
 NOTE: 1. MCJ = MASONRY CONTROL JOINT

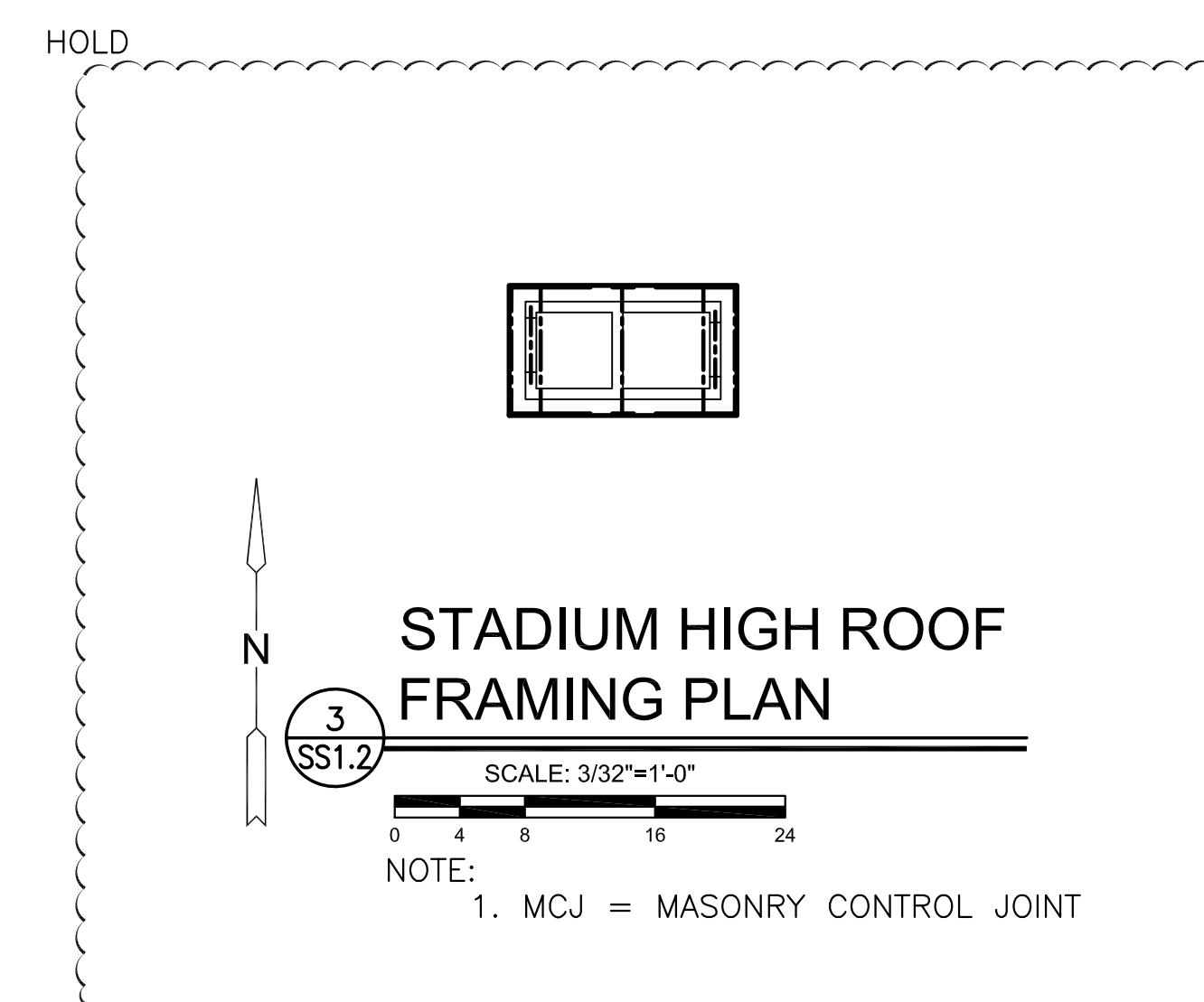
| MARK | SIZE                  |           | REINFORCING |          |               | MIN. BRG. EA. END (U.N.O.) | DETAIL                     |
|------|-----------------------|-----------|-------------|----------|---------------|----------------------------|----------------------------|
|      | W (WIDTH)             | D (DEPTH) | BOTT. BARS  | TOP BARS | TIES          |                            |                            |
| ML1  | 8                     | 16"       | (2) #5      | (1) #5   | #3 @ 16" O.C. | 8"                         | 1/SS3.1                    |
| ML2  | W8X24 (STEEL LINTEL)  |           |             |          |               | 8"                         | 2/SS3.1, 3/SS3.1 & 7/SS3.1 |
| ML3  | W16X36 (STEEL LINTEL) |           |             |          |               | 14"                        | 2/SS3.1 SIM & 3/SS3.1      |

NOTE: ALL MASONRY DIMENSIONS ARE NOMINAL MEASUREMENTS. EXAMPLE: 8" CMU = 7 7/8" WIDE.

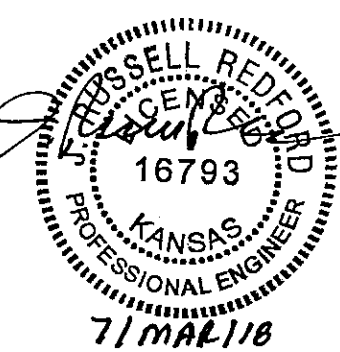
| MARK | SIZE          | ANCHORS            | DIAGRAM |
|------|---------------|--------------------|---------|
| BP1  | 7" x 8" x 16" | (2) 3/8" x 4" H.S. |         |
| BP2  | 7" x 8" x 11" | (1) 3/8" x 4" H.S. |         |
| BP3  | 7" x 8" x 7"  | (1) 3/8" x 4" H.S. |         |



**BOX OFFICE ROOF FRAMING PLAN**  
 SCALE: 1/8"=1'-0"  
 NOTE: 1. MCJ = MASONRY CONTROL JOINT  
 2. T.O. STEEL ELEVATION = 112'-0" (U.N.O.)



**STADIUM HIGH ROOF FRAMING PLAN**  
 SCALE: 3/32"=1'-0"  
 NOTE: 1. MCJ = MASONRY CONTROL JOINT



16783  
 MKEC Engineering  
 All Rights Reserved  
 www.mkec.com  
 These drawings and their contents, including, but not limited to, all concepts, designs, & data are the exclusive property of MKEC Engineering (MKEC), and may not be used or reproduced in any way without the express consent of MKEC.

**LOW ROOF FRAMING PLAN**

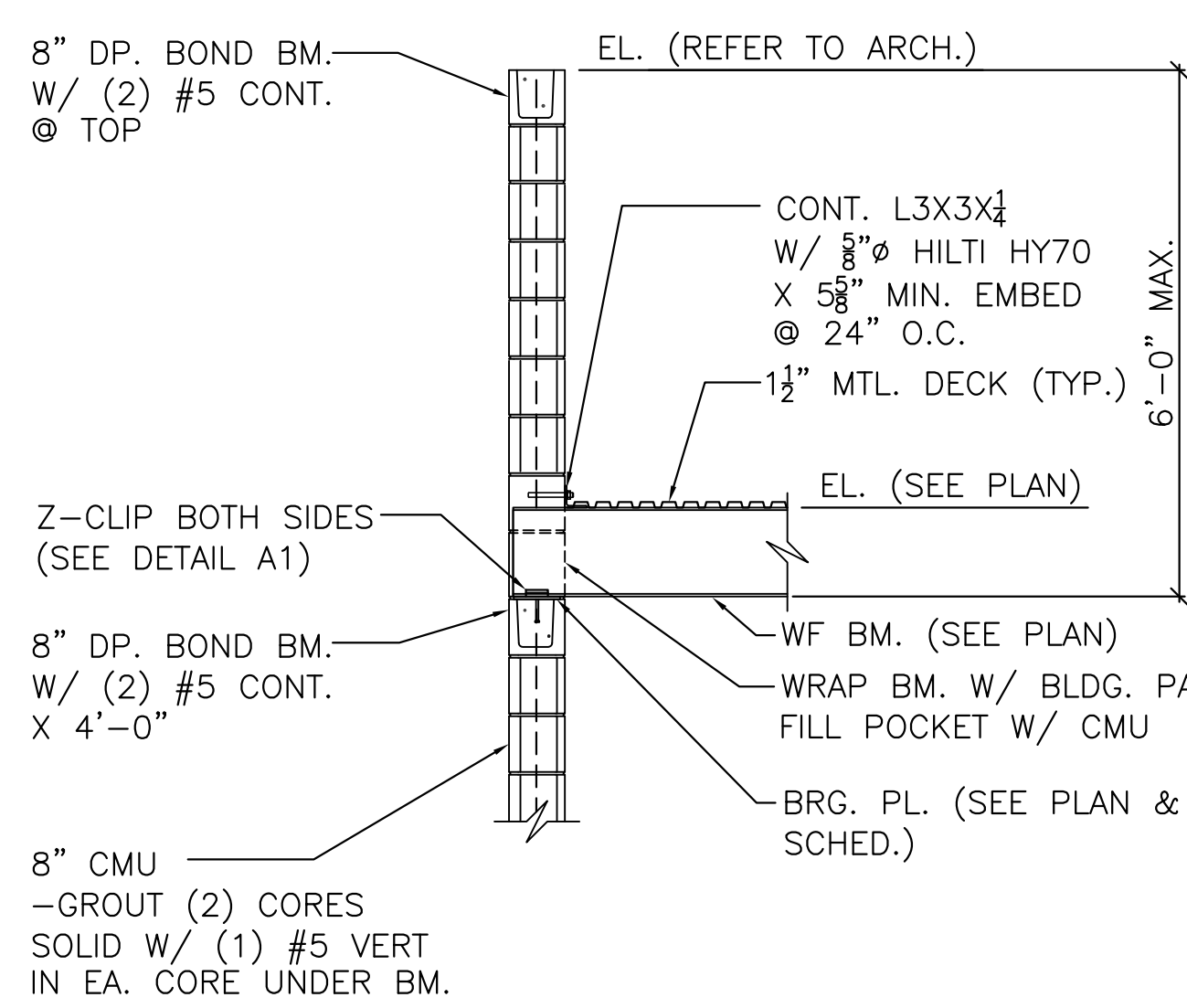
|             |            |         |
|-------------|------------|---------|
| PROJECT NO. | 1701010567 |         |
| DATE        | 03-07-18   |         |
| SCALE       | AS NOTED   |         |
| DESIGNED    | DRAWN      | CHECKED |
| RH          | RDH        | RH      |

0 ISSUED FOR CONSTRUCTION 03-07-18

| NO. | REVISION | DATE |
|-----|----------|------|
|-----|----------|------|

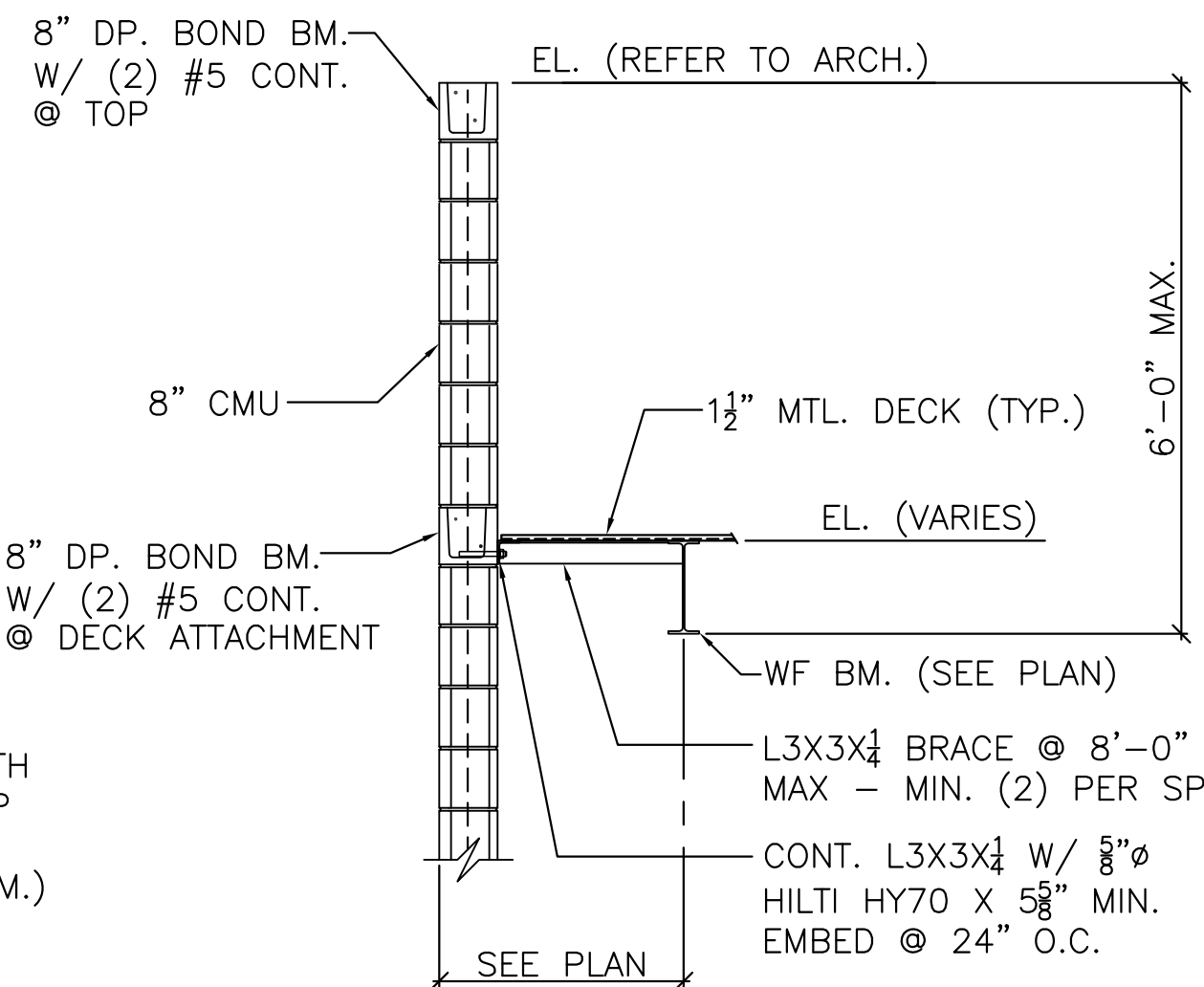
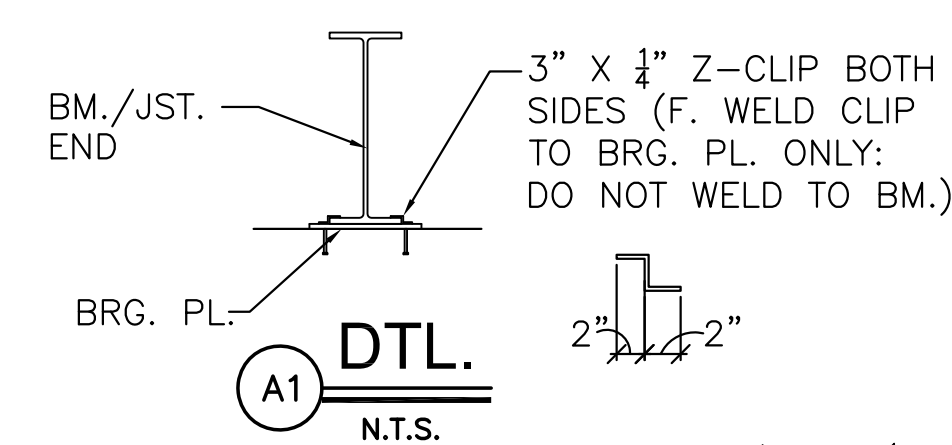
SHEET NO.  
 SS1.2



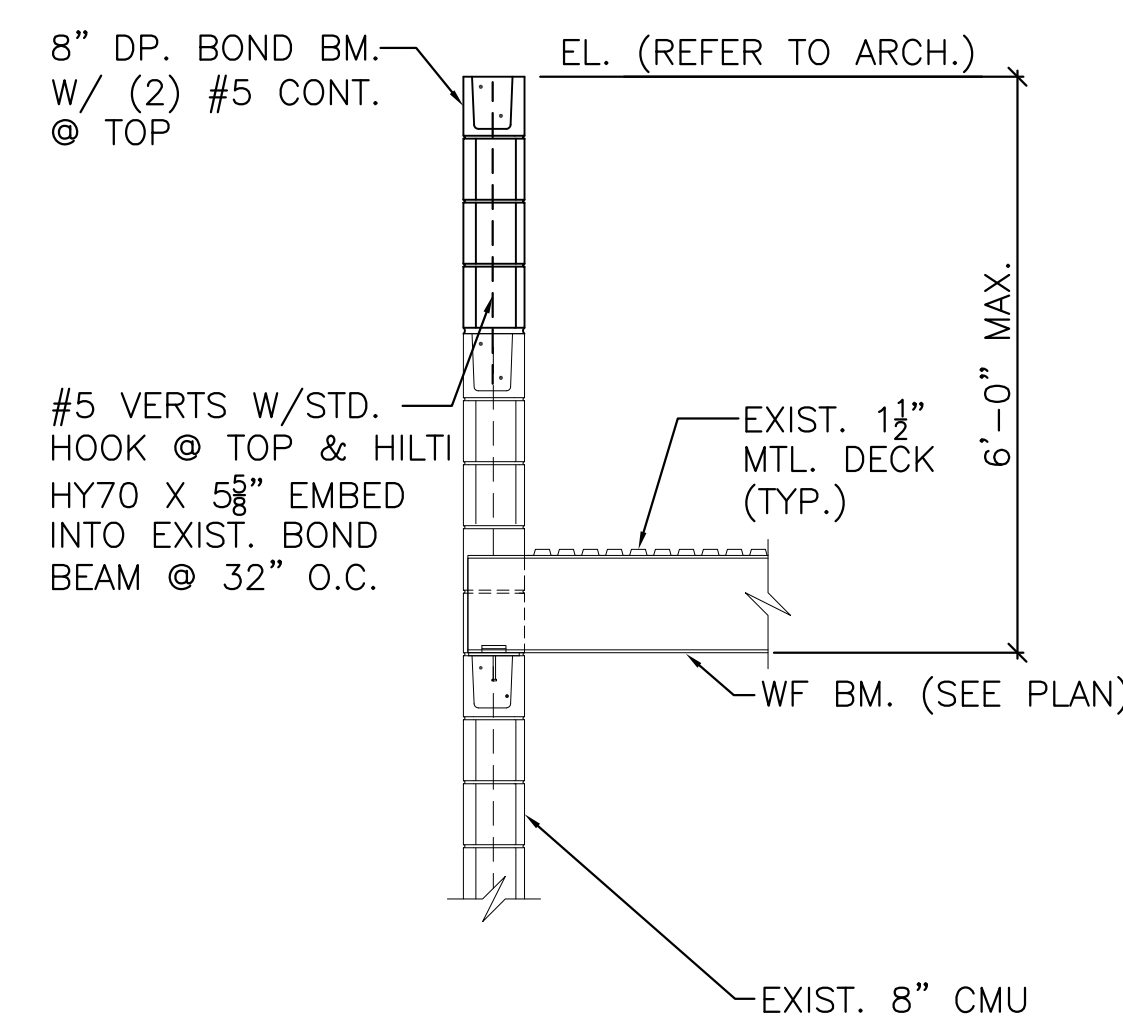


**SECTION @ ROOF**  
SCALE: 1/2"=1'-0"  
0 1 2 4

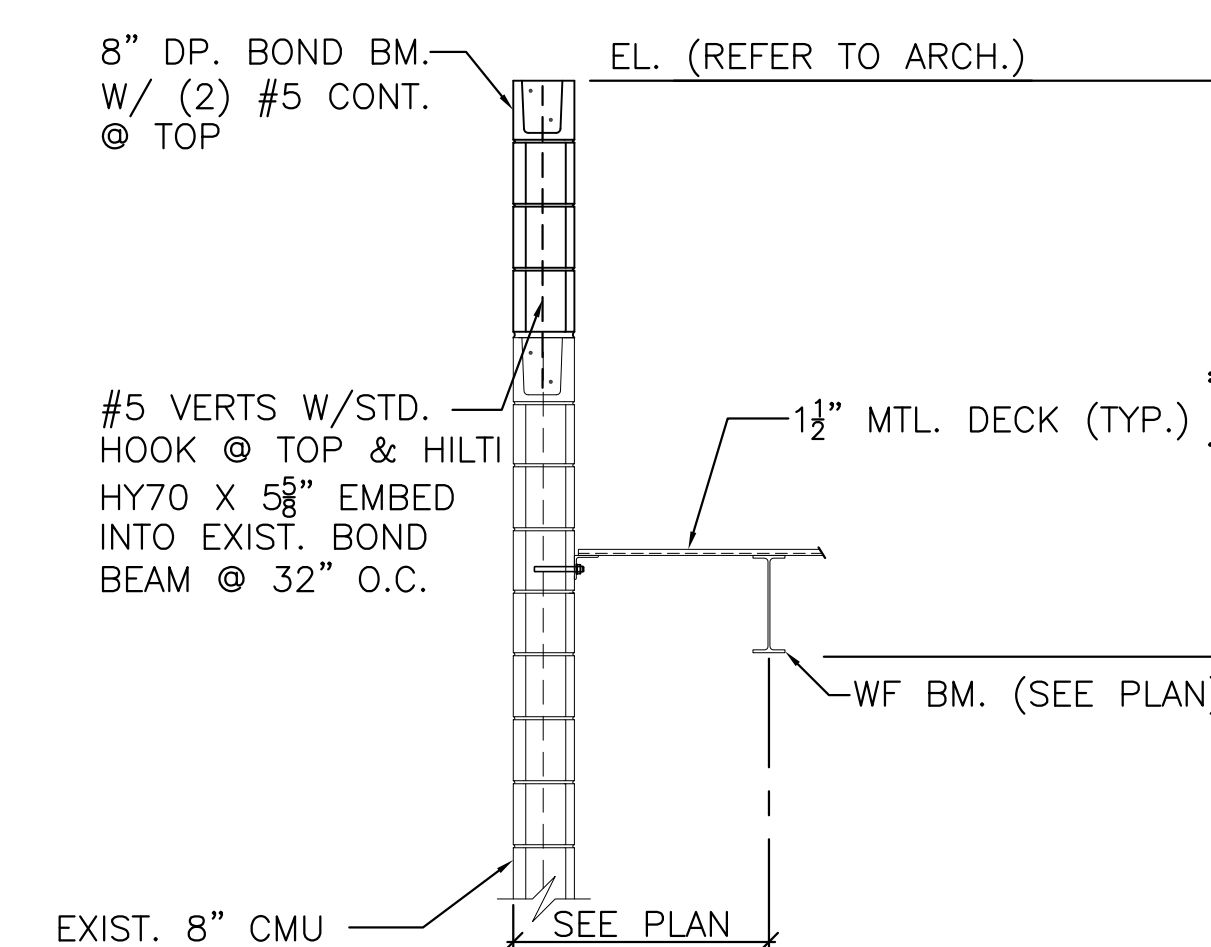
NOTE:  
AT MASONRY CONTROL JOINTS BOND BM. REINF. AT JST. BRG. & DECK BRG. SHALL BE CONT. WITH VERTICAL JOINT AT BOTH SIDES RAKED 2" DEEP & SEALED  
NOTE:  
8" DP. BOND BEAM W/ (2) #5 CONT. SHALL BE SPACED AT 8'-0" O.C. MAX. VERTICALLY IN ALL WALLS.



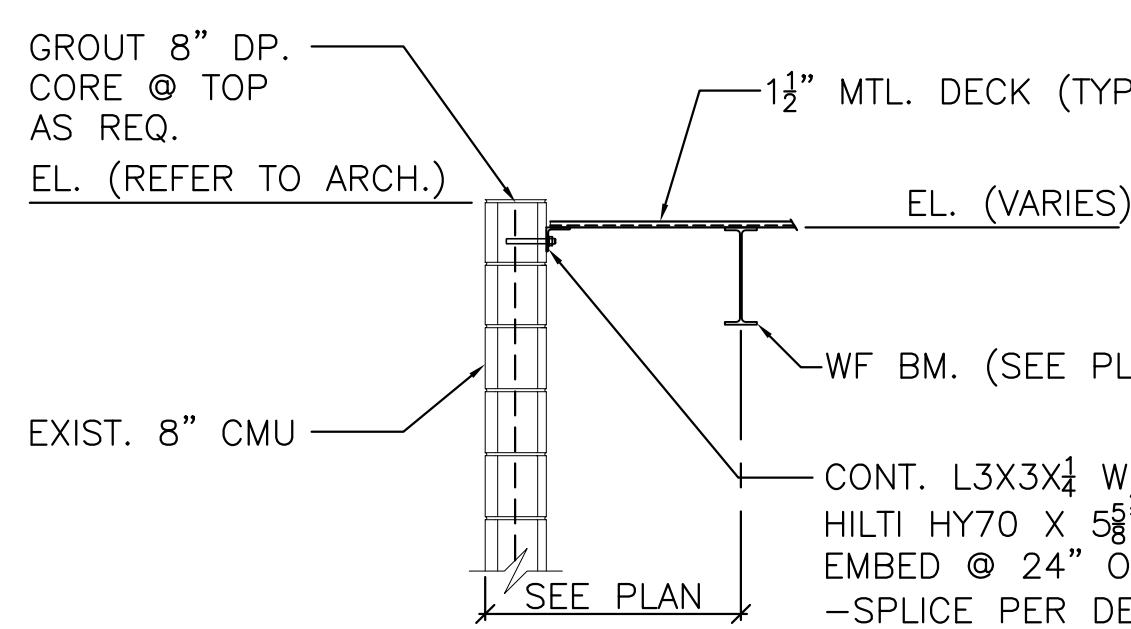
**SECTION @ ROOF**  
SCALE: 1/2"=1'-0"  
0 1 2 4



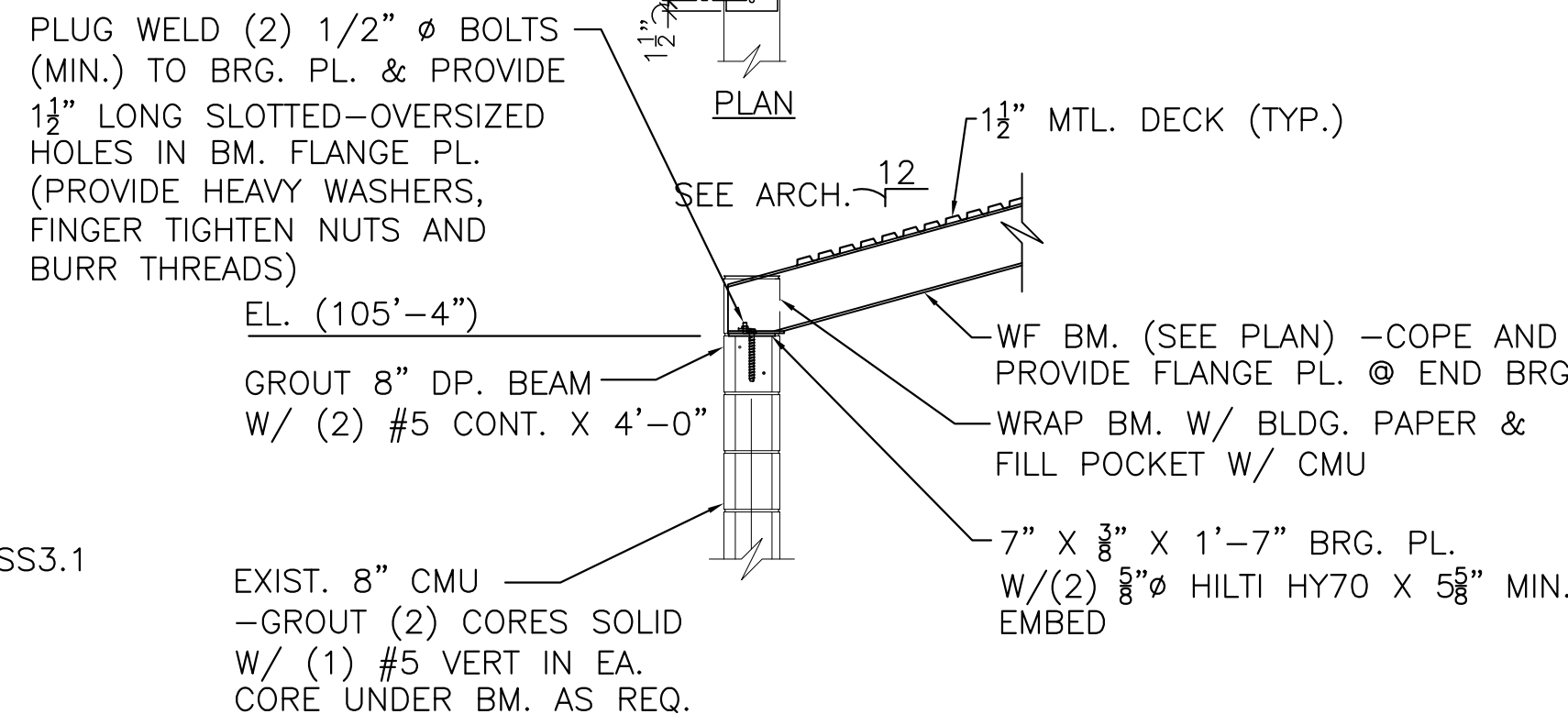
**SECTION @ ROOF**  
SCALE: 1/2"=1'-0"  
0 1 2 4



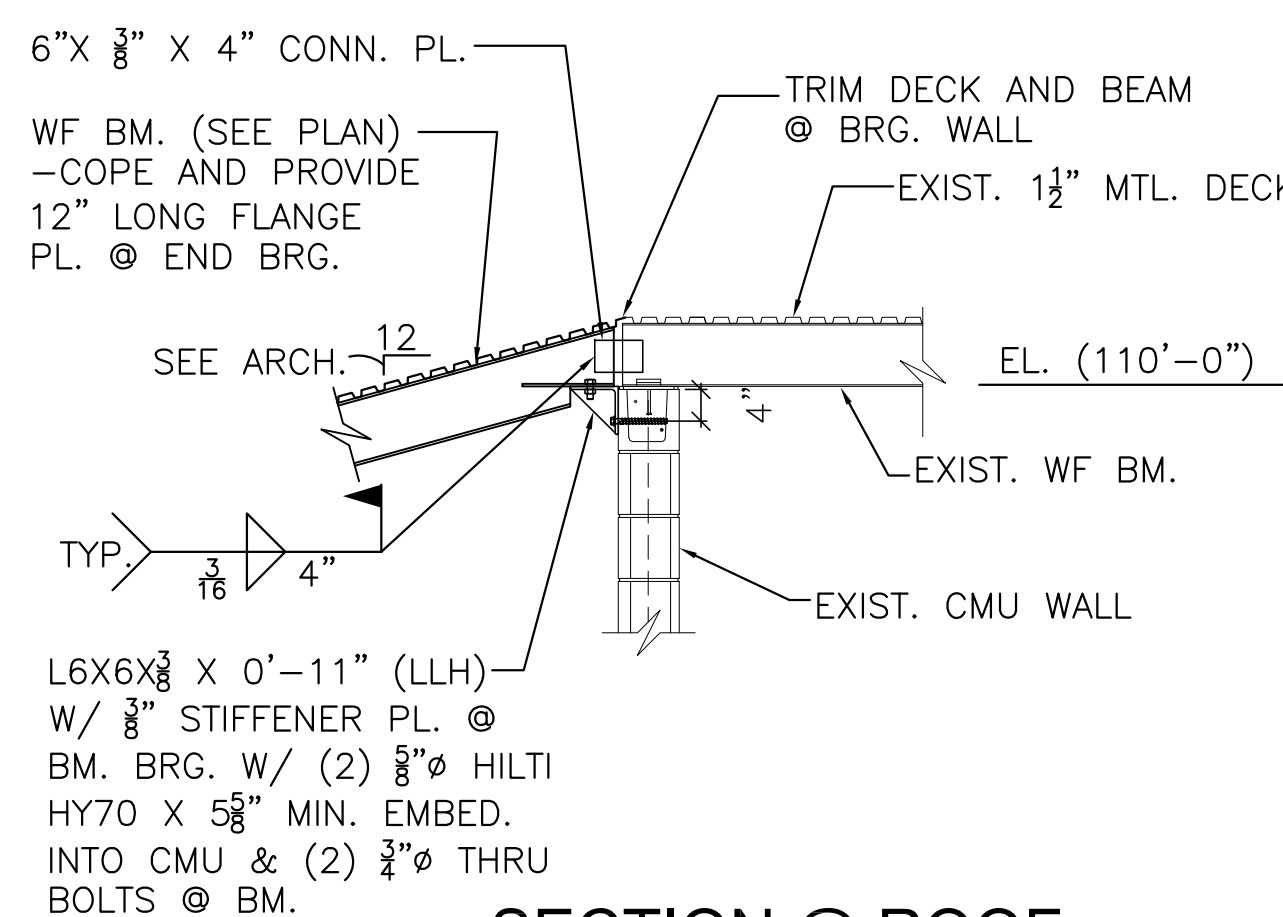
**SECTION @ ROOF**  
SCALE: 1/2"=1'-0"  
0 1 2 4



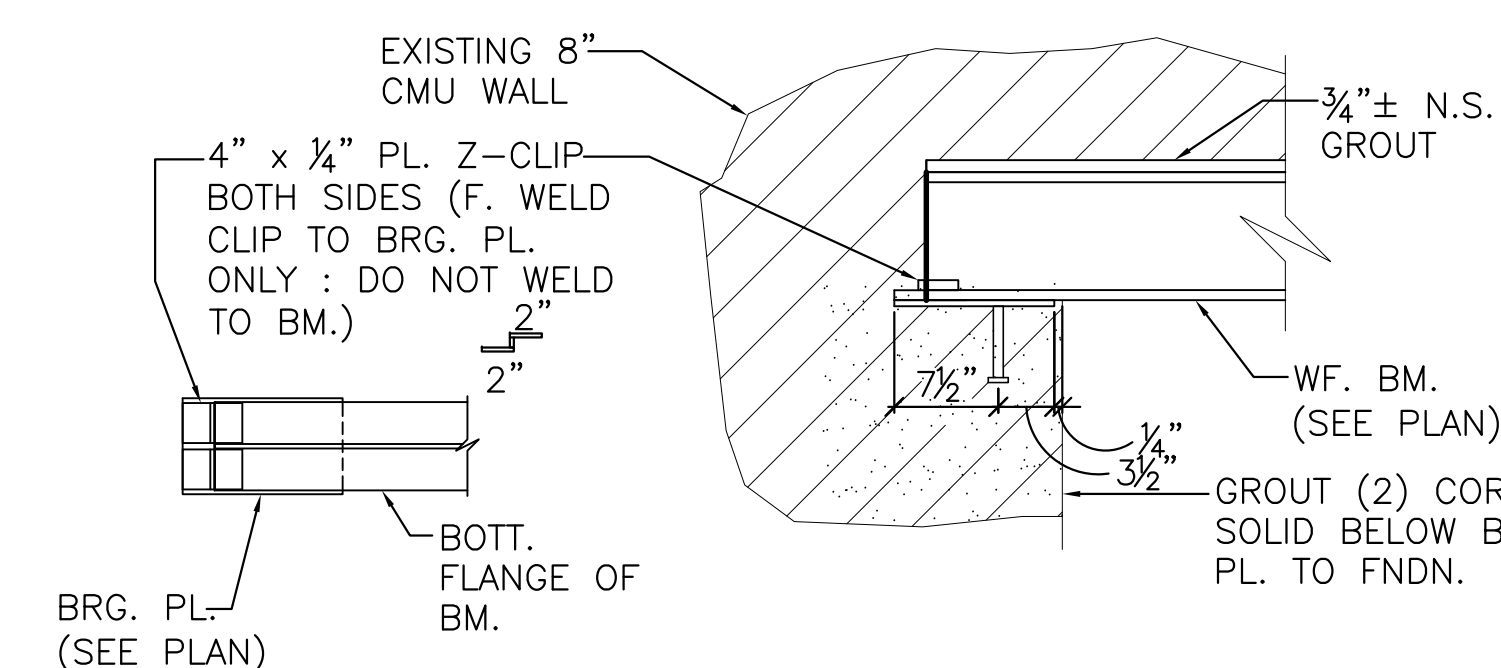
**SECTION @ ROOF**  
SCALE: 1/2"=1'-0"  
0 1 2 4



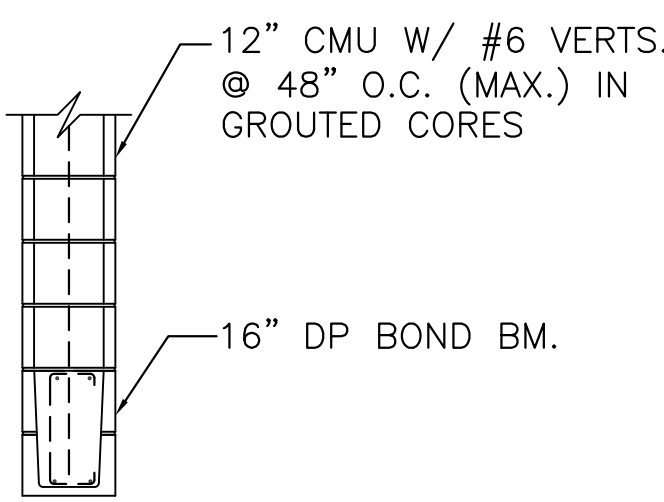
**SECTION @ ROOF**  
SCALE: 1/2"=1'-0"  
0 1 2 4



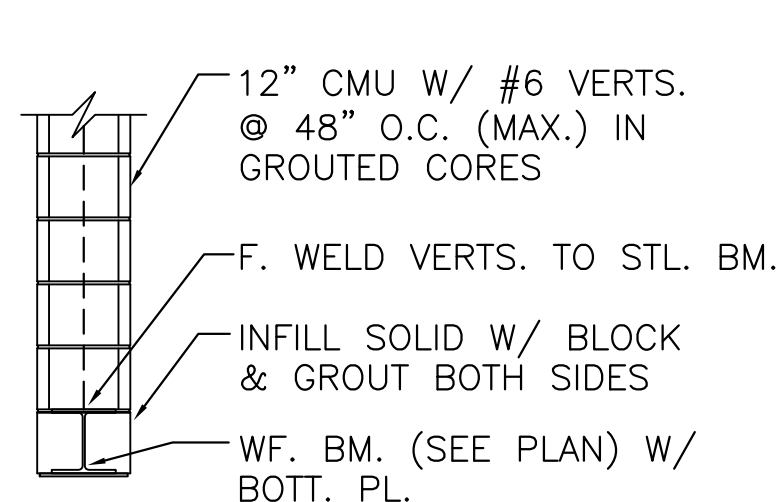
**SECTION @ ROOF**  
SCALE: 1/2"=1'-0"  
0 1 2 4



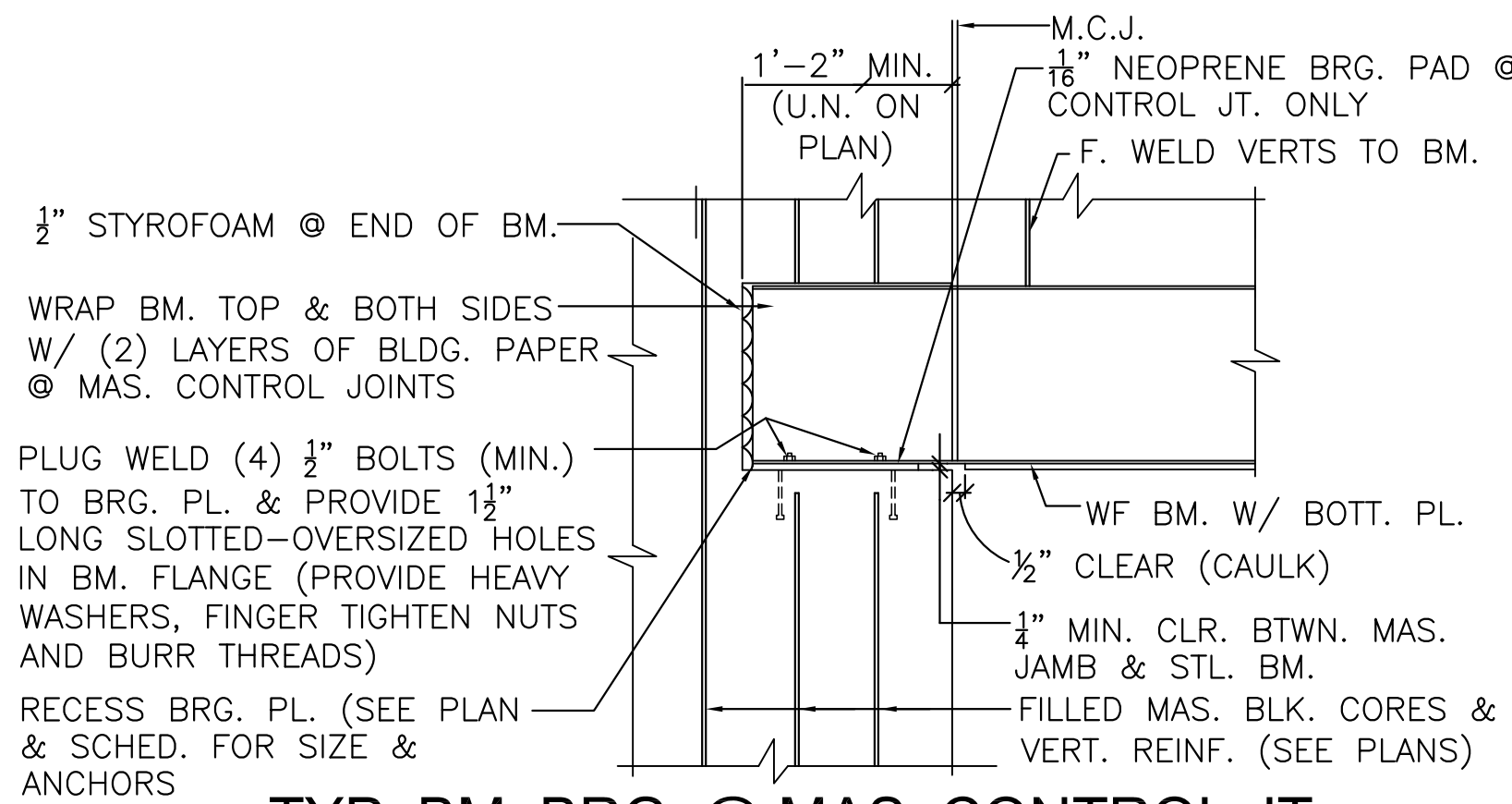
**SECTION @ EXIST. WALL**  
SCALE: 1"=1'-0"  
0 1 2  
NOTE:  
G.C. TO SHORE EXIST. AS REQ'D. DURING LINTEL PLACEMENT.



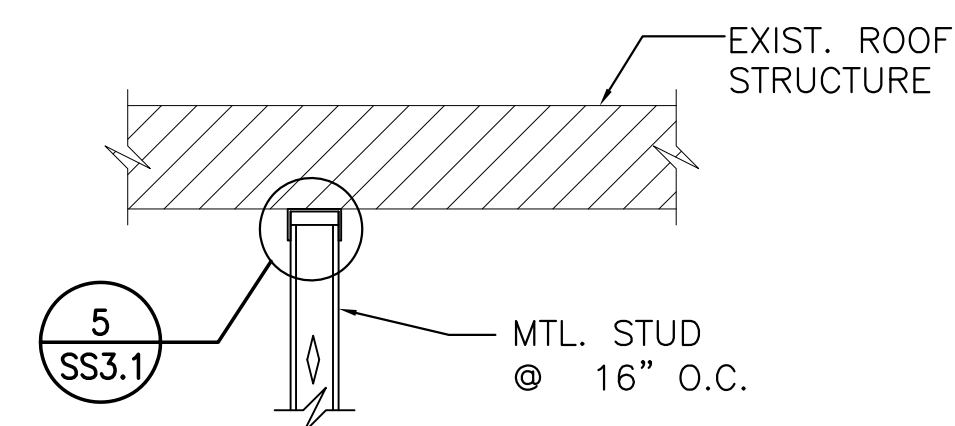
**DETAIL @ LINTEL**  
SCALE: 1/2"=1'-0"  
0 1 2 4



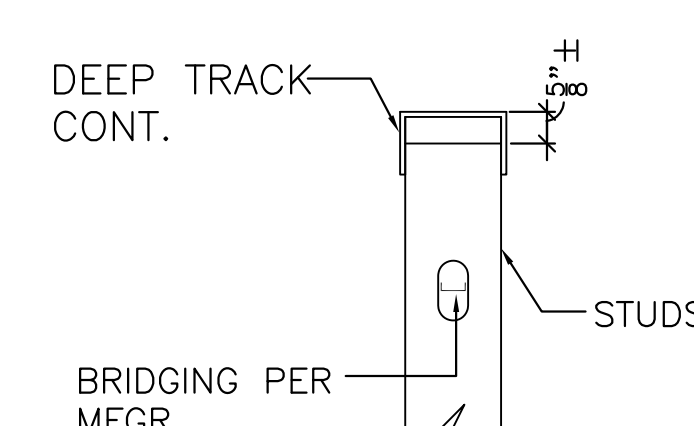
**DETAIL @ LINTEL**  
SCALE: 1/2"=1'-0"  
0 1 2 4



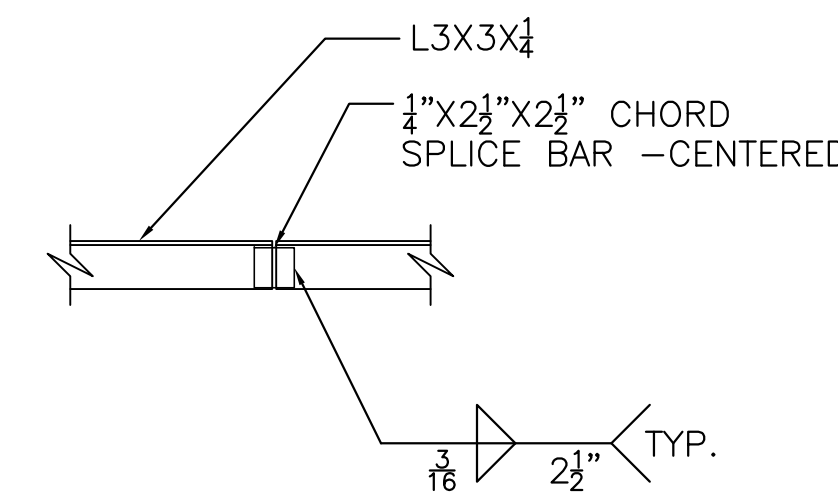
**TYP. BM. BRG. @ MAS. CONTROL JT. 1'-2" MIN. BRG.**  
SCALE: N.T.S. (SEE PLANS FOR M.C.J. LOCATIONS)



**SECTION @ ROOF**  
SCALE: 1/2"=1'-0"  
0 1 2 4  
EXTEND TO UNDERSIDE OF DECK AS REQ'D AT FIRE SEPERATION WALLS - COORDINATE W/ ARCH.



**SLIP DETAIL**  
SCALE: 1/2"=1'-0"  
0 1 2 4



**SPLICE DETAIL**  
SCALE: 1/2"=1'-0"  
0 1 2 4