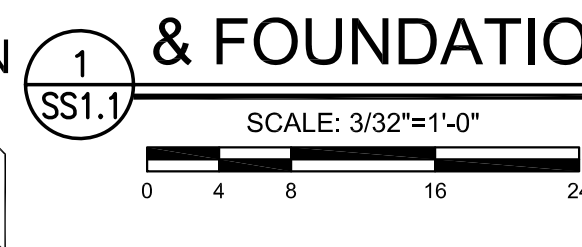


STADIUM FOOTING & FOUNDATION PLAN



CONT. FOOTING SCHEDULE

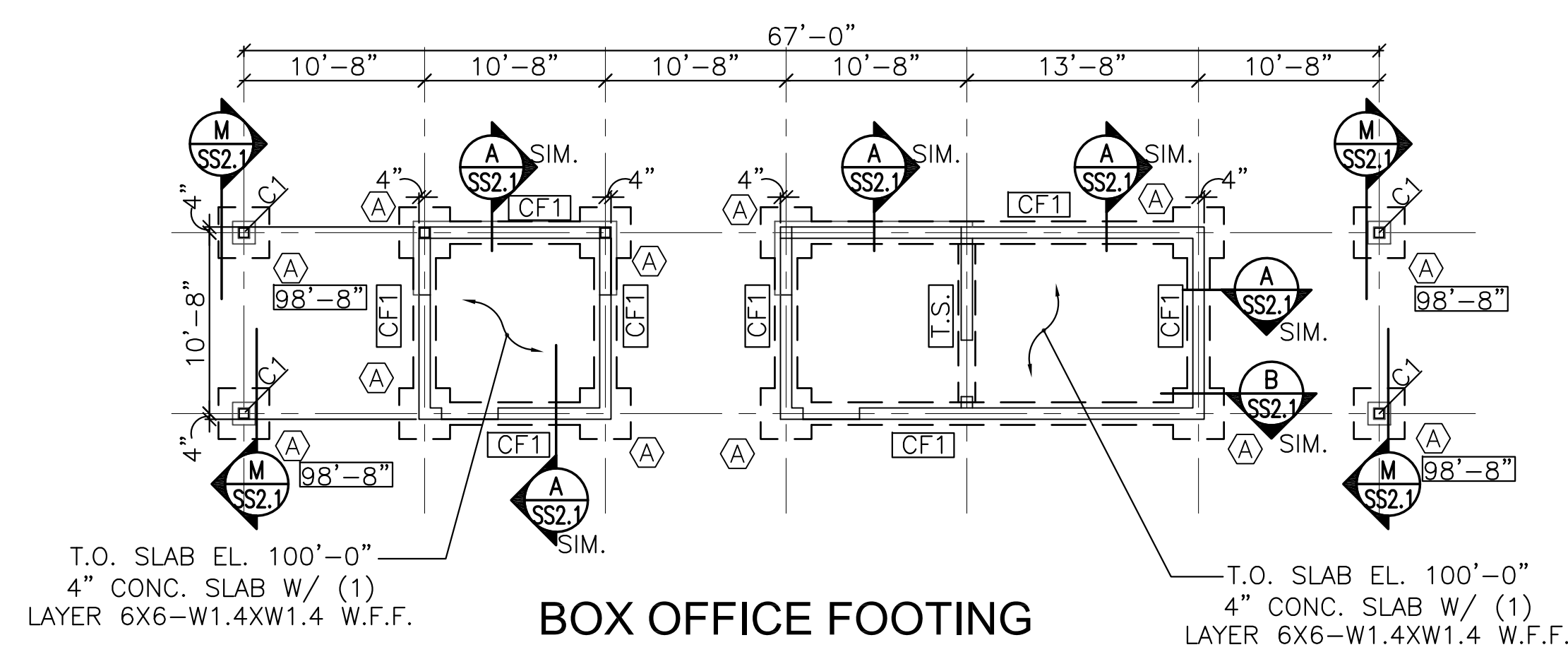
MARK	SIZE	REINF.
CF1	1'-4" WIDE X 3'-4" DP. MIN.	(2) #5 CONT. TOP & BOTT.
CF3	4'-6" WIDE X 3'-4" DP. MIN.	(5) #4 CONT. TOP & BOTT.
T.S.	1'-0" WIDE X 0'-8" DP. MIN.	(2) #4 CONT. BOTT.

PAD FOOTING SCHEDULE

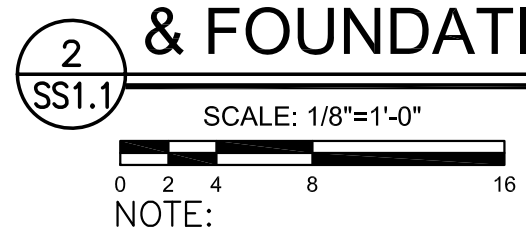
MARK	SIZE	REINF.
A	3'-0" SQ. X 3'-4" DP. MIN.	(4) #4 EA. WAY BOTT.

STEEL COLUMN SCHEDULE

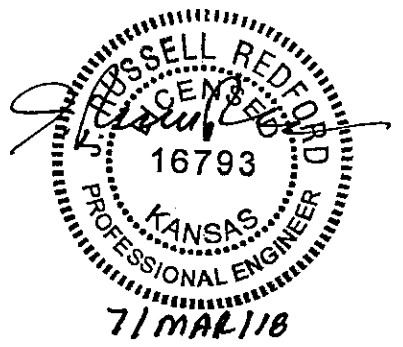
MARK	SIZE	BASE PL. SIZE	ANCHOR BOLTS	ADHESIVE ANCHOR OPTION	DIAGRAM
C1	HSS 3x3x1/4	12"x3"x1'-0"	(4) 3/8" DIA X 1'-5" TACK WELD BOTT. NUT TO TOP OF FTG.	(4) 3/8" DIA X 1'-3" DRILL & ANCHOR 10" INTO CONC. w/ HILTI HY200	



BOX OFFICE FOOTING & FOUNDATION PLAN



- NOTE:
1. T.O. FTG. EL. 99'-9"
 2. XXX'-XX" = T.O. FTG. ELEVATION



©2018 MKEC Engineering All Rights Reserved. www.mkec.com
These drawings and their contents, including, but not limited to, all concepts, designs, & data are the exclusive property of MKEC Engineering (MKEC), and may not be used or reproduced in any way without the express consent of MKEC.

FOOTING & FOUNDATION PLAN

PROJECT NO.	1701010567	
DATE	03-07-18	
SCALE	AS NOTED	
DESIGNED	DRAWN	CHECKED
RH	RDH	RH

0	ISSUED FOR CONSTRUCTION	03-07-18
NO.	REVISION	DATE
SHEET NO.		
SS1.1		

PROJECTS:2017\1701010567_COM_STRYKER_170652_CAD\SET\ISA STRYKER\STRYKER.170652_SS1.1.DWG
 PLOT:20180703 10:51:10 AM