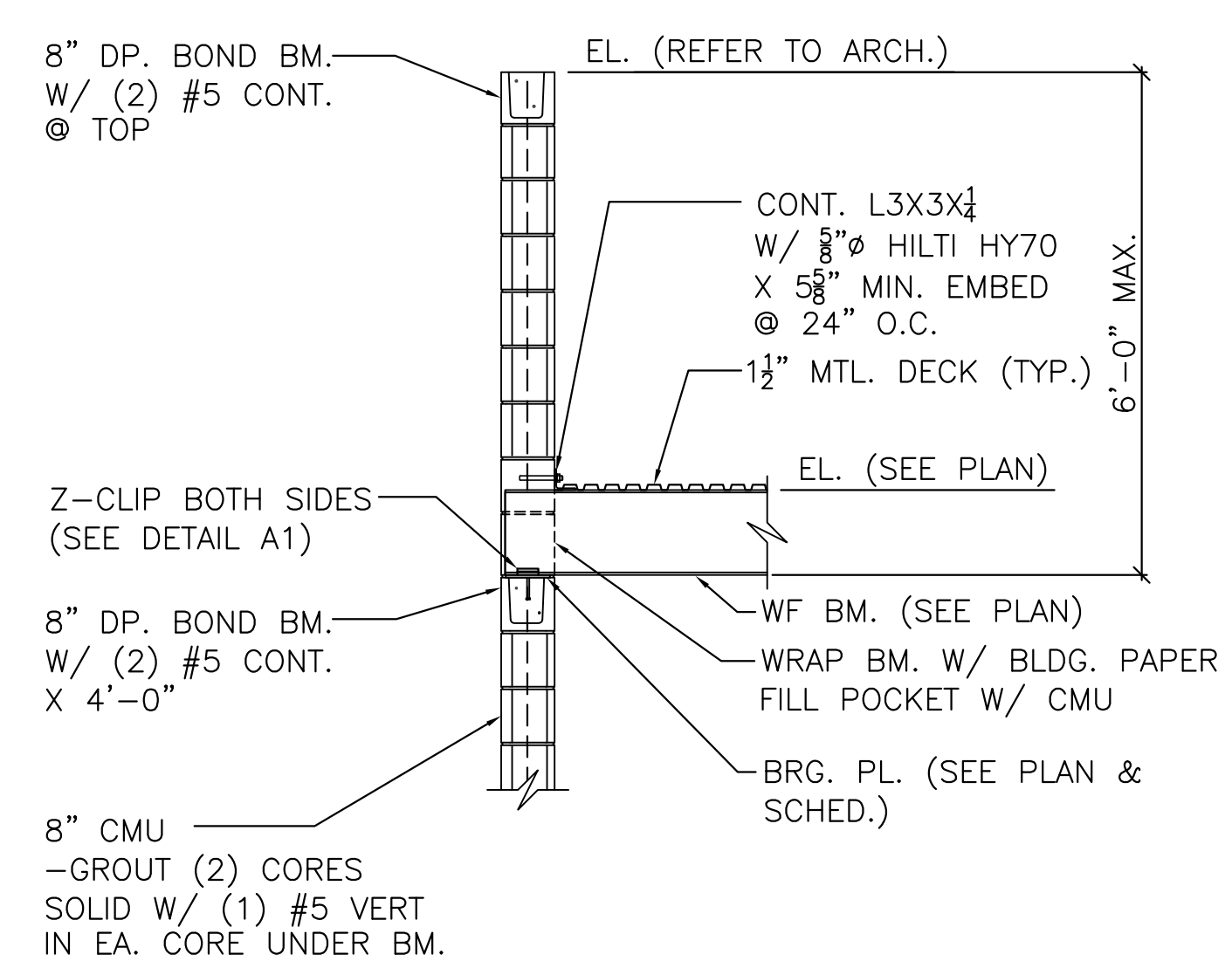


ROOF FRAMING SECTIONS

PROJECT NO.	1701010567	
DATE	03-07-18	
SCALE	SEE PLAN	
DESIGNED	DRAWN	CHECKED
RH	RDH	RR

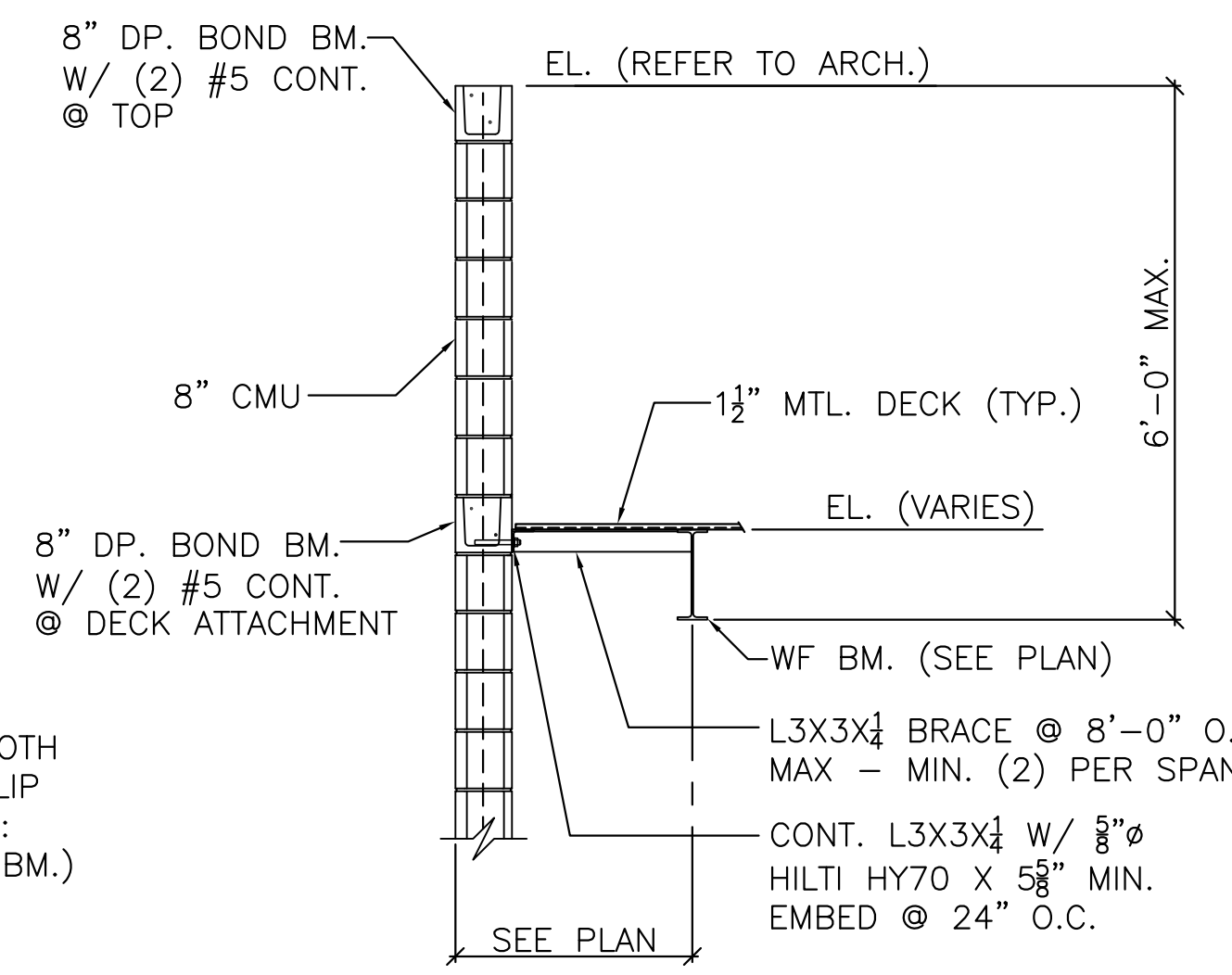
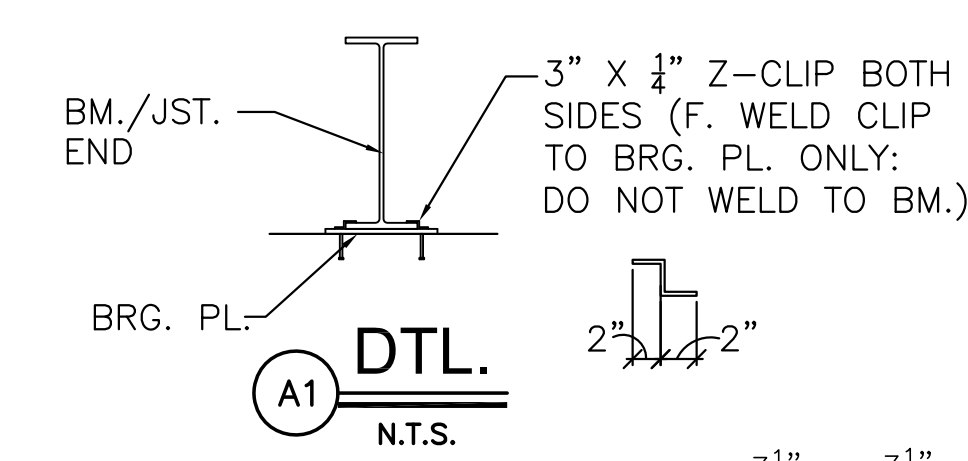
ISSUED FOR CONSTRUCTION	03-07-18	
NO.	REVISION	DATE

SHEET NO.
SS3.1

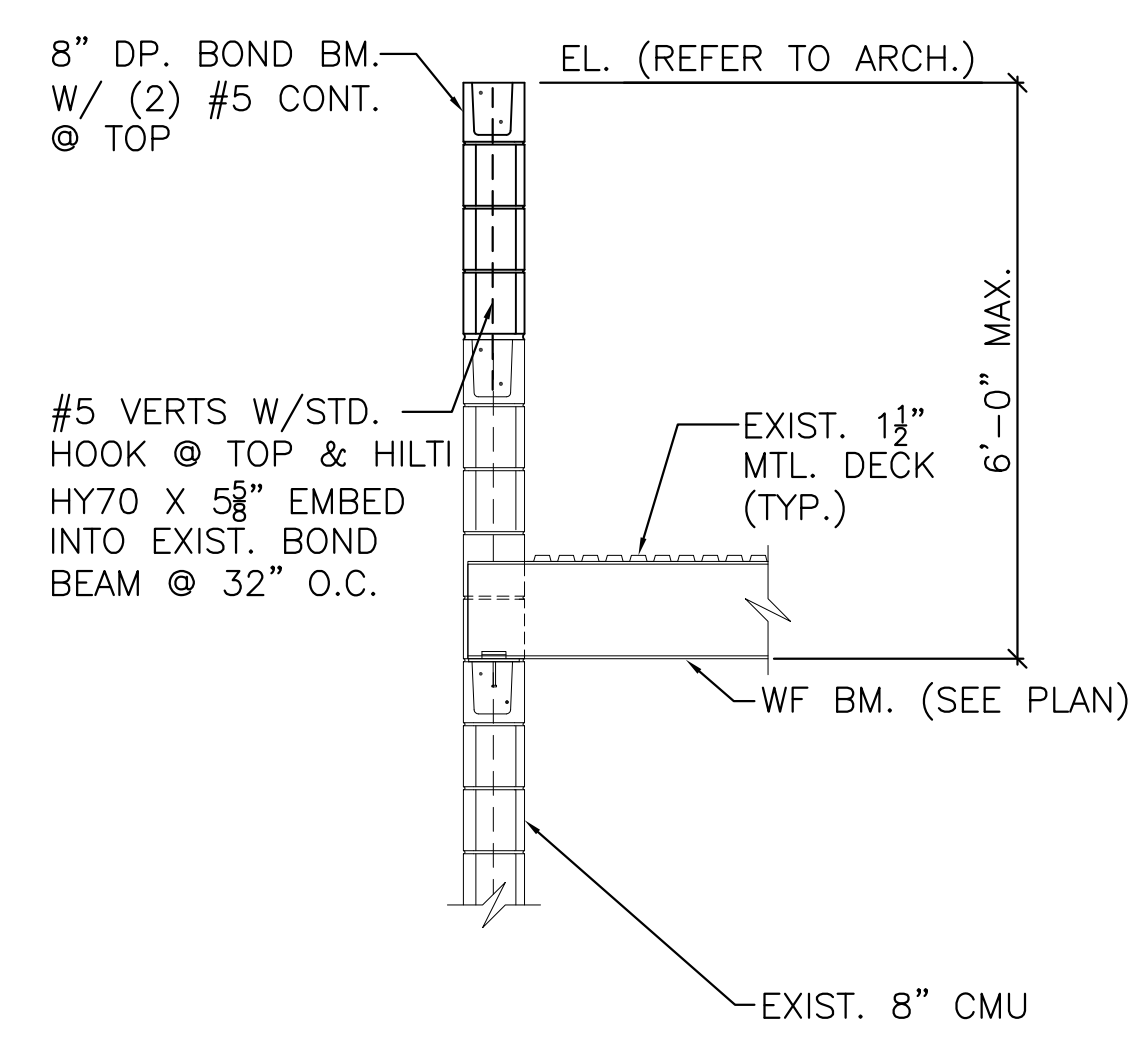


SECTION @ ROOF
A
SS3.1
SCALE: 1/2"=1'-0"
0 1 2 4

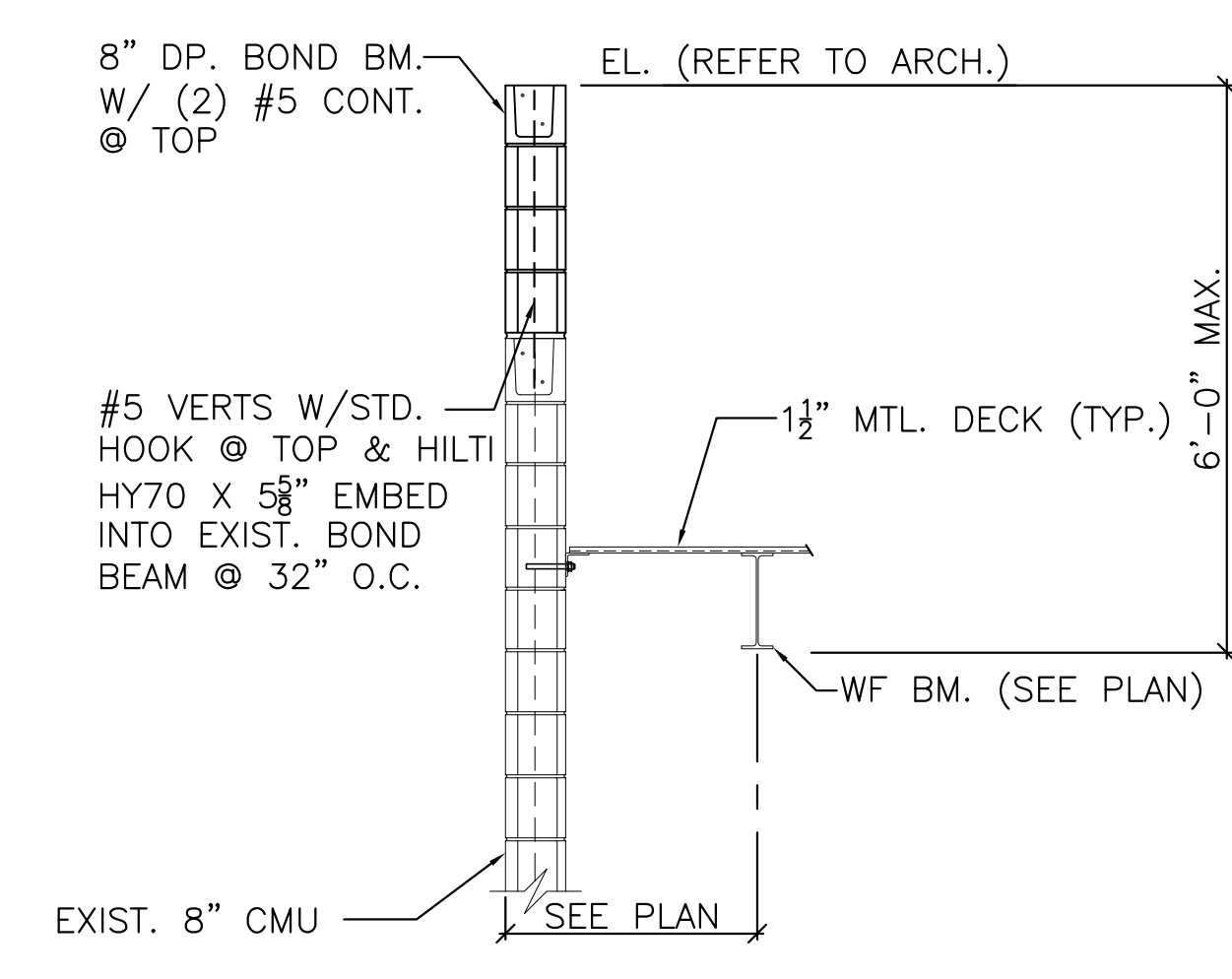
NOTE:
AT MASONRY CONTROL JOINTS BOND BM. REINF. AT JST. BRG. & DECK BRG. SHALL BE CONT. WITH VERTICAL JOINT AT BOTH SIDES RAKED 2" DEEP & SEALED
NOTE:
8" DP. BOND BEAM W/ (2) #5 CONT. SHALL BE SPACED AT 8'-0" O.C. MAX. VERTICALLY IN ALL WALLS.



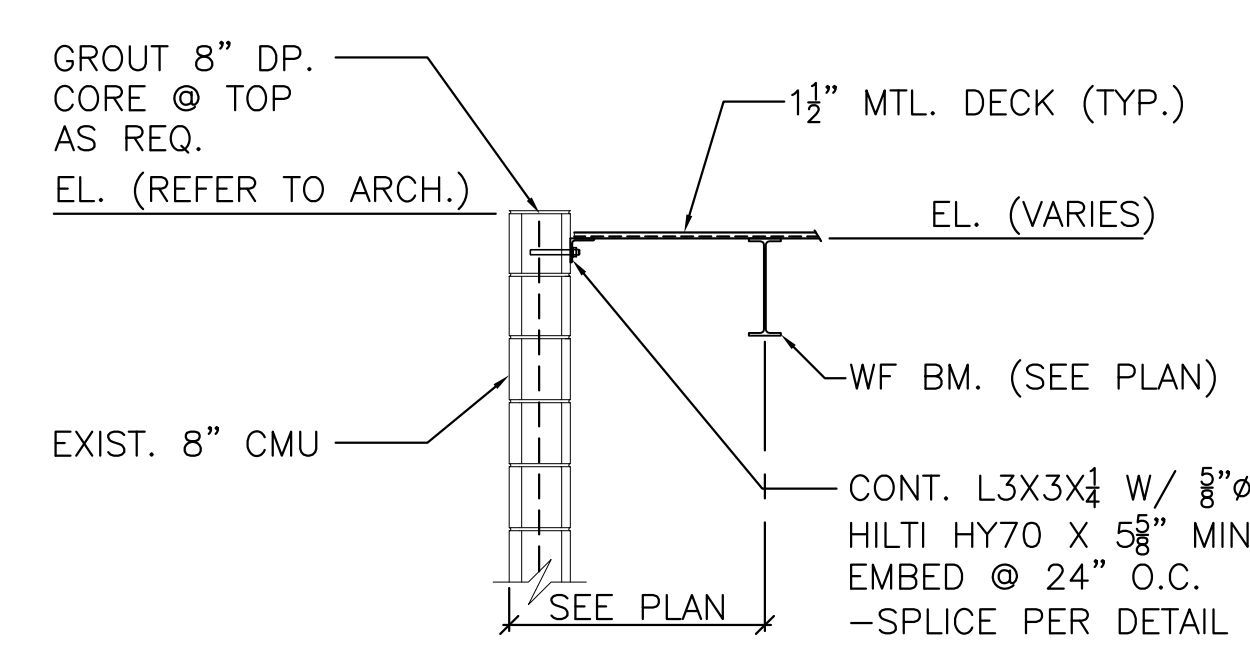
SECTION @ ROOF
B
SS3.1
SCALE: 1/2"=1'-0"
0 1 2 4



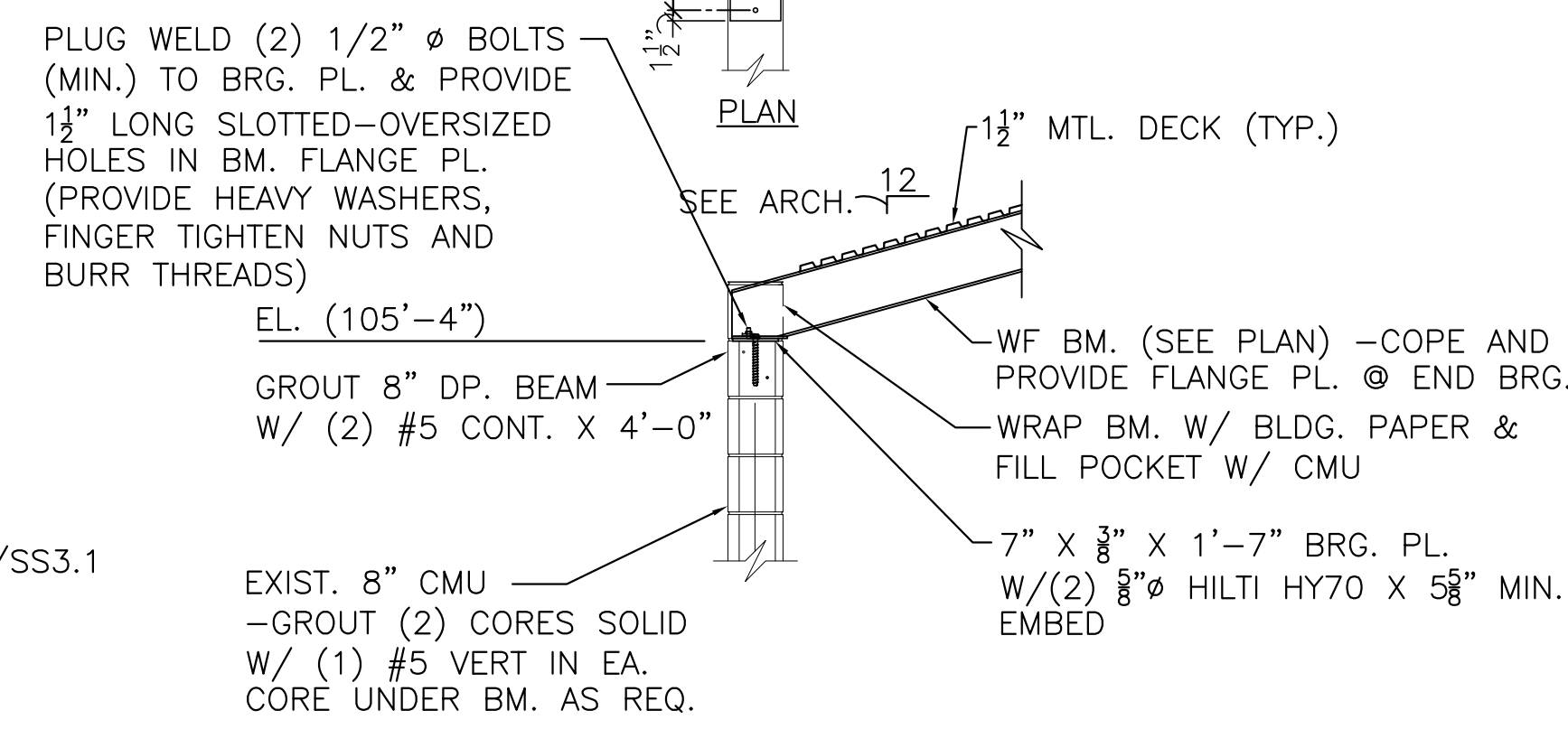
SECTION @ ROOF
C
SS3.1
SCALE: 1/2"=1'-0"
0 1 2 4



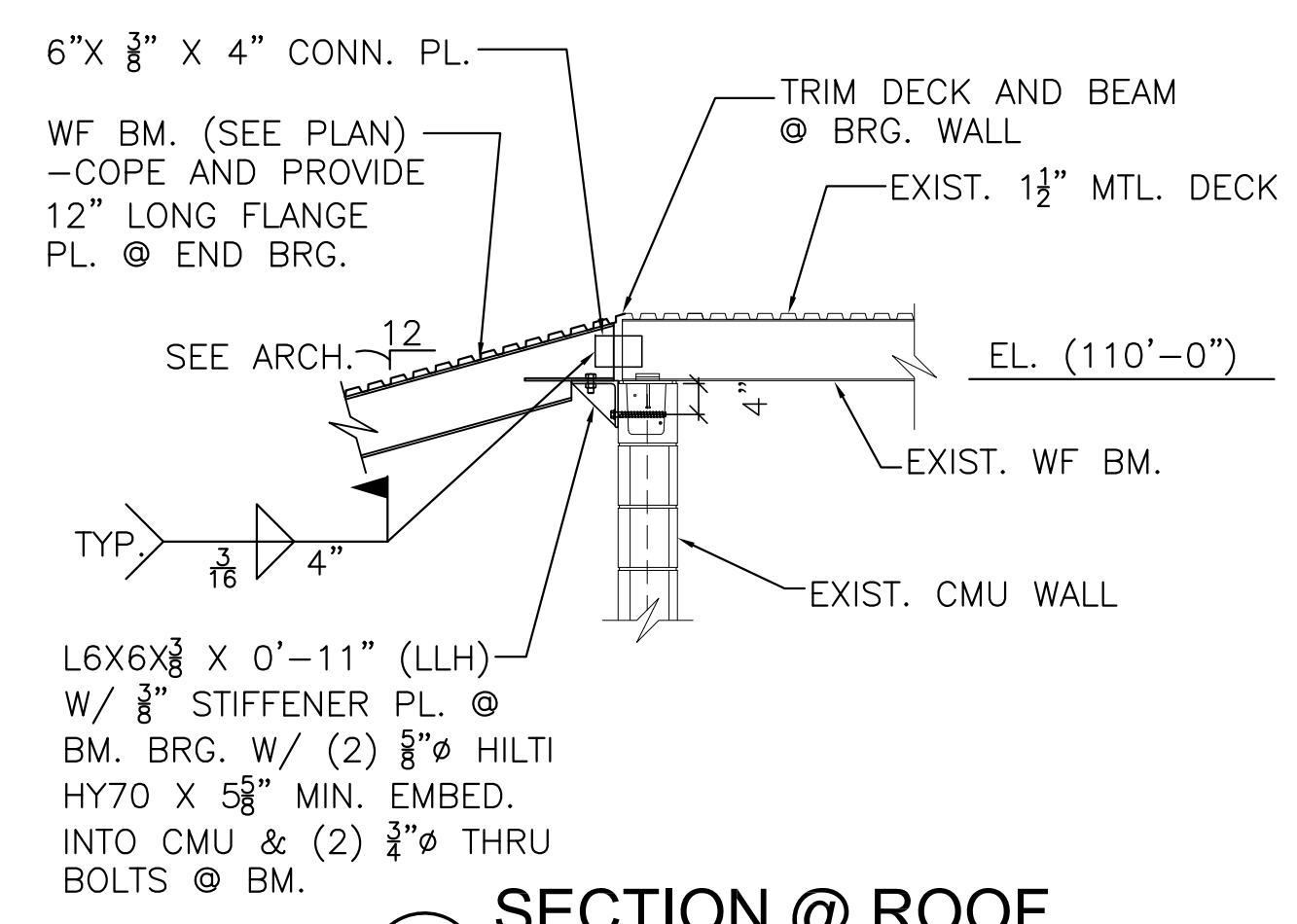
SECTION @ ROOF
D
SS3.1
SCALE: 1/2"=1'-0"
0 1 2 4



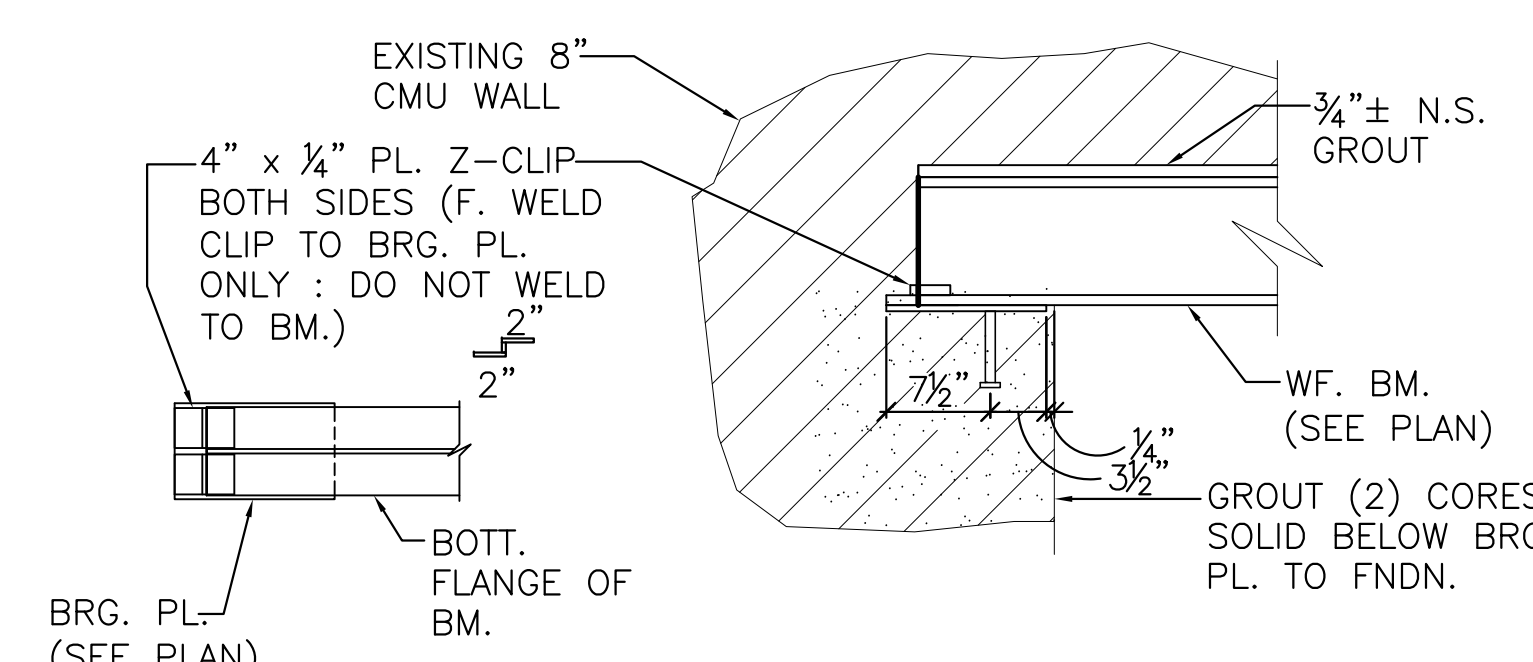
SECTION @ ROOF
E
SS3.1
SCALE: 1/2"=1'-0"
0 1 2 4



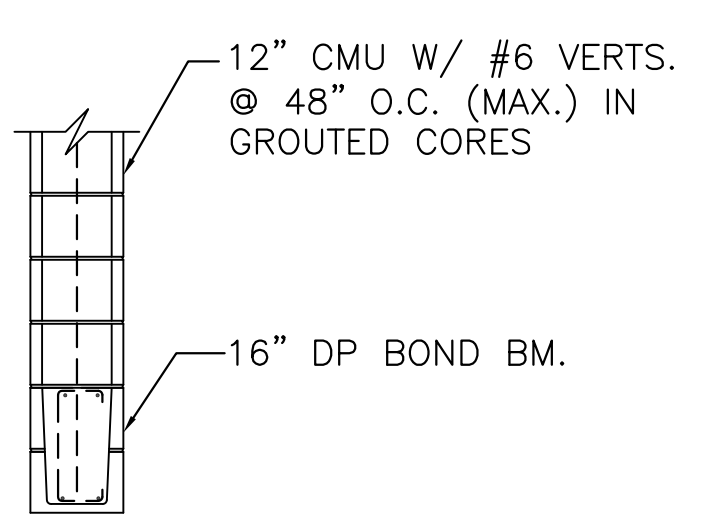
SECTION @ ROOF
F
SS3.1
SCALE: 1/2"=1'-0"
0 1 2 4



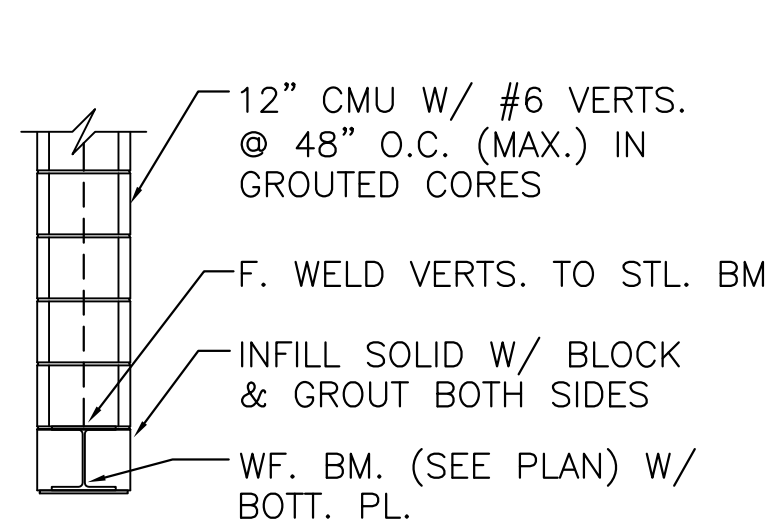
SECTION @ ROOF
G
SS3.1
SCALE: 1/2"=1'-0"
0 1 2 4



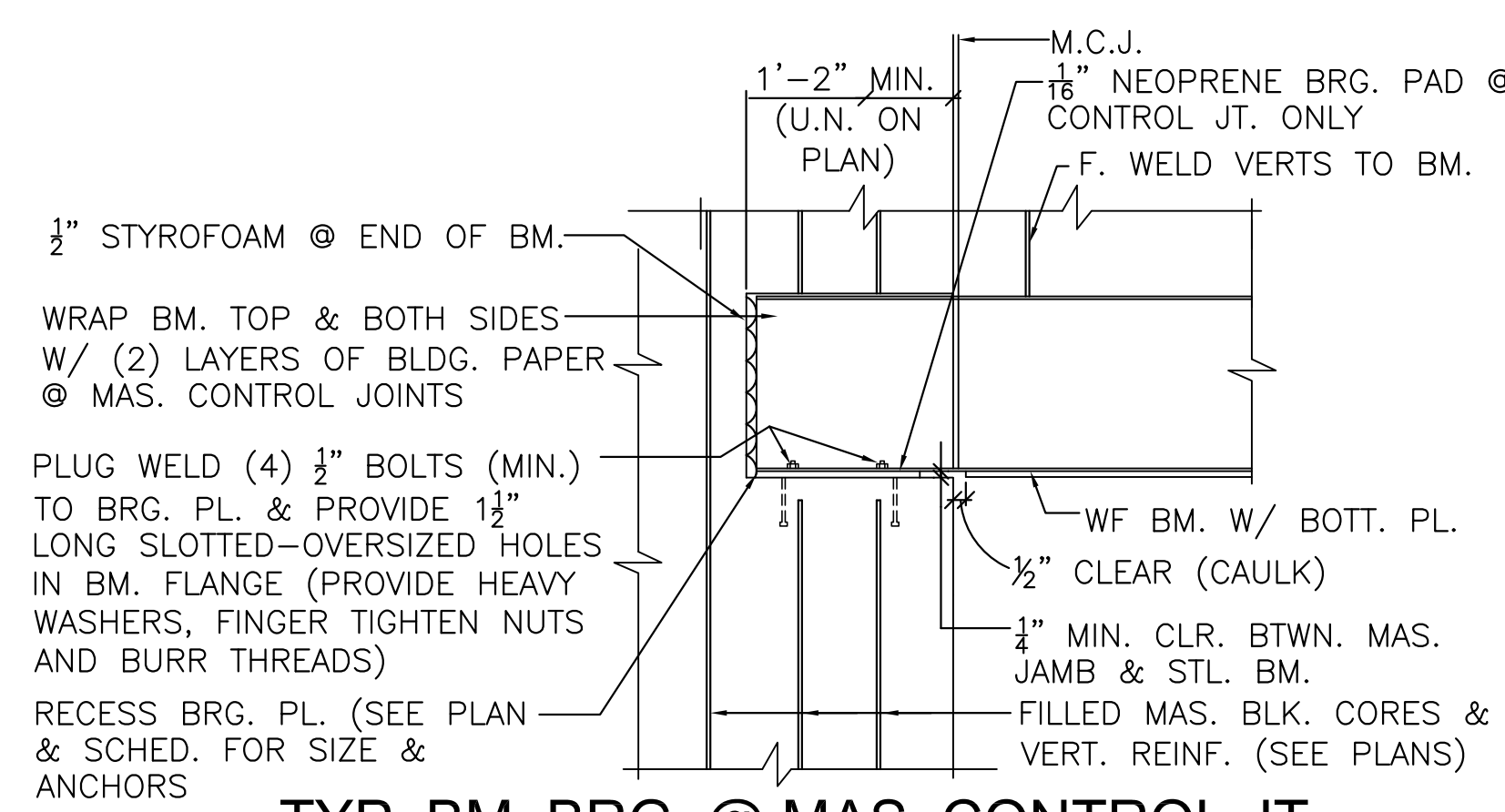
SECTION @ EXIST. WALL
7
SS3.1
SCALE: 1"=1'-0"
0 1 2
NOTE:
G.C. TO SHORE EXIST. AS REQ'D. DURING LINTEL PLACEMENT.



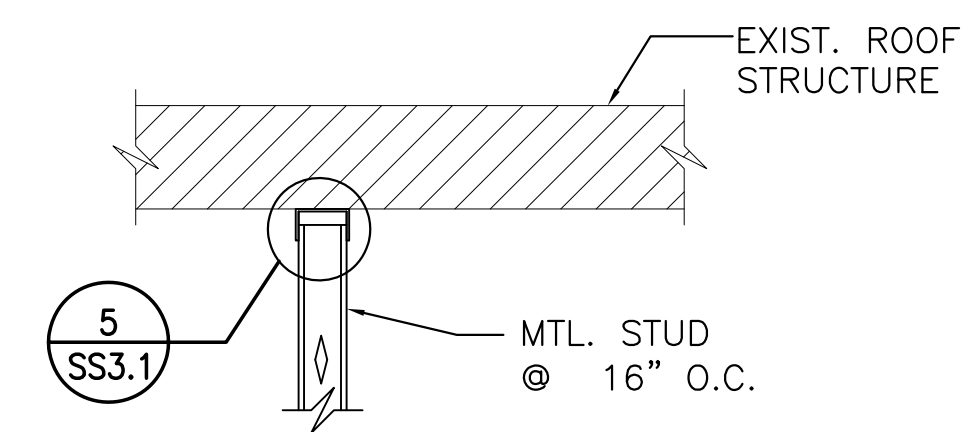
DETAIL @ LINTEL
1
SS3.1
SCALE: 1/2"=1'-0"
0 1 2 4



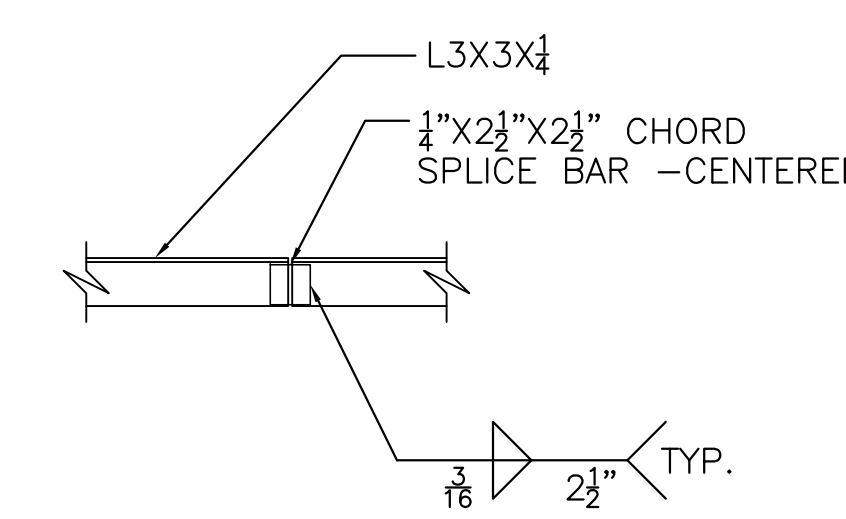
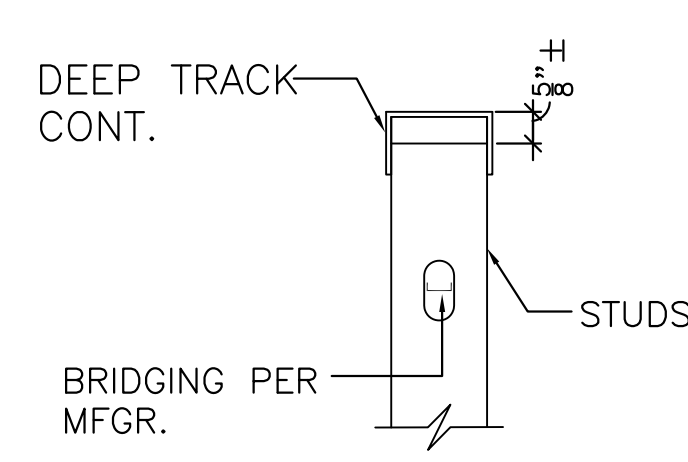
DETAIL @ LINTEL
2
SS3.1
SCALE: 1/2"=1'-0"
0 1 2 4



TYP. BM. BRG. @ MAS. CONTROL JT. 1'-2" MIN. BRG.
3
SS3.1
SCALE: N.T.S. (SEE PLANS FOR M.C.J. LOCATIONS)



SECTION @ ROOF
4
SS3.1
SCALE: 1/2"=1'-0"
0 1 2 4
EXTEND TO UNDERSIDE OF DECK AS REQ'D AT FIRE SEPERATION WALLS - COORDINATE W/ ARCH.



SPLICE DETAIL
6
SS3.1
SCALE: 1/2"=1'-0"
0 1 2 4

PROJECTS:2017101010567_COM_STRYKER_17062_CADSETFOR STRYKER17062_SS3.1.DWG