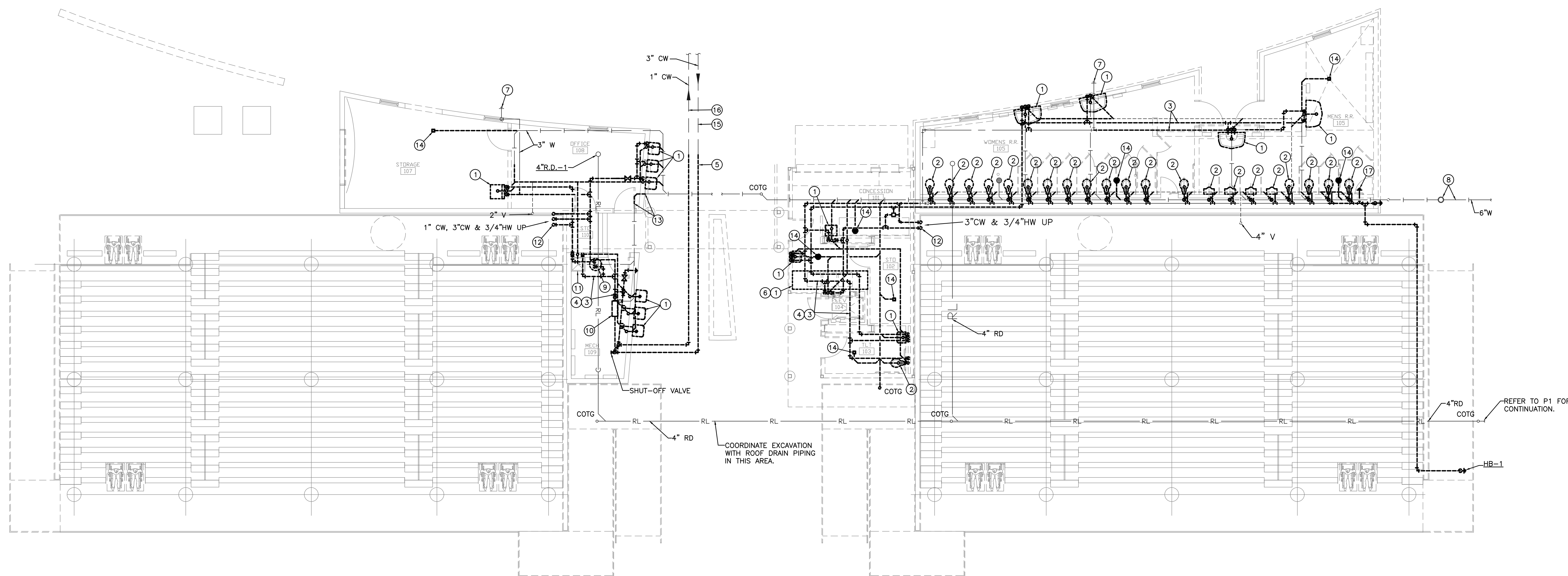


KEYED NOTES

1. REMOVE EXISTING PLUMBING FIXTURE IN ITS ENTIRETY. DEMOLISH EXISTING CW/HW/W/V PIPING BACK TO THEIR RESPECTIVE MAINS AND CAP AS SHOWN.
2. REMOVE EXISTING PLUMBING FIXTURE IN ITS ENTIRETY. DEMOLISH EXISTING CW/W/V PIPING BACK TO THEIR RESPECTIVE MAKES AND CAP AS SHOWN.
3. REMOVE EXISTING CW/HW PIPING IN THIS AREA AS SHOWN (INDICATED BY DASHED LINE).
4. REMOVE EXISTING W/V PIPING IN THIS AREA AS SHOWN (INDICATED BY DASHED LINE).
5. REMOVE EXISTING CW ENTRY PIPING BELOW GRADE. CAP FOR FUTURE CONNECTION. REFER TO DOMESTIC WATER PLAN SHEET SP3.0 FOR ADDITIONAL INFORMATION.
6. DEMOLISH EXISTING GREASE INTERCEPTOR BELOW THREE COMPARTMENT SINK IN THIS AREA.
7. EXISTING FREEZE PROOF WALL HYDRANT TO REMAIN.
8. EXISTING EXTERIOR CLEANOUT AND WASTE MAIN TO REMAIN AS SHOWN.
9. REMOVE AND RETAIN EXISTING WATER HEATER FOR FUTURE USE. REFER TO SHEETS SP2.0 AND SP3.0 FOR ADDITIONAL INFORMATION.
10. REMOVE AND RETAIN EXISTING BACKFLOW PREVENTER FOR FUTURE USE. REFER TO SHEET SP3.0 FOR ADDITIONAL INFORMATION.
11. EXISTING MOP BASIN TO REMAIN. REFER TO SHEETS SP2.0 AND SP3.0 FOR ADDITIONAL INFORMATION.
12. DEMOLISH EXISTING CW/HW PIPING ROUTED EXPOSED IN BREEZEWAY.
13. REMOVE EXISTING WASTE PIPING IN THIS AREA AS SHOWN. PREPARE PIPING FOR FUTURE CONNECTION. REFER TO WASTE AND VENT PLAN ON SHEET SP1.0 FOR ADDITIONAL INFORMATION.
14. REMOVE EXISTING FLOOR DRAIN IN THIS AREA. DEMOLISH ALL W/V PIPING BACK TO THEIR RESPECTIVE MAINS AND CAP.
15. EXISTING CW ENTRY PIPING BELOW GRADE TO REMAIN. FIELD VERIFY EXACT LOCATION.
16. EXISTING CW SUPPLY PIPING FOR YARD HYDRANTS BELOW GRADE TO REMAIN. FIELD VERIFY EXACT LOCATION.
17. REMOVE EXISTING HYDRANT AND ALL ASSOCIATED CW PIPING BACK TO CW MAIN.



PLUMBING DEMOLITION PLAN
SCALE: 1/8" = 1'-0"
SCALE: 1/8" = 1'-0"
0 2 4 8 16

PROJECTS/2017/17010567_CDW_STRYKER_SPORTS/BLDG/MEP/STADIUM_PACKAGES/UMR/SP1/SP1_WASTE & VENT DEMO PLAN.DWG

©2018
MKEC Engineering
All Rights Reserved
www.mkec.com
These drawings and their contents, including but not limited to, all concepts, designs, & notes are the exclusive property of MKEC Engineering (MKEC), and may not be used or reproduced in any way without the express consent of MKEC.

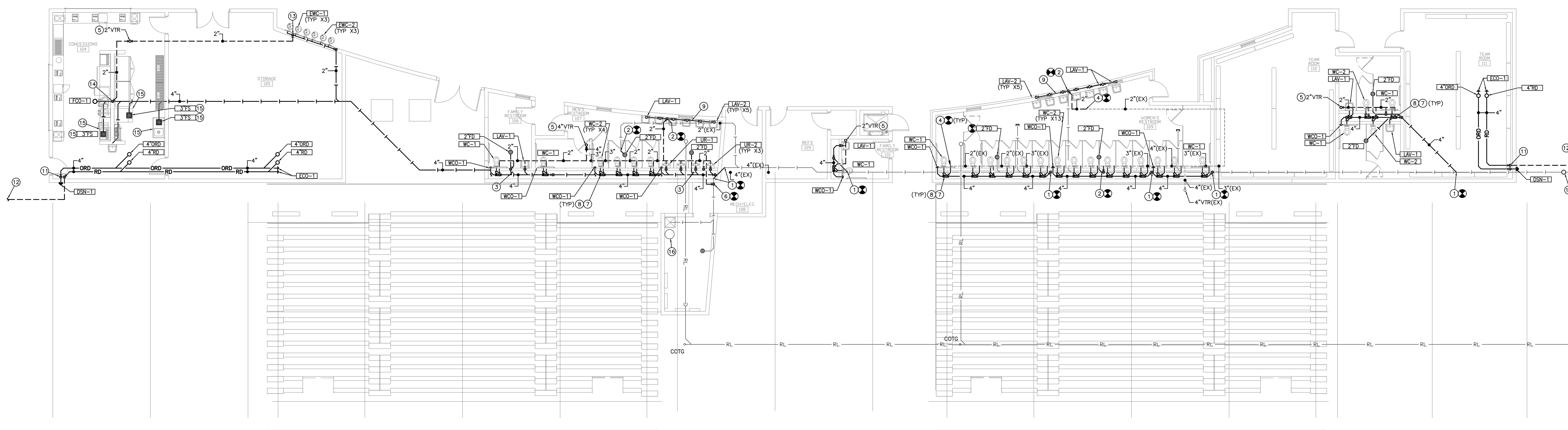
WASTE & VENT DEMOLITION PLAN

PROJECT NO.	1701010567	
DATE	03-07-18	
SCALE	AS NOTED	
DESIGNED	DRAWN	CHECKED
CJK	CJK	RLB

NO.	REVISION	DATE

SHEET NO.
SP1.0

- KEYED NOTES**
1. EXTEND NEW 4"W TO EXISTING 4"W OR LARGER IN THIS AREA. FIELD VERIFY EXACT LOCATION AND CONNECTION REQUIREMENTS.
 2. EXTEND NEW 2"W TO EXISTING 2"W OR LARGER IN THIS AREA. FIELD VERIFY EXACT LOCATION AND CONNECTION REQUIREMENTS.
 3. EXTEND 2"W FROM NEW FLOOR DRAIN TO WASTE LINE BELOW GRADE IN THIS AREA. WASTE LINE BELOW GRADE SHALL RUN PARALLEL WITH WASTE IN CHASE.
 4. CONNECT NEW 2"V TO EXISTING 2"V OR LARGER IN THIS AREA. FIELD VERIFY EXACT LOCATION AND CONNECTION REQUIREMENTS.
 5. EXTEND NEW VENT UP THROUGH ROOF IN THIS AREA. MAINTAIN A MINIMUM DISTANCE OF 10'-0" CLEARANCE FROM ALL FRESH AIR INTAKES.
 6. EXTEND NEW 2"V DOWN TO EXISTING WASTE IN THIS AREA TO CIRCUIT VENT EXISTING MOP BASIN AND FLOOR DRAIN AS SHOWN.
 7. PROVIDE WATTS MODEL ISCA-101-L/R-BF OR EQUAL WATER CLOSET CARRIER.
 8. EXTEND NEW 2"V DOWN IN CHASE TO WATER CLOSET CARRIER VENT CONNECTION.
 9. EXTEND 2"W HEADER BELOW LAVATORIES AND EXTEND DOWN BELOW FLOOR. EXTEND 2"V DOWN TO WASTE TO ACT AS CIRCUIT VENT FOR ALL LAVATORIES.
 10. EXISTING WASTE MAIN AND EXTERIOR CLEANOUT TO REMAIN.
 11. EXTEND 4"RD/ORD PIPING DOWN IN THIS LOCATION. ROUTE 4"RD BELOW GRADE AS SHOWN. TERMINATE 4"RD WITH ZURN MODEL Z199 OR EQUAL DOWN SPOUT NOZZLE.
 12. REFER TO CIVIL SITE PLAN FOR CONTINUATION.
 13. PROVIDE 2" CIRCUIT VENT DOWN TO WASTE MAIN ROUTED IN WALL BEHIND WATER COOLERS AS SHOWN.
 14. PROVIDE 2" CIRCUIT VENT DOWN IN WALL TO WASTE MAIN BELOW FLOOR AS SHOWN.
 15. EXTEND INDIRECT WASTE FROM EQUIPMENT PROVIDED BY KITCHEN SUPPLIER TO SINKS IN THIS AREA. PROVIDE 2" AIR GAP AND DOWN TURNED ELBOW.
 16. EXTEND P&T RELIEF PIPING FROM EXISTING WATER HEATER TO MOP BASIN IN THIS AREA. TERMINATE WITH 2" AIR GAP AND DOWN TURNED ELBOW.



WASTE & VENT PLAN
SCALE: 1/8" = 1'-0"
SCALE: 1/8"=1'-0"
0 2 4 8 16

©2018 MKEC Engineering All Rights Reserved www.mkec.com These drawings and their contents, including but not limited to, all concepts, designs, & notes are the exclusive property of MKEC Engineering (MKEC), and may not be used or reproduced in any way without the express consent of MKEC.

WASTE & VENT PLAN

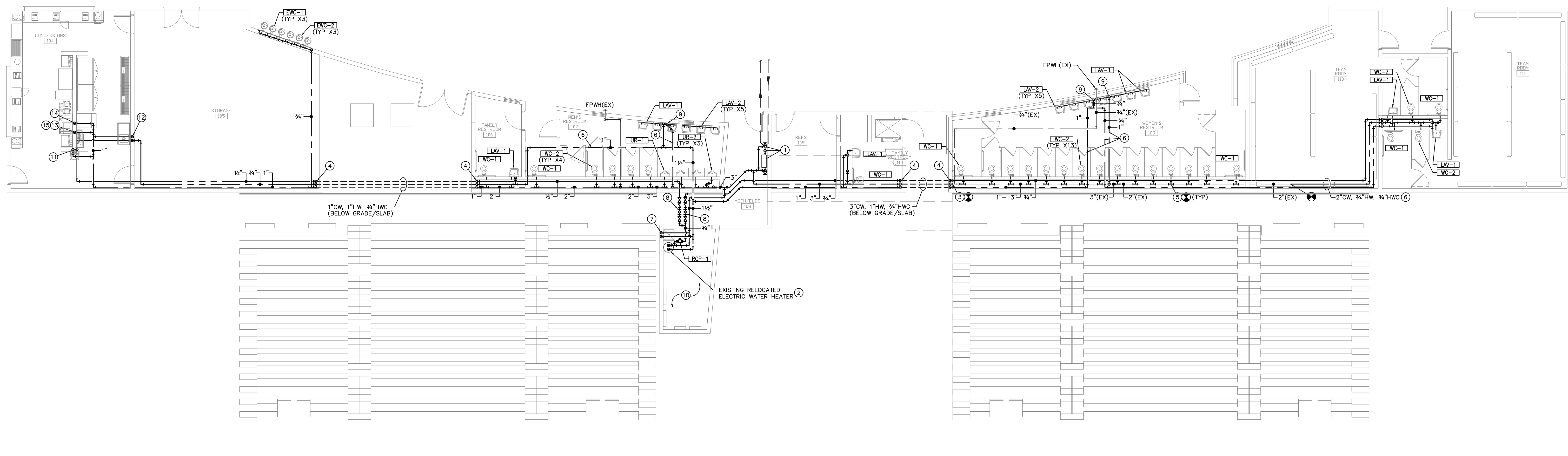
PROJECT NO.	1701010567	
DATE	03-07-18	
SCALE	AS NOTED	
DESIGNED	DRAWN	CHECKED
CJK	CJK	RLB

NO.	REVISION	DATE

SHEET NO.
SP2.0

J:\PROJECTS\2017\1701010567\COM_STRYKER\170567_CAD\SETS\1800_MERSTADIUM_PACKAGER\UMRSP2.SP2_WASTE & VENT PLAN.DWG
 C:\Users\mkec\OneDrive\Documents\170567_CAD\SETS\1800_MERSTADIUM_PACKAGER\UMRSP2.SP2_WASTE & VENT PLAN.DWG

- KEYED NOTES**
1. EXTEND NEW 3" CW BUILDING ENTRY UP FROM BELOW GRADE IN THIS LOCATION. ROUTE NEW 3" CW TO RELOCATED BACKFLOW PREVENTER RETAINED DURING DEMOLITION. EXTEND NEW 1" CW DOWN BELOW GRADE TO EXISTING CW TO YARD HYDRANTS. FIELD VERIFY EXACT LOCATION AND CONNECTION REQUIREMENTS. PROVIDE SHUT-OFF VALVES PRIOR TO CONNECTION TO BACKFLOW PREVENTER (BOTH INLET AND OUTLET SIDES), AND BEFORE CONNECTION TO EXISTING YARD HYDRANT PIPING.
 2. EXTEND NEW 1/2" CW/HW DOWN TO RELOCATED WATER HEATER RETAINED DURING DEMOLITION. MAKE FINAL CONNECTION TO WATER HEATER PER MANUFACTURER'S RECOMMENDATIONS. REFER TO WATER HEATER DETAIL FOR ADDITIONAL INFORMATION.
 3. CONNECT NEW 3" CW MAIN TO EXISTING 3" CW MAIN IN CHASE AS SHOWN. FIELD VERIFY EXACT LOCATION AND CONNECTION REQUIREMENTS.
 4. EXTEND CW/HW DOWN BELOW GRADE SLAB IN THIS LOCATION AS SHOWN. CW/HW PIPING DOWN IN EXTERIOR WALL SHALL BE LOCATED ON THE UNCONDITIONED SIDE OF THE INSULATION SUCH THAT PIPING WILL NOT FREEZE.
 5. EXTEND NEW 1/2" CW FROM WATER CLOSET FLUSH VALVE TO EXISTING CW MAIN IN CHASE AS SHOWN.
 6. ROUTE PIPING EXPOSED OVERHEAD IN THIS AREA. HOLD PIPING TIGHT TO STRUCTURE ABOVE.
 7. EXTEND NEW 3/4" CW/HW DOWN TO EXISTING MOP BASIN FAUCET IN THIS AREA. MAKE FINAL CONNECTION TO FAUCET PER MANUFACTURER'S RECOMMENDATIONS.
 8. CONTRACTOR TO PROVIDE AND INSTALL MODEL IC55075L-3/4-20PM FLOW DESIGN INC. CIRCUIT SETTER. ALL EQUALS TO BE SUBMITTED TO ENGINEER FOR APPROVAL PRIOR TO INSTALLATION.
 9. EXTEND 1" CW/HW DOWN EXPOSED ON WALL TO BELOW LAVATORIES IN THIS AREA. EXTEND 1" CW/HW HEADER BELOW LAVATORIES AND 1/2" CW/HW SUPPLY PIPING TO EACH LAVATORY.
 10. DO NOT ROUTE ANY PLUMBING PIPING OVER ELECTRICAL GEAR. FIELD VERIFY EXACT ELECTRICAL GEAR LOCATIONS.
 11. EXTEND 1/2" CW/HW DOWN IN WALL TO KITCHEN SUPPLIER PROVIDED HAND SINK. MAKE FINAL CONNECTION PER MANUFACTURER'S RECOMMENDATIONS.
 12. EXTEND 3/4" CW/HW DOWN IN WALL TO KITCHEN SUPPLIER PROVIDED SINK. MAKE FINAL CONNECTION PER MANUFACTURER'S RECOMMENDATIONS.
 13. EXTEND 1/2" CW DOWN TO KITCHEN SUPPLIER. PROVIDE COFFEE MAKER. MAKE FINAL CONNECTION TO EQUIPMENT PER MANUFACTURER'S RECOMMENDATIONS.
 14. EXTEND 1/2" CW DOWN TO KITCHEN SUPPLIER. PROVIDE ICE MAKER. MAKE FINAL CONNECTION TO EQUIPMENT PER MANUFACTURER'S RECOMMENDATIONS.
 15. EXTEND 1/2" CW DOWN TO KITCHEN SUPPLIER. PROVIDE TEA DISPENSER. MAKE FINAL CONNECTION TO EQUIPMENT PER MANUFACTURER'S RECOMMENDATIONS.



DOMESTIC WATER PLAN
SCALE: 1/8" = 1'-0"
SCALE: 1/8"=1'-0"
N

INTERIOR REMODEL
STRYKER SPORTS
WICHITA, KANSAS

©2018 MKEC Engineering All Rights Reserved. These drawings and their contents, including but not limited to, all concepts, designs, & notes are the exclusive property of MKEC Engineering (MKEC), and may not be used or reproduced in any way without the express consent of MKEC.

WATER & GAS PLAN

PROJECT NO.	1701010567	
DATE	03-07-18	
SCALE	AS NOTED	
DESIGNED	DRAWN	CHECKED
CJK	CJK	RLB

NO.	REVISION	DATE

SHEET NO.
SP3.0

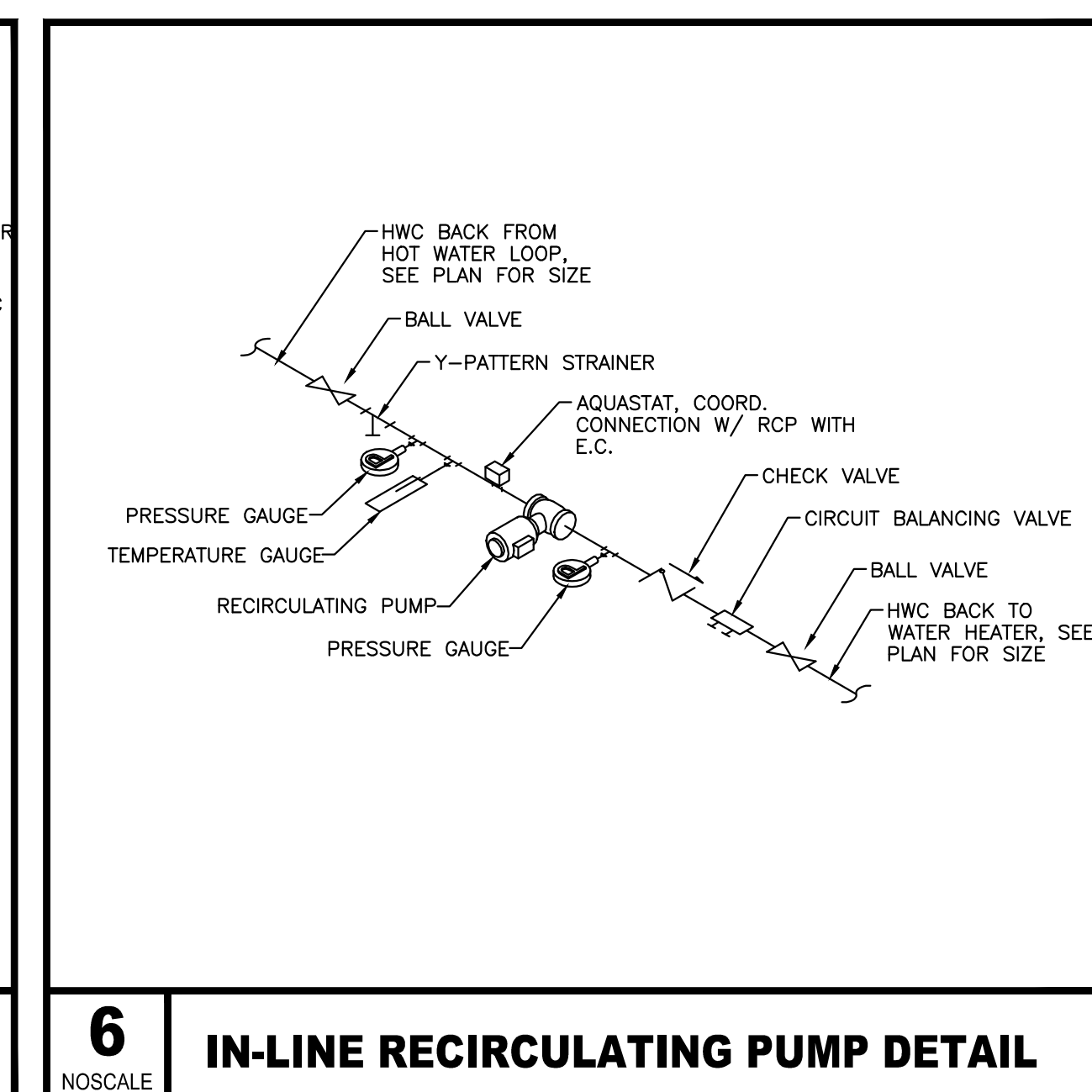
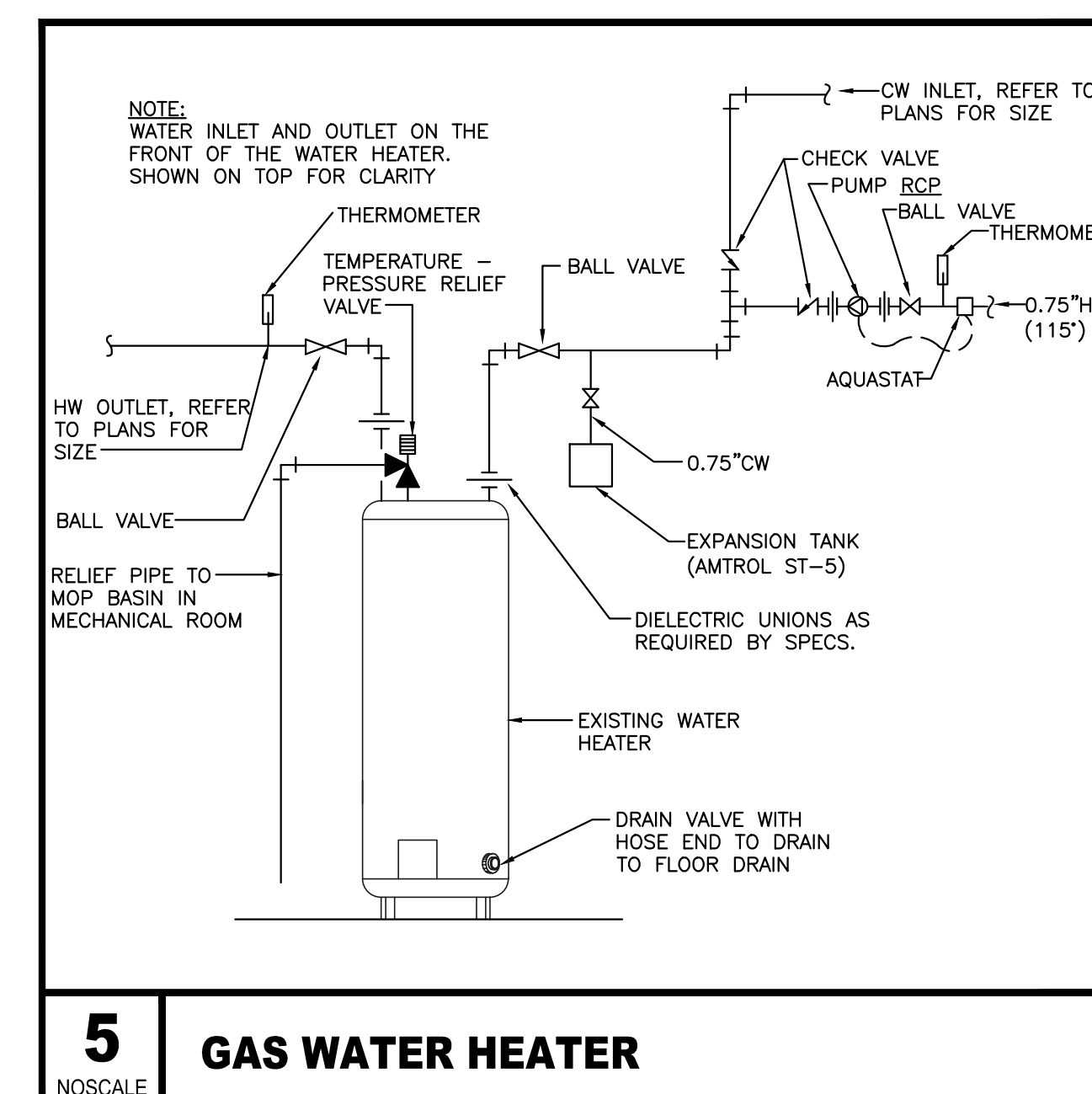
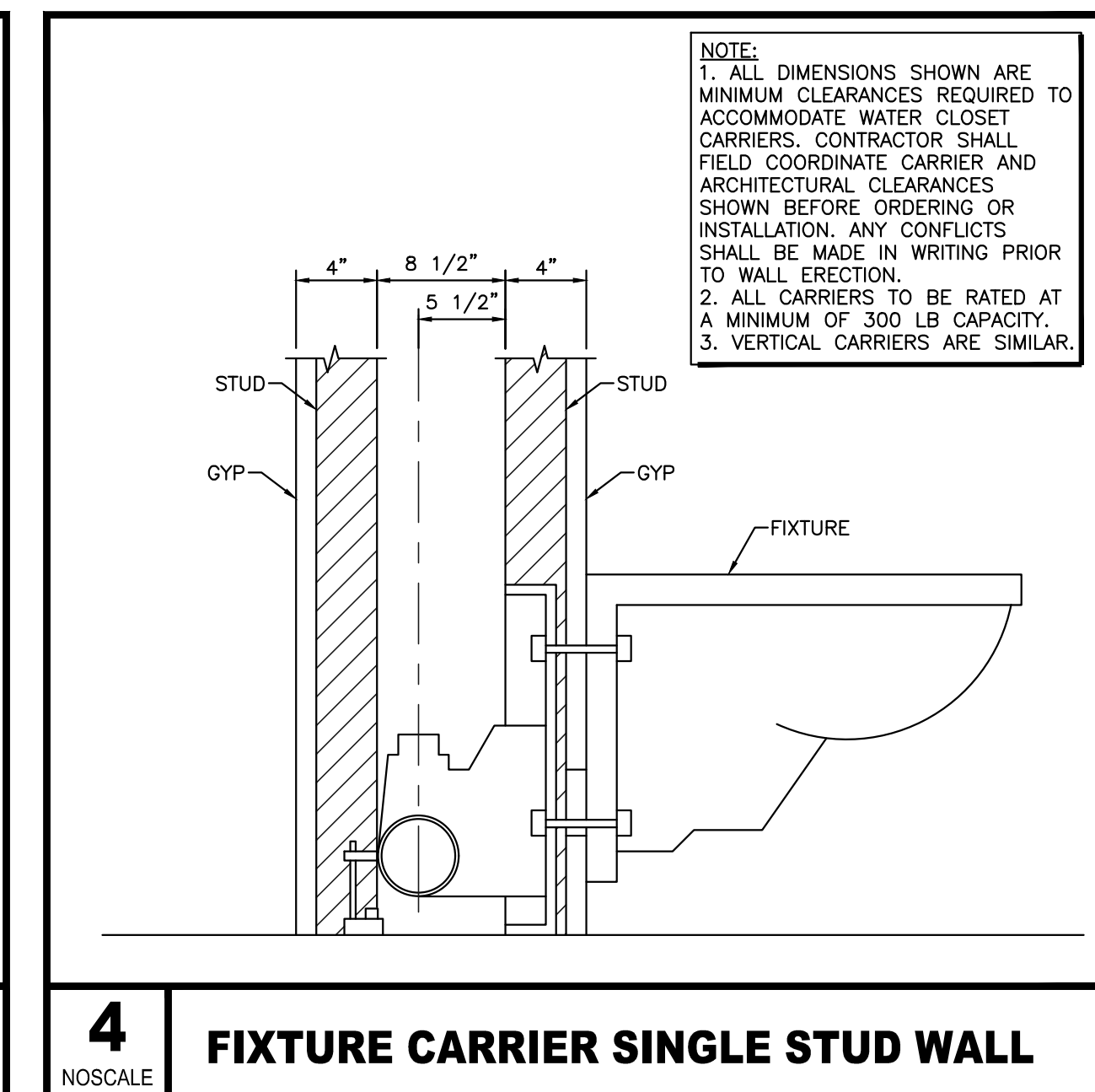
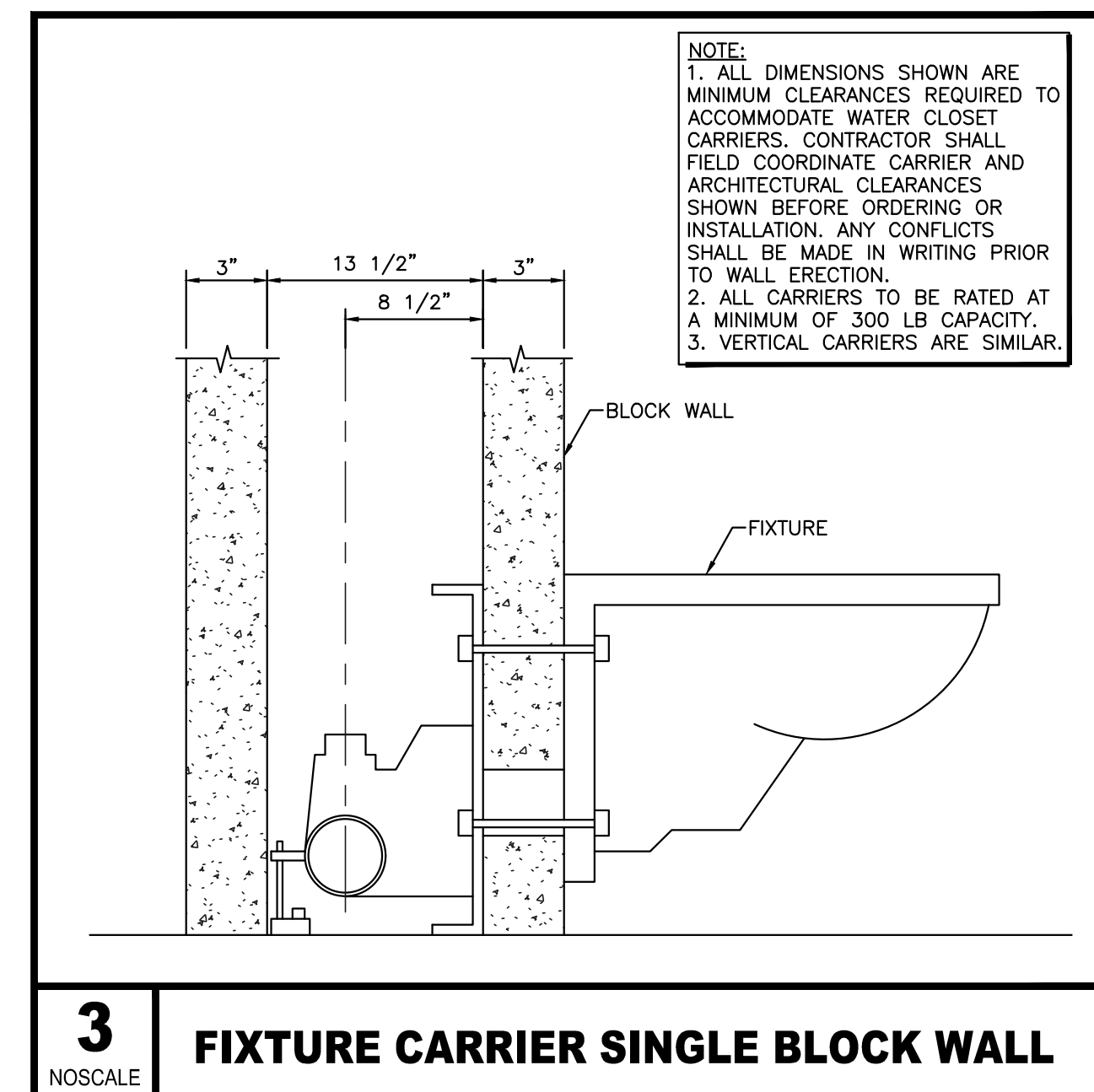
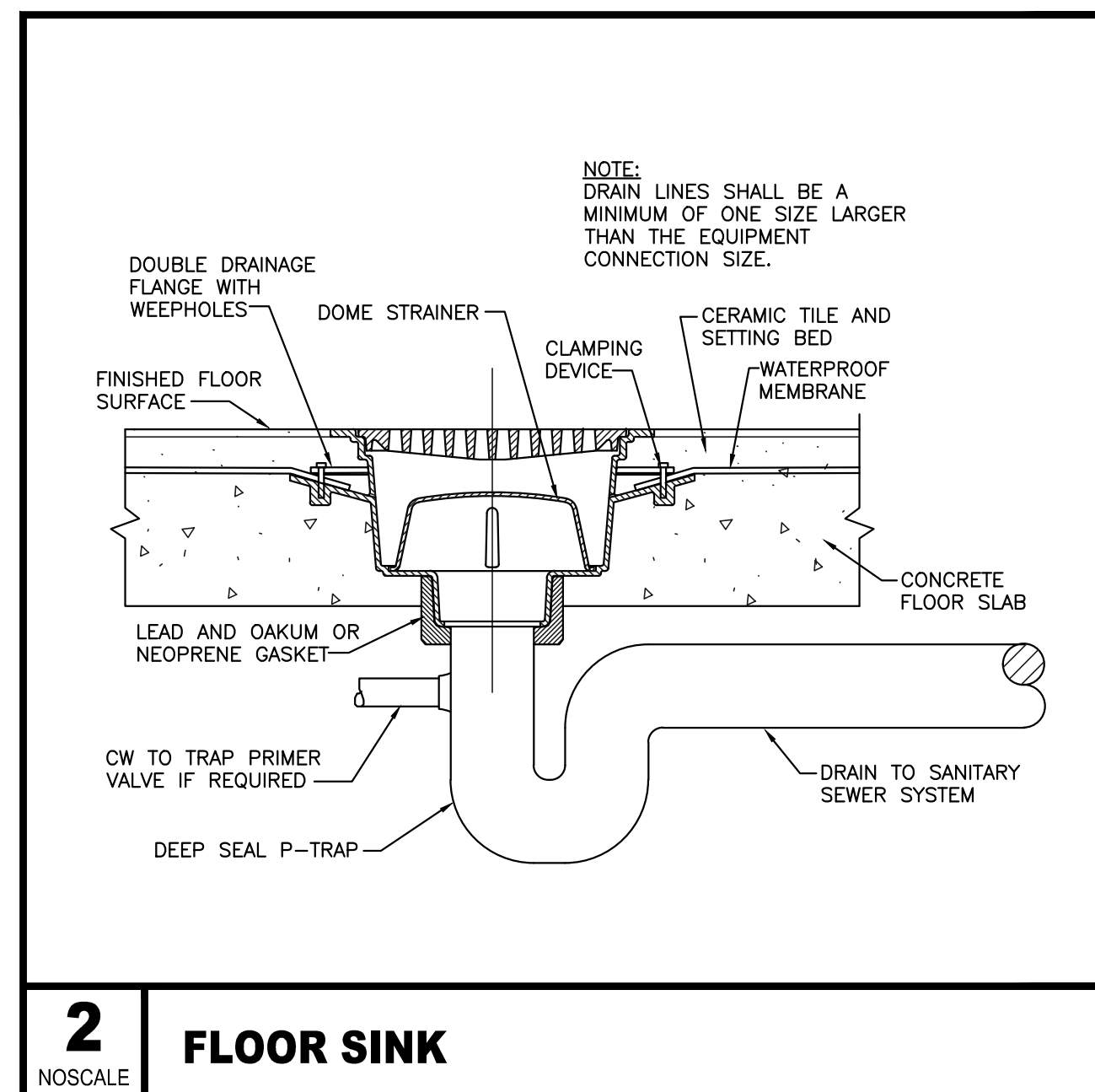
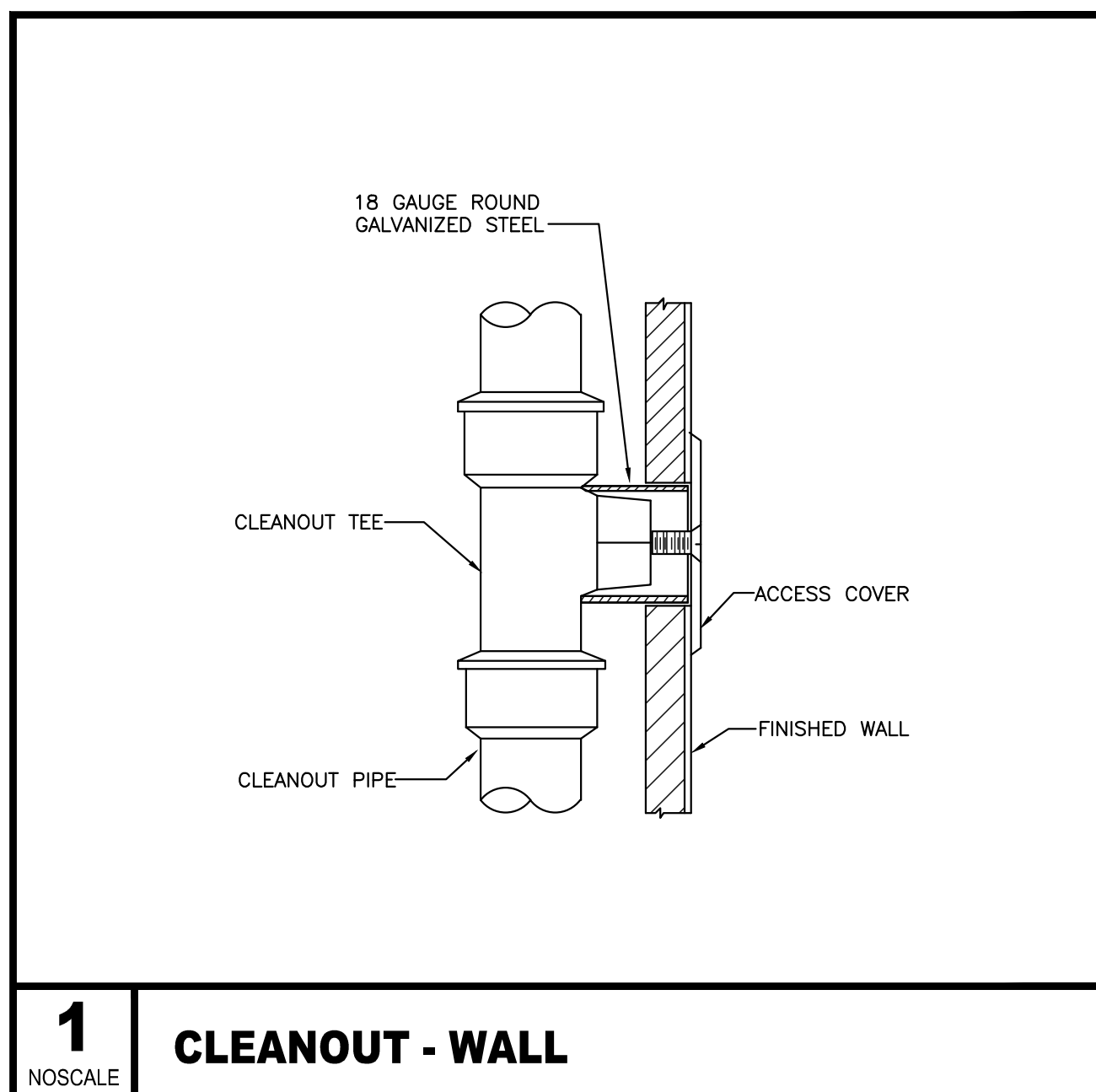
J:\PROJECTS\2017\1701010567_COW_STRYKER_170607_CAD\SHOTS\1800_MESSSTADIUM_PACKAGER\UMR\SP3.WATER & GAS PLAN.DWG

PLUMBING FIXTURE SCHEDULE		MFG		MODEL		MATERIAL		COLOR		SIZE DN		MOUNTING		VALVE				TRIM				PIPE ROUGH-IN SIZE				REMARKS
MARK	FIXTURE TYPE	MFG	MODEL	MATERIAL	COLOR	SIZE DN	MOUNTING	MFG	MODEL	GPM/GPF	FINISH	DESCRIPTION	MFG	MODEL	MATERIAL	FINISH	DRAIN	P-TRAP	WASTE	VENT	DOW	DHW	REMARKS			
2*FD	2" FLOOR DRAIN	ZURN	Z4158	CI	NB	SEE PLANS	FLOOR	---	---	---	---	---	---	---	---	---	---	---	---	---	---	---	3,7			
EW-1	FREEZE PROOF WATER FOUNTAIN	ELKAY	LK4405	ST	ST	---	WALL	---	---	---	---	---	---	---	---	---	---	1 1/2"	2"	1 1/2"	1/2"	---	11			
LAV-1	ADA LAVATORY	KOHLER	K-2005	VC	WH	20x18	WALL	---	---	---	---	FAUCET	DELTA	5911220	BRASS	PC	CP METAL GRID DRAIN	1 1/4"	2"	1 1/2"	1/2"	1/2"	2,5,8			
LAV-2	LAVATORY	KOHLER	K-2005	VC	WH	20x19	WALL	---	---	---	---	FAUCET	DELTA	5911220	BRASS	PC	CP METAL GRID DRAIN	1 1/4"	2"	2 1/2"	1/2"	1/2"	2,5,9			
HS-1	HAND SINK	KOHLER	K-2005	VC	WH	20x19	WALL	---	---	---	---	FAUCET	DELTA	2171LF-WBHDF	BRASS	PC	CP METAL GRID DRAIN	1 1/4"	2"	2 1/2"	1/2"	1/2"	2,5,8			
TG-1	ELASTOMERIC TRAP GUARD	SURE SEAL	---	EN	ST	SEE PLANS	---	---	---	---	---	---	---	---	---	---	---	---	---	---	---	---	3			
WC-1	ADA WALL MOUNT WATER CLOSET	KOHLER	K-4325	VC	WH	---	WALL	SLOAN	8111-1.6/1.1	1.6/1.1	PC	TOILET SEAT	KOHLER	K-4670-CA	PLASTIC	WH	---	---	4"	2"	1 1/4"	---	1,4,8,10			
WC-2	WALL MOUNT WATER CLOSET	KOHLER	K-4325	VC	WH	---	WALL	SLOAN	8111-1.6/1.1	1.6/1.1	PC	TOILET SEAT	KOHLER	K-4670-CA	PLASTIC	WH	---	---	---	---	---	---	---	1,4,9,10		
UR-1	ADA URINAL	KOHLER	K-4991-ET	VC	WH	SEE PLANS	WALL	SLOAN	186-1 XL SMO	1	CP	---	---	---	---	---	---	---	2"	2"	3/4"	---	8			
UR-2	URINAL	KOHLER	K-4991-ET	VC	WH	SEE PLANS	WALL	SLOAN	186-1 XL SMO	1	CP	---	---	---	---	---	---	---	---	2"	2"	3/4"	---	9		
4*RD	4" ROOF DRAIN	ZURN	Z105	ST	ST	4"	ROOF	---	---	---	---	---	---	---	---	---	---	---	---	---	---	---	---			
4*ORD	4" OVERFLOW ROOF DRAIN	ZURN	Z105	ST	ST	4"	ROOF	---	---	---	---	---	---	---	---	---	---	---	---	---	---	---	---	---		
DSN-1	DOWN SPOUT NOZZLE	ZURN	Z199	ST	ST	---	WALL	---	---	---	---	---	---	---	---	---	---	---	---	---	---	---	---	---		
WCD-1	WALL CLEANOUT	ZURN	Z1441	SS	ST	SEE PLANS	WALL	---	---	---	---	---	---	---	---	---	---	---	---	---	---	---	---	---		
FCD-1	FINISH CLEANOUT	ZURN	Z1400	ST	ST	---	FLOOR/GRADE	---	---	---	---	---	---	---	---	---	---	---	---	---	---	---	---	---		
ECD-1	END CLEANOUT	ZURN	Z1440	ST	ST	---	PIPING	---	---	---	---	---	---	---	---	---	---	---	---	---	---	---	---	---		

PLUMBING FIXTURE SCHEDULE ABBREVIATIONS		PLUMBING REMARKS		PLUMBING FIXTURE SCHEDULE GENERAL NOTES	
MARK	DESCRIPTION	REMARKS	DESCRIPTION	REMARKS	DESCRIPTION
ST	MFG STANDARD FINISH	1	REFER TO ARCHITECTURAL PLANS FOR DIMENSIONED LOCATIONS OF WATER CLOSETS.	1.	UNLESS OTHERWISE NOTED, PC SHALL PROVIDE, INSTALL, & CONNECT ALL SCHEDULED PLUMBING FIXTURES. INSTALL PER MFG INSTRUCTIONS.
WH	WHITE	2	PROVIDE ANGLE STOPS AT FIXTURE ROUGH-IN.	2.	REFER TO ARCHITECTURAL PLANS & ELEVATIONS FOR INSTALLATION HEIGHTS OF ALL PLUMBING FIXTURES.
CP	CHROME PLATED	3	INSTALL TRAP GUARD SYSTEM (TG-1) AT ALL NEW FLOOR DRAINS AND FLOOR SINKS.	3.	CARRIERS SHALL BE PROVIDED & INSTALLED FOR ALL WALL HUNG PLUMBING FIXTURES.
PC	POLISHED CHROME	4	PROVIDE WITH WHITE OPEN-FRONT SEAT, LESS COVER.	4.	ADA WATER CLOSETS SHALL BE PROVIDED WITH FLUSH LEVER ON THE WIDE SIDE OF THE COMPARTMENT.
NB	NICKEL BRONZE	5	IF FIXTURE SKIRT IS NOT SPECIFIED BY THE ARCHITECT, PROVIDE TRUEBORO LAV GUARD SYSTEM.	5.	ADA SINKS SHALL BE PROVIDED WITH REAR CENTERED DRAIN OPENINGS.
SS	STAINLESS STEEL	6	PROVIDE WITH POINT OF USE MIXING VALVE LEONARD MODEL 270 OR EQUAL.	6.	ADA SINKS NOT PROTECTED BY AN ARCHITECTURAL SKIRT PANEL SHALL BE PROVIDED WITH UNDERSINK PIPING COVERS EQUAL TO TRUEBORO LAVGUARD 2.
CI	CAST IRON	7	FLOOR DRAIN/SINK P-TRAP TO MATCH OUTLET SIZE OF FIXTURE. FIXTURE OUTLET TO MATCH PIPE SIZE SHOWN ON PLAN.	7.	UNLESS OTHERWISE NOTED, PIPING CONNECTION SIZES OF ALL FLOOR DRAINS, FLOOR SINKS, & CLEANOUTS SHALL MATCH PIPING RUNOUT SIZE SHOWN ON PLANS.
BR	BRASS	8	MOUNT FIXTURE AT ADA HEIGHT.	8.	SINK TO BE PROVIDED WITH 6" RADIUS GOOSENECK FAUCET, 4" BLADE HANDLES, AND VANDAL RESISTANT 1.5 GPM DRAIN.
VC	VITREOUS CHINA	9	MOUNT FIXTURE AT STANDARD (NON ADA) HEIGHT.		
MS	MOLDED STONE	10	PROVIDE WITH WATTS MODEL ISCA-101-L/R-AUX OR EQUAL WATER CLOSET CARRIER.		
BSS	BRUSHED STAINLESS STEEL	11	COORDINATE FIXTURE COLOR WITH ARCHITECT.		
CS	GALVANIZED STEEL				
EN	ELASTOMERIC NEOPRENE				

HOT WATER RECIRC PUMP SCHEDULE										
MARK	MANUFACTURER	MODEL	TYPE	LOCATION	MINIMUM CAPACITY		MOTOR DATA			REMARKS
					GPM	HEAD (FT)	VOLTS	PHASE	HP	
RCP-1	BELL & GOSSET	LR-158	IN-LINE	MECH RM	4	10	120	1	1/2	1

REMARKS:
1. PROVIDE AND INSTALL PUMP WITH ISOLATION VALVES ON EITHER SIDE OF PUMP.
2. PUMP SHALL HAVE A BRONZE BODY AND MUST BE APPLICABLE FOR DOMESTIC WATER USE.
3. PROVIDE AQUASTAT WITH PUMP AND COORDINATE WITH ELECTRICAL CONTRACTOR.



©2018 MKEC Engineering All Rights Reserved. These drawings and their contents, including but not limited to, all concepts, designs, & notes are the exclusive property of MKEC Engineering (MKEC), and may not be used or reproduced in any way without the express consent of MKEC.

PLUMBING DETAILS & SCHEDULES

PROJECT NO.	1701010567
DATE	03-07-18
SCALE	AS NOTED
DESIGNED	CJK
DRAWN	CJK
CHECKED	RLB

NO.	REVISION	DATE