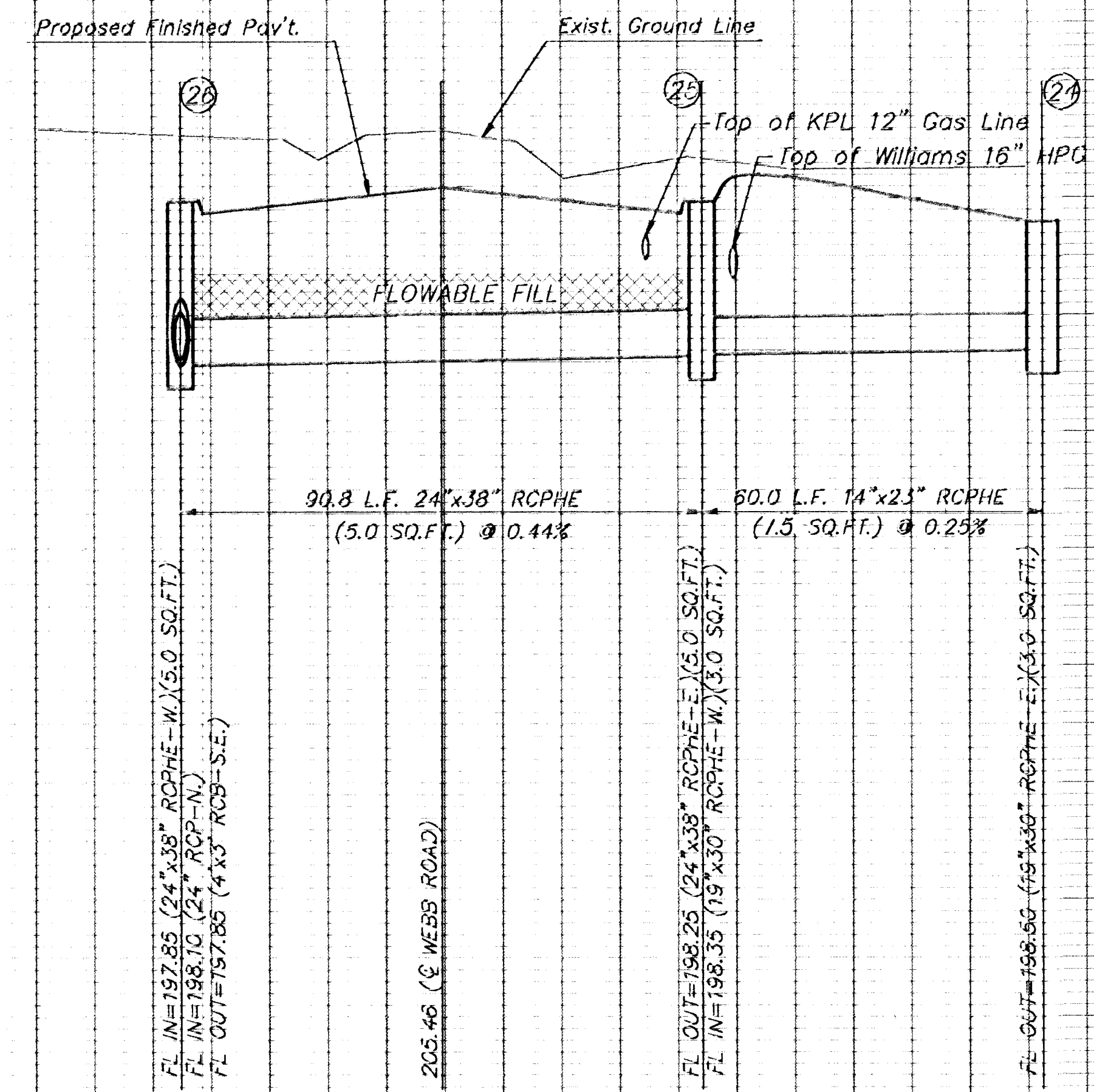


| FHWA REGION NO. | STATE | PROJECT NO. | YEAR | SHEET NO. | TOTAL SHEETS |
|-----------------|-------|--------------|------|-----------|--------------|
| 7 | KS. | 87-U-1362-01 | 1993 | 8 | 149 |

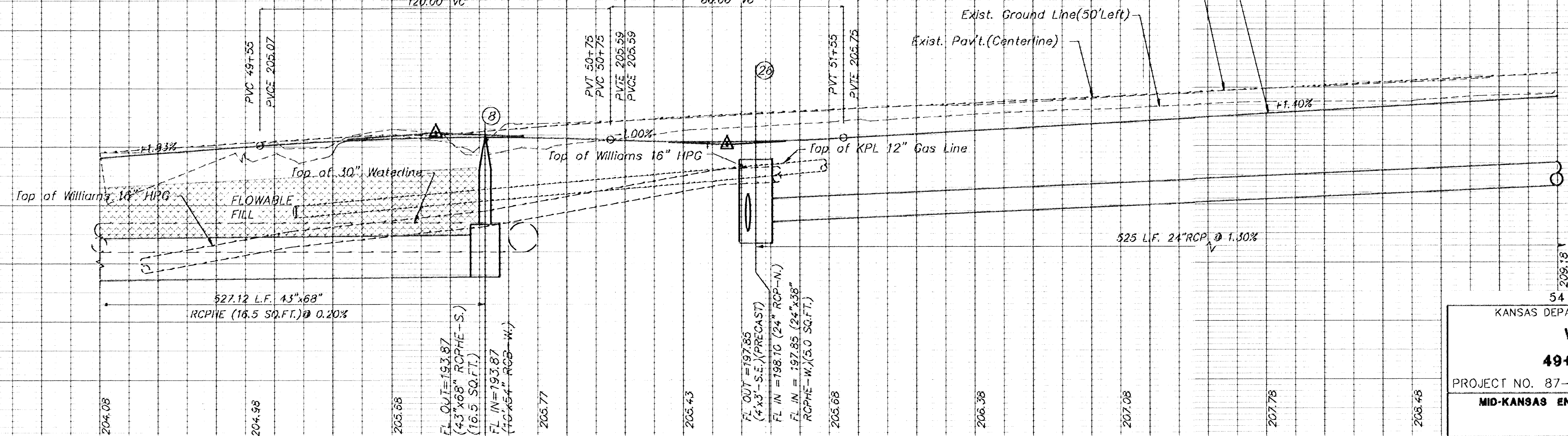
210
205
200
195
215
210
205
200
195

210
205
200
195
215
210
205
200
195



HIGH POINT ELEV = 205.89
HIGH POINT STA = 50+53.06
PVI STA = 50+15
PVI ELEV = 208.19
A.D. = 2.83
K = 42.41
120.00' VC

LOW POINT ELEV = 205.42
LOW POINT STA = 51+08.53
PVI STA = 51+15
PVI ELEV = 205.19
A.D. = -2.40
K = 33.33
80.00' VC



49 204.08 204.98 205.68 205.77 50 205.43 205.68 206.38 207.08 51 205.43 205.68 206.38 207.08 52 207.78 208.48 53

KANSAS DEPARTMENT OF TRANSPORTATION
WEBB ROAD
49+00 TO 54+00
PROJECT NO. 87-U-1362-01 SEDGWICK CO.
MID-KANSAS ENGINEERING CONSULTANTS, INC.
WICHITA, KANSAS

DESIGNED BY: GJA CHECKED BY: DLH & KJS
DRAWN BY: ALN DATE: SHEET 8 OF 149