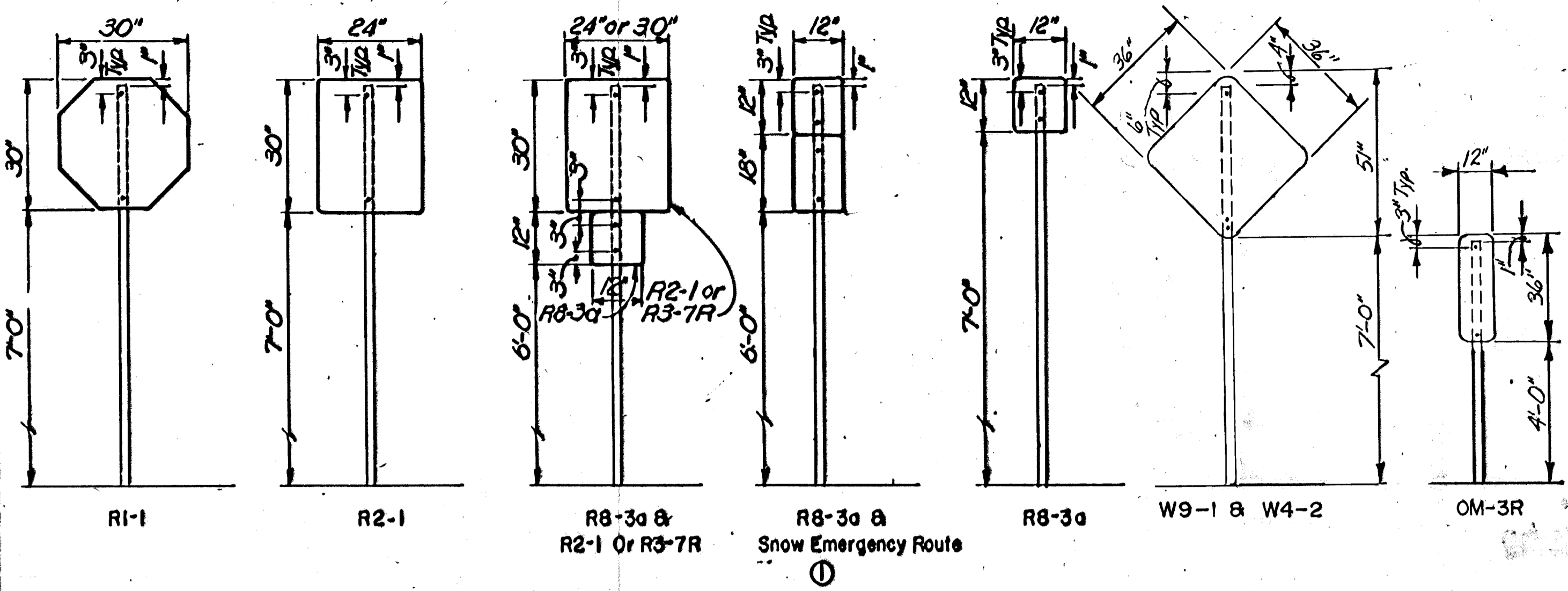


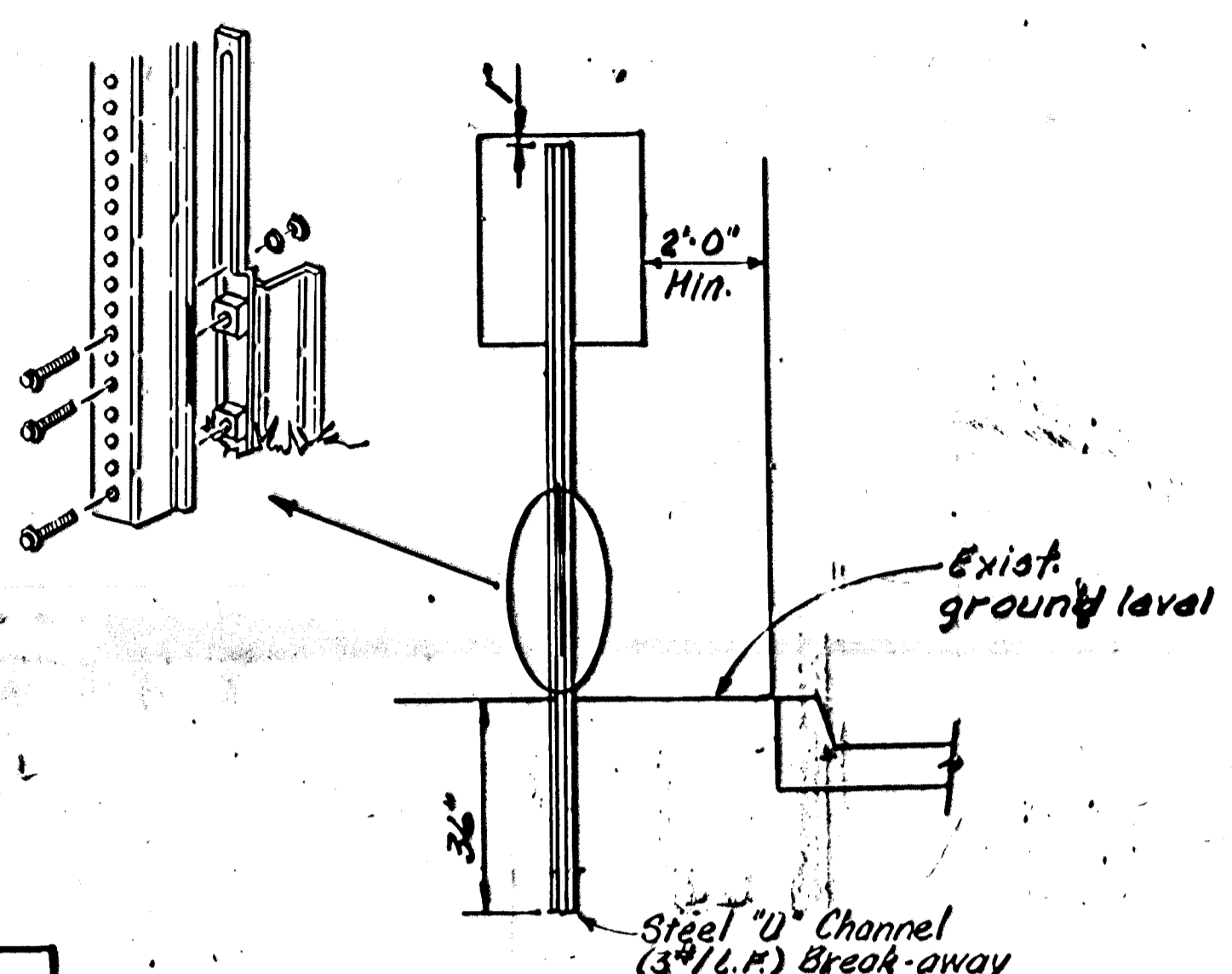
**TRAFFIC CONTROL SIGNS & SIGN POSTS**

Station	Location from C	Classification - Each										Sign Post Length		
		R1-1	S-1	R2-1	R3-7R	R8-3a	⓪	ⓑ	RI-2	OM-3R	W4-2	W9-1	Breakaway Length 1/4" x 1/4" x Varies	U-Channel
11+81					X									
11+80													X	
13+80					X									
13+00													X	
16+94			X											
18+14														
18+35													X	
19+35													X	
20+35													X	
21+35													X	
40+65													X	
41+65													X	
42+65													X	
43+65													X	
43+75													X	
48+75			X											
47+25													X	
48+45													X	
58+05			X											
57+78													X	
58+32													X	
58+88													X	
65+94			X											
67+50				X										
69+12		X												
69+93		X												
70+10													X	
78+55					X									
78+60													X	
81+00			X											
88+72		X												
87+61			X											
90+00				X										
90+08													X	
Total		3	6	5								18	2	2

FHYA REGION NO.	STATE	PROJECT NO.	YEAR	SHEET NO.	TOTAL SHEETS
7	KANSAS	87-U-1362-01	1983	103	149



**SIGN MOUNTING DETAILS**



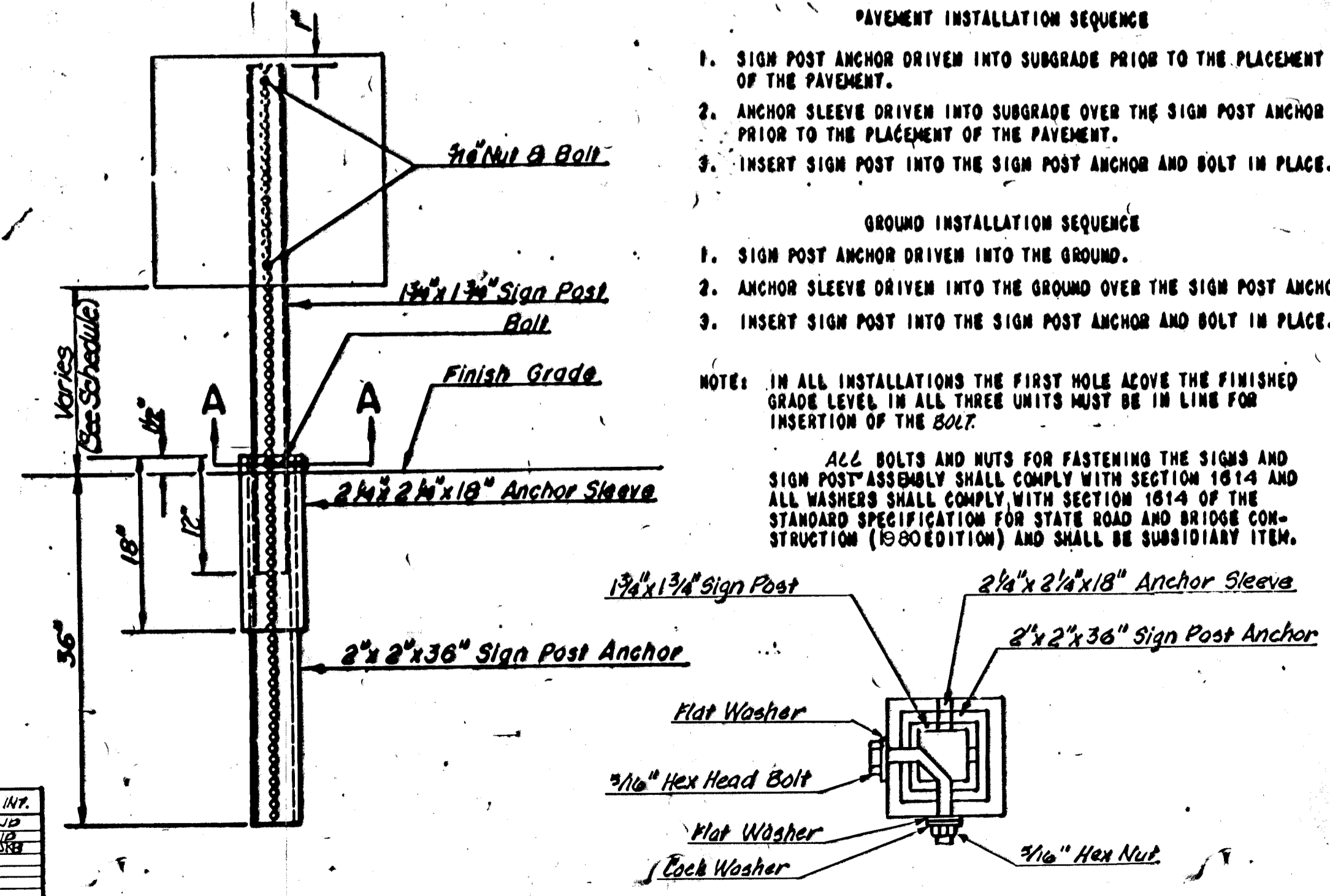
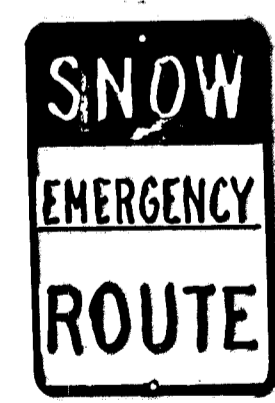
**TRAFFIC SIGN INSTALLATION DETAIL**  
FOR SIGNS NOT GREATER THAN 12" WIDE

SIGN POST LENGTH SUMMARY	
BREAKAWAY SIGN POST 1 3/4" x 1 3/4" x Varies	
LENGTH	TOTAL # POSTS
9'	34
2 1/4" x 2 1/4" x 18"	34
2" x 2" x 36"	34
U-CHANNEL	
LENGTH	TOTAL # POSTS
Stubs 3'	
Posts 8'	
Posts 9'	
Posts 9-1/2'	
Posts 11'	
Straps & Bolts	

RECAPITULATION OF MATERIALS		
ITEMS	TOTAL	UNIT
Sign Face, High Intensity HA Reflective Sheeting)		S.F.
Steel U-Channel Sign Post		L.F.
Breakaway Sign Post, 1 3/4" x 1 3/4" x Varies	306	L.F.
Breakaway Anchorsleeve, 2 1/4" x 2 1/4" x 18"	34	L.F.
Breakaway Sign Post Anchor, 2" x 2" x 36"	102	L.F.

SUMMARY OF QUANTITIES		
BID ITEMS	TOTAL	UNIT
Signing		

SIGN DESCRIPTION				
CLASSIFICATION	TYPE	PROCESS	SIZE	AREA
R1-1	STOP SIGN	REVERSE SCREEN	30" x 30"	5.18 SQ. FT.
R3-7R	RT. LANE MUST TURN RT.	DIRECT SCREEN	30" x 30"	6.25 SQ. FT.
R8-3a	NO PARKING	DIRECT SCREEN	12" x 12"	1.00 SQ. FT.
R2-1	SPEED LIMIT	DIRECT SCREEN	24" x 30"	5.00 SQ. FT.
⓪	SNOW EMERGENCY ROUTE	DIRECT SCREEN	12" x 18"	1.50 SQ. FT.
ⓑ	NO PARKING/BUS STOP	DIRECT SCREEN	12" x 24"	2.00 SQ. FT.
		DIRECT SCREEN	24" x 36"	6.00 SQ. FT.
		DIRECT SCREEN	36" x 36" x 36"	4.50 SQ. FT.
OM-3R	OBJECT MARKER	DIRECT SCREEN	12" x 36"	3.00 SQ. FT.
W4-2	PAVEMENT TRANSITION	DIRECT SCREEN	36" x 36"	9.00 SQ. FT.
W9-1	LANE ENDS	DIRECT SCREEN	36" x 36"	9.00 SQ. FT.



**SECTION A-A**  
**BREAK-AWAY SIGN POST DETAIL**

- PAVEMENT INSTALLATION SEQUENCE**
- SIGN POST ANCHOR DRIVEN INTO SUBGRADE PRIOR TO THE PLACEMENT OF THE PAVEMENT.
  - ANCHOR SLEEVE DRIVEN INTO SUBGRADE OVER THE SIGN POST ANCHOR PRIOR TO THE PLACEMENT OF THE PAVEMENT.
  - INSERT SIGN POST INTO THE SIGN POST ANCHOR AND BOLT IN PLACE.

- GROUND INSTALLATION SEQUENCE**
- SIGN POST ANCHOR DRIVEN INTO THE GROUND.
  - ANCHOR SLEEVE DRIVEN INTO THE GROUND OVER THE SIGN POST ANCHOR.
  - INSERT SIGN POST INTO THE SIGN POST ANCHOR AND BOLT IN PLACE.

NOTE: IN ALL INSTALLATIONS THE FIRST HOLE ABOVE THE FINISHED GRADE LEVEL IN ALL THREE UNITS MUST BE IN LINE FOR INSERTION OF THE BOLT.

ALL BOLTS AND NUTS FOR FASTENING THE SIGNS AND SIGN POST ASSEMBLY SHALL COMPLY WITH SECTION 101.4 AND ALL WASHERS SHALL COMPLY WITH SECTION 101.4 OF THE STANDARD SPECIFICATION FOR STATE ROAD AND BRIDGE CONSTRUCTION (1980 EDITION) AND SHALL BE SUBSIDIARY ITEM.

NOTE: ALL LETTER, NUMBER & SYMBOL SIZES, SPACING & COLORS AND THE SIGN COLORS SHALL CONFORM TO THE CURRENT "MANUAL ON UNIFORM TRAFFIC CONTROL DEVICES."  
ALL SIGN MATERIAL TO BE 0080 ALUMINUM.

REV	DATE	COMMENTS	INT.
1	10/83	ADD BREAKAWAY SIGN DETAILS - SEE BOLT	JIP
2	11/83	REV. BREAKAWAY ANCHOR DETAIL - SEE BOLT	JIP
3	12/83	REV. SIGN INSTALLATION DETAIL	JIP

**WICHITA, KANSAS**

**SIGNING DETAILS**

JOB NO.	DATE	CHKD	SHEET NO.
SCALE: None	DRAWN	APPROV	103 of 149

MASTER DWG - KEEP 103