

FHWA REGION NO.	STATE	PROJECT NO.	YEAR	SHEET NO.	TOTAL SHEETS
7	KS.	87-U-1362-01	1993	108	149

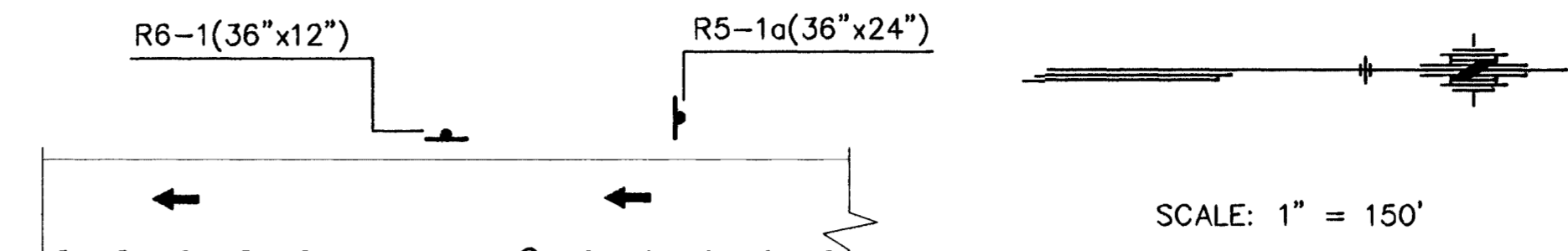
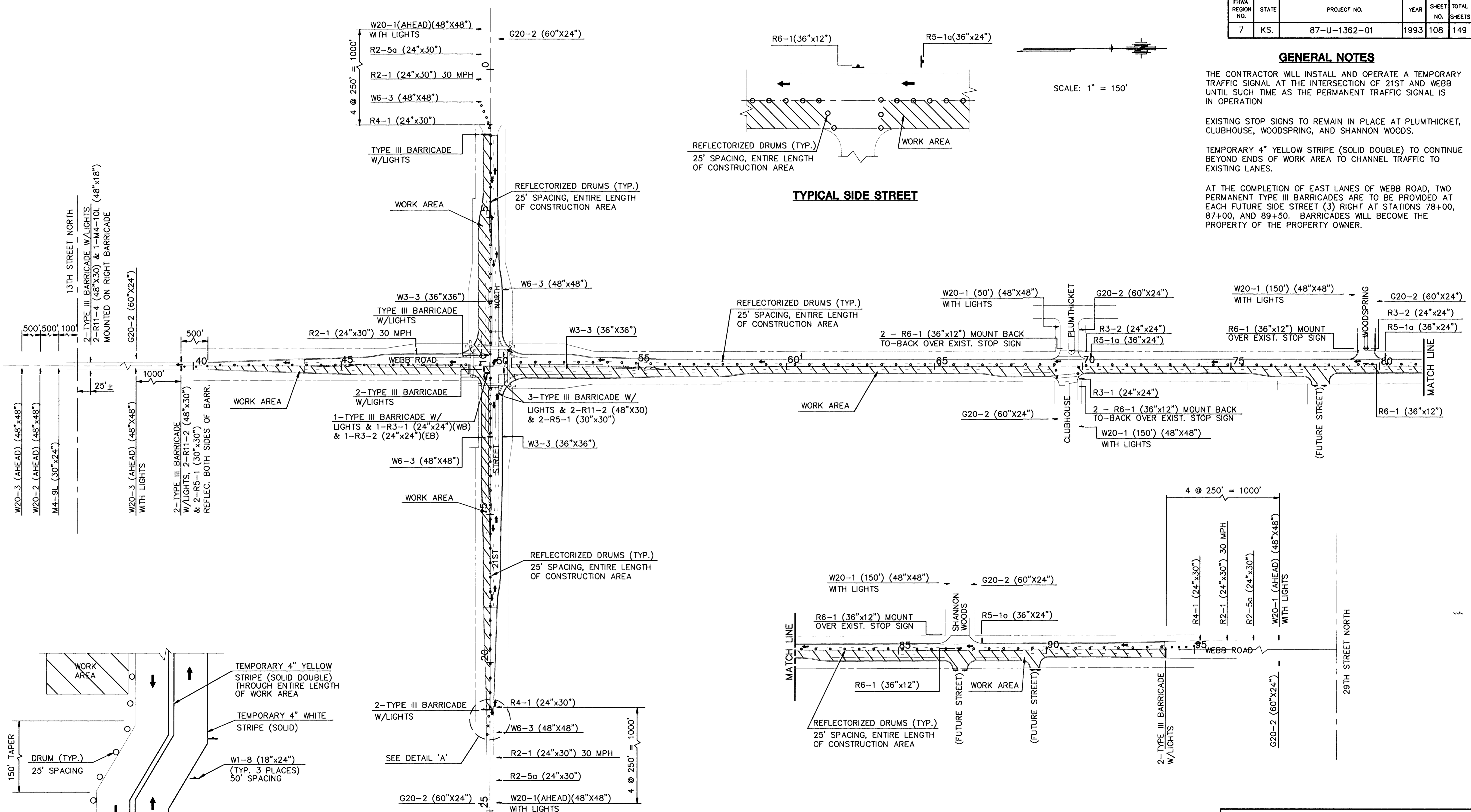
GENERAL NOTES

THE CONTRACTOR WILL INSTALL AND OPERATE A TEMPORARY TRAFFIC SIGNAL AT THE INTERSECTION OF 21ST AND WEBB UNTIL SUCH TIME AS THE PERMANENT TRAFFIC SIGNAL IS IN OPERATION

EXISTING STOP SIGNS TO REMAIN IN PLACE AT PLUMTHICKET, CLUBHOUSE, WOODSPRING, AND SHANNON WOODS.

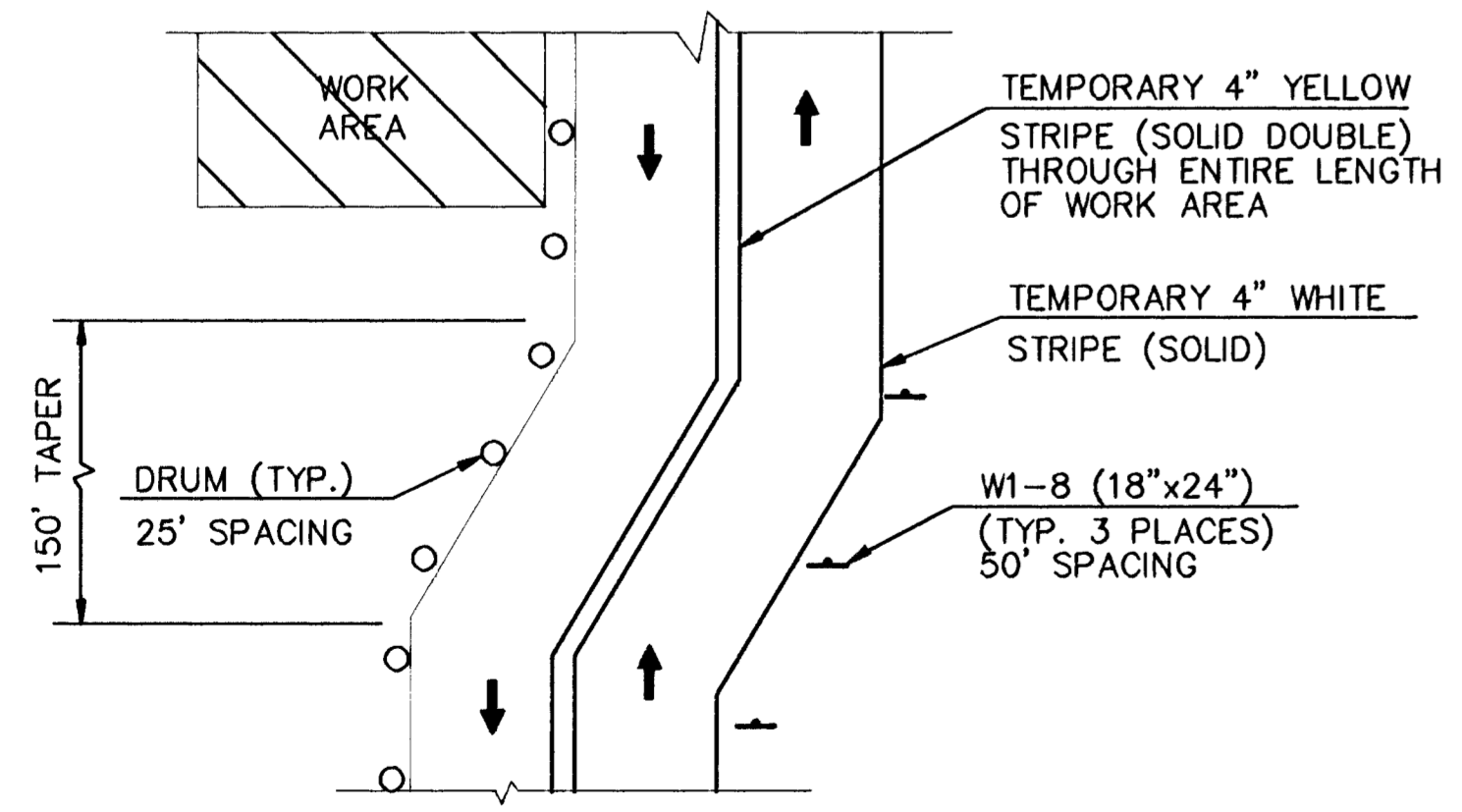
TEMPORARY 4" YELLOW STRIPE (SOLID DOUBLE) TO CONTINUE BEYOND ENDS OF WORK AREA TO CHANNEL TRAFFIC TO EXISTING LANES.

AT THE COMPLETION OF EAST LANES OF WEBB ROAD, TWO PERMANENT TYPE III BARRICADES ARE TO BE PROVIDED AT EACH FUTURE SIDE STREET (3) RIGHT AT STATIONS 78+00, 87+00, AND 89+50. BARRICADES WILL BECOME THE PROPERTY OF THE PROPERTY OWNER.



TYPICAL SIDE STREET

SCALE: 1" = 150'



DETAIL 'A'

KANSAS DEPARTMENT OF TRANSPORTATION
WEBB ROAD
TRAFFIC CONTROL
PHASE III
 PROJ. NO. 87-U-1362-01 SEDGWICK COUNTY
MID-KANSAS ENGINEERING CONSULTANTS, INC.
 WCHITA, KANSAS

DESIGNED BY: GJA	CHECKED BY: KJS
DRAWN BY: DPR	DATE: 11-16-92 SHEET 108 OF 149