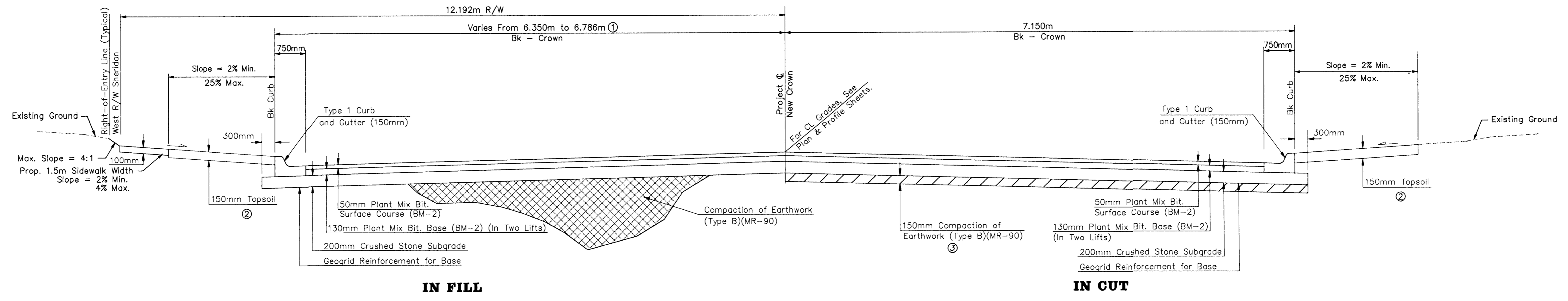
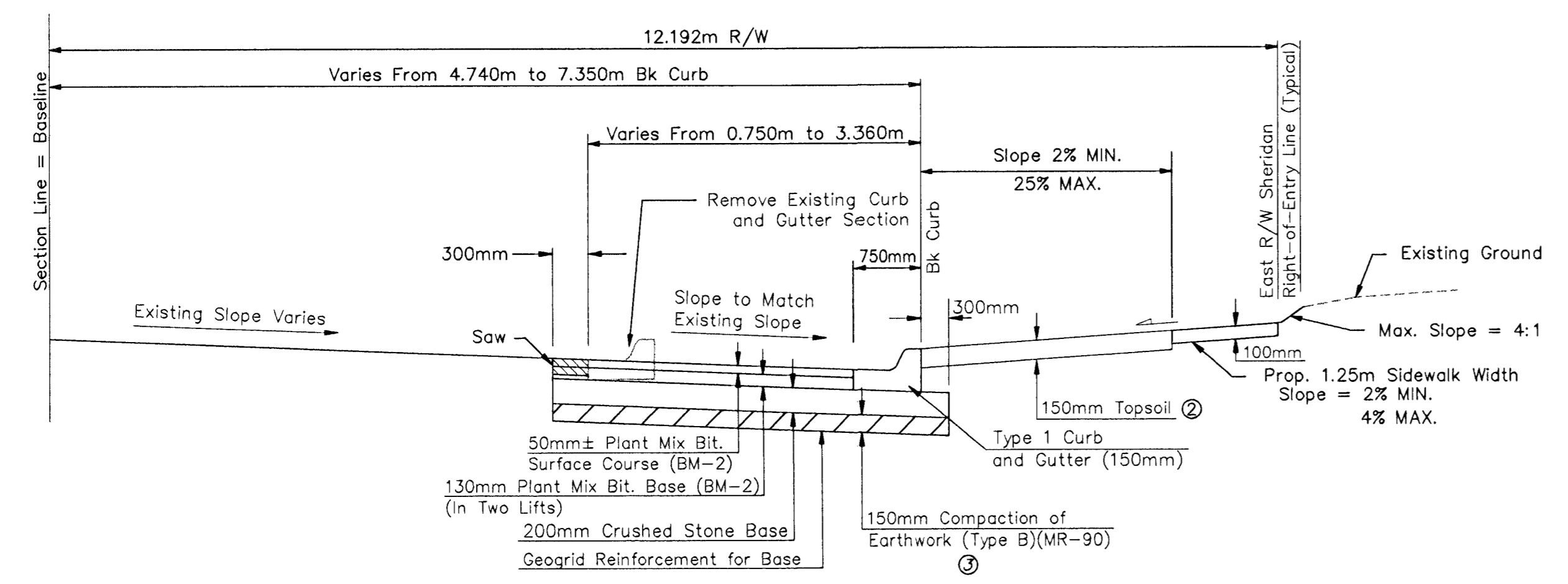


FHWA REGION NO.	STATE	PROJECT NO.	FISCAL YEAR	SHEET NO.	TOTAL SHEETS
7	KANSAS	87N-0094-01	1998	5	202

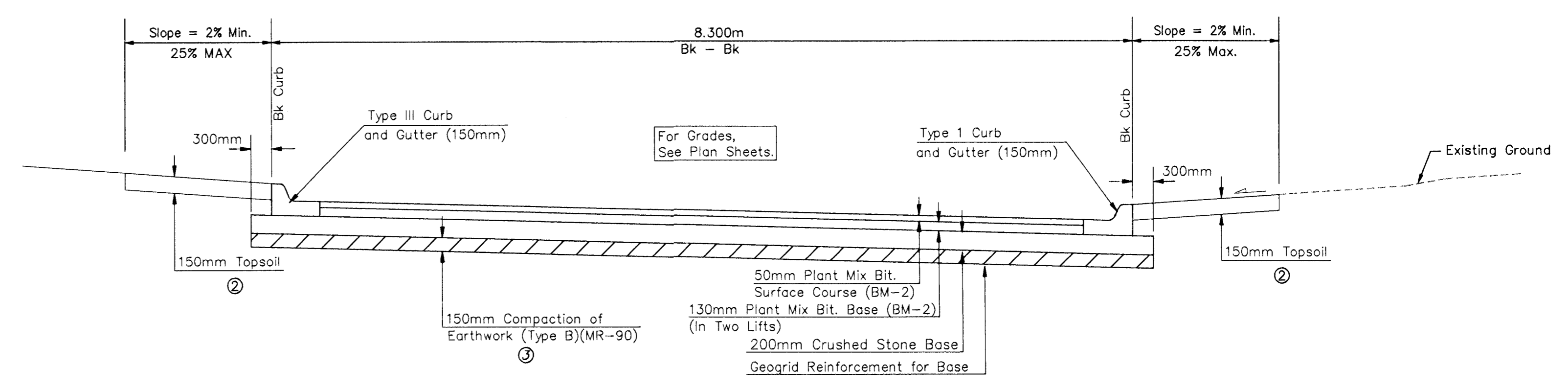
# TYPICAL PAVEMENT SECTION



**TYPICAL SECTION (SHERIDAN)**  
STA. 0+518.324 TO STA. 0+549.249



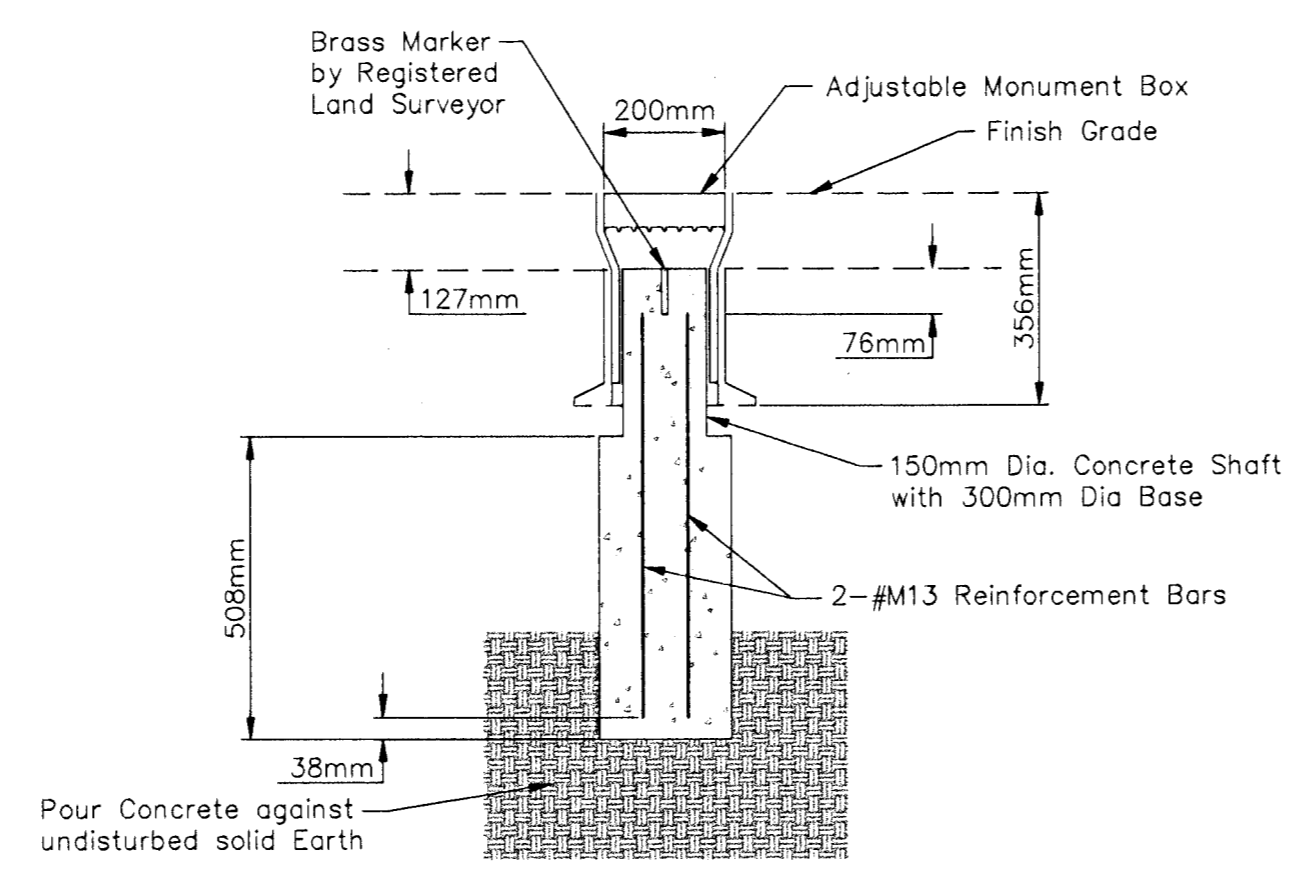
**TYPICAL SECTION (SHERIDAN)**  
STA. 0+430.000 TO STA. 0+481.900



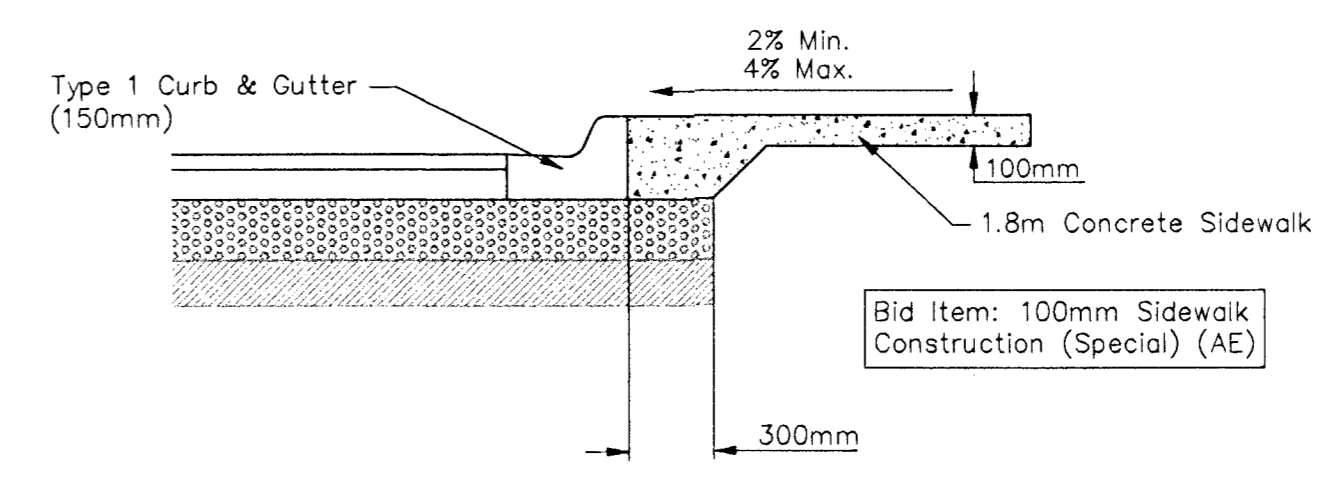
**TYPICAL SECTION (ZOO BLVD)**  
STA. 0+034.325 TO STA. 0+088.267

**NOTES:**

- ① Varies from 6.350m Lt. at Sta 0+541.739 to 6.786m Lt. at Sta 0+549.739.
- ② General contractor is responsible for installing 150mm topsoil to finish grade (both sides), to be completed before landscaping is installed.
- ③ 150mm subgrade compaction (Type B) (MR-90) in cut sections is SUBSIDIARY to other earthwork items.



**MONUMENT BOX**



**SIDEWALK DETAIL ADJACENT TO CURB**

