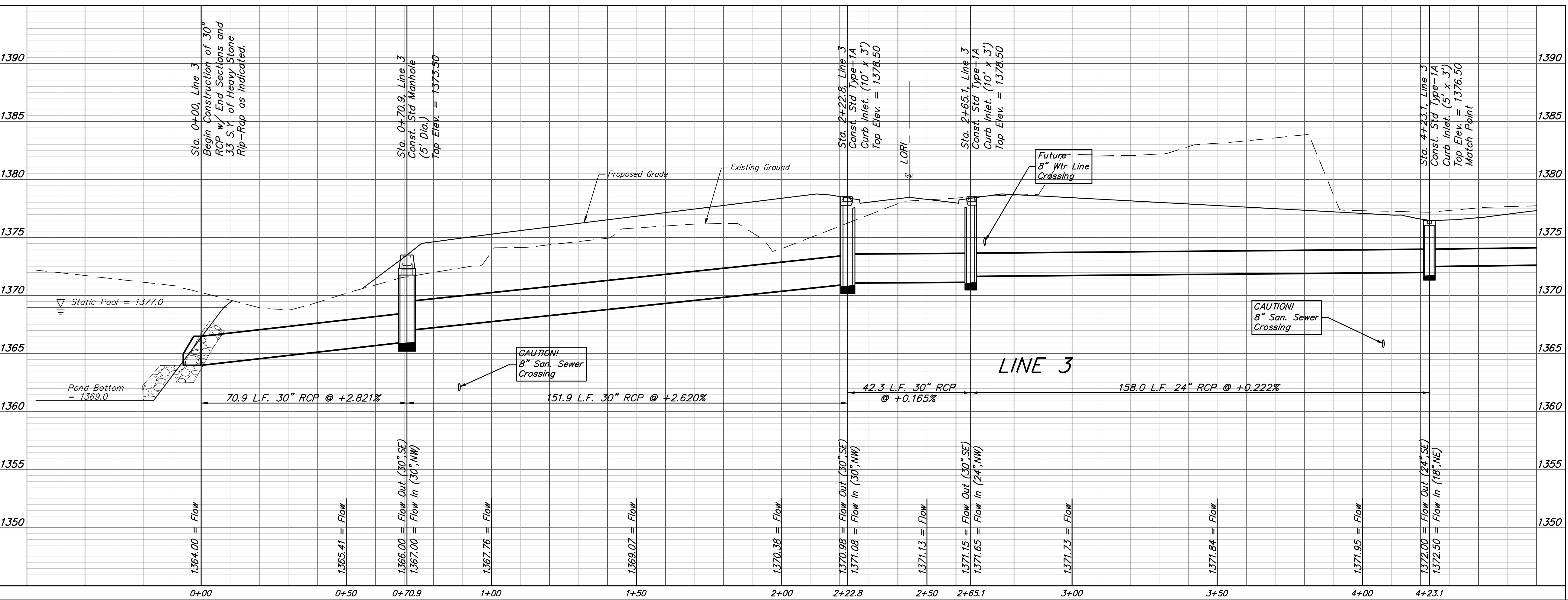
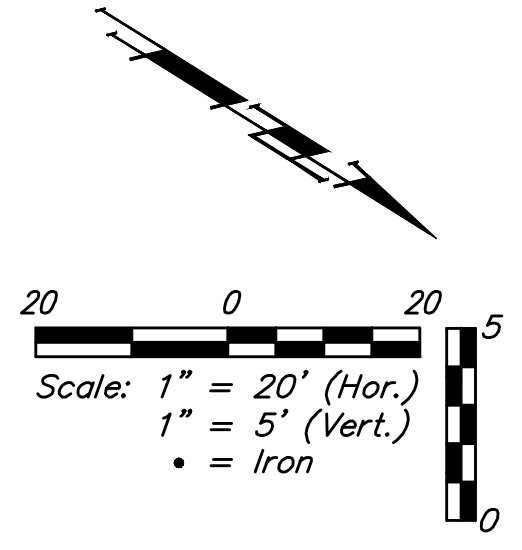
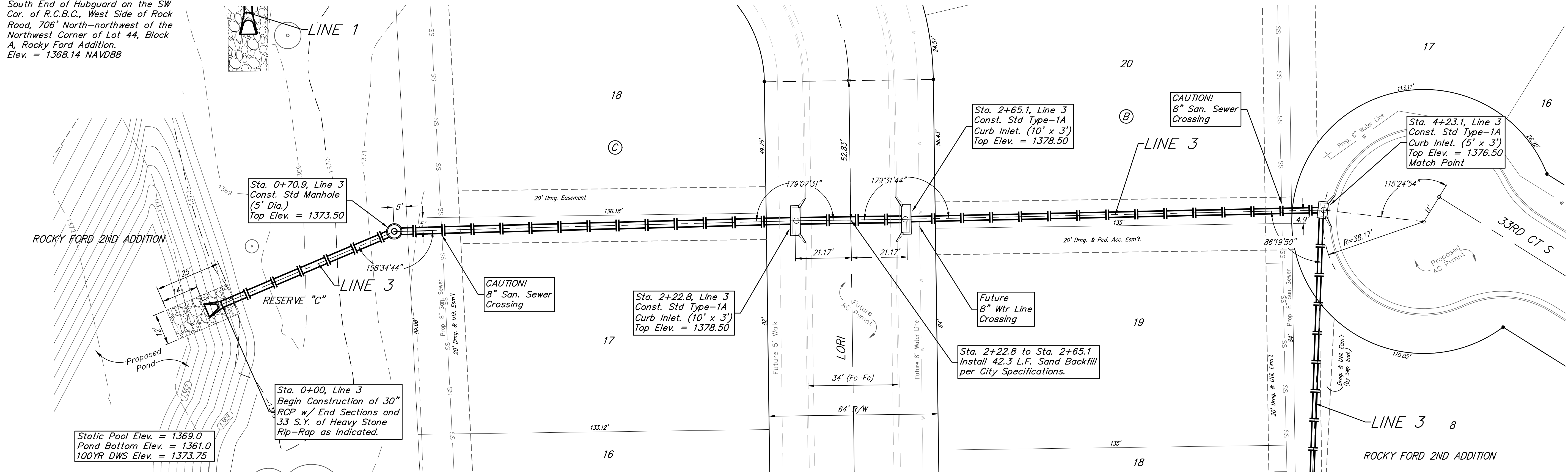


BENCHMARK:
 City of Wichita Benchmark Disk at South End of Hubguard on the SW Cor. of R.C.B.C., West Side of Rocky Road, 706' North-northwest of the Northwest Corner of Lot 44, Block A, Rocky Ford Addition.
 Elev. = 1368.14 NAVD88



		Rocky Ford 2nd Addition LINE 3 STORMWATER DRAIN #433	
		<small>Baughman Company, P.A. 315 Ellis St. Wichita, KS 67211 P 316-262-7271 F 316-262-0149 ENGINEERING SURVEYING PLANNING LANDSCAPE ARCHITECTURE</small>	
PROJECT NUMBER 468-85285	DESIGN AEG	DRAWN JAK	
REVISIONS:	APPROVED	DATE 5/01/18	
	SCALE Noted		
	SHEET		3 OF 21

C:\Projects\Rocky Ford 2nd Addition_Engineering\SWD_17-12-E891\SWS Plans.dwg